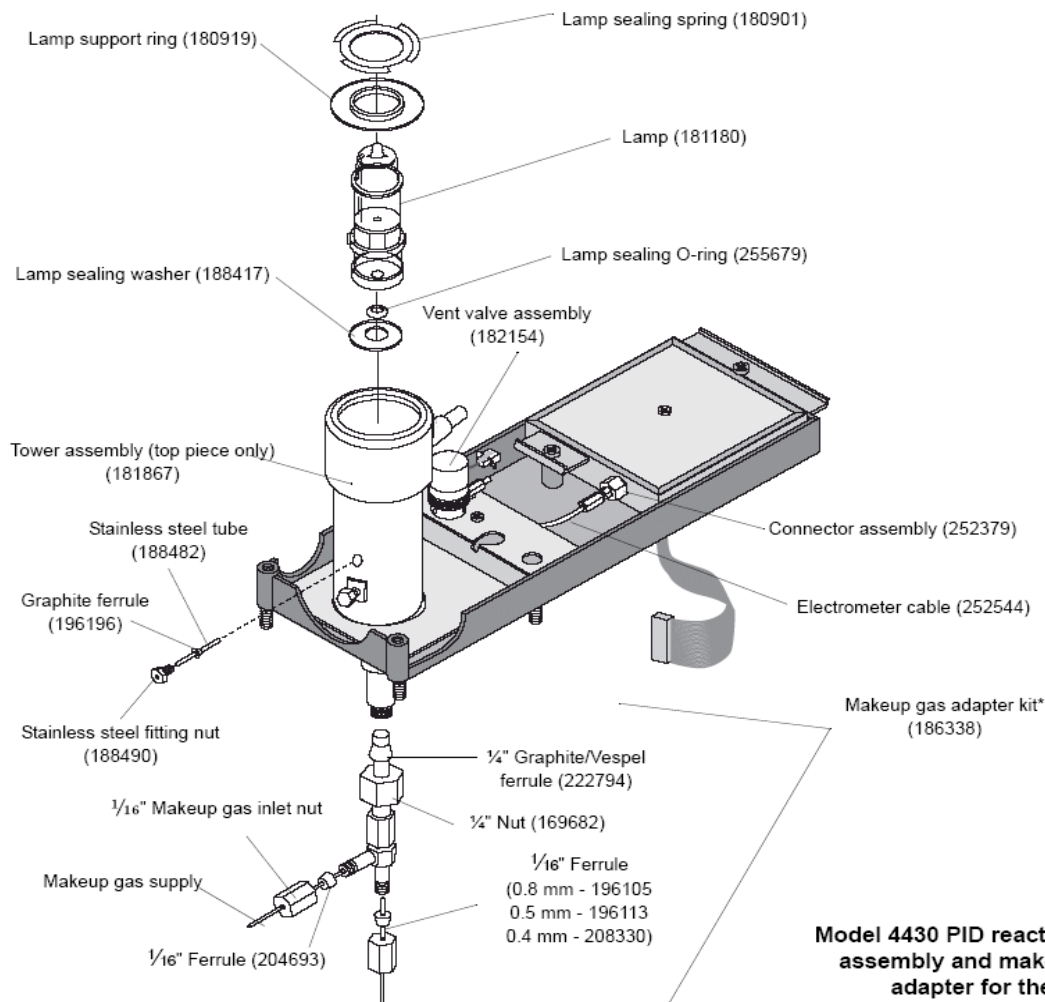


**Model 4430 PID Reactor Base Assy for the Agilent 6890**

<u>Part Number</u>	<u>Description</u>
169682	FTNG-NUT SS 1/4 FEMALE
180901	SPRING-LAMP SEALING 4430
180919	RING-LAMP SUPPORT 4430
181180	LAMP-10.0 EV 4430
181867	TOWER ASSY-SENSOR 4430
182154	VALVE ASSY-VENT 24VDC
182154	VALVE ASSY-VENT 24VDC
186338	ADPTR-CPLRY COL TO 1/4 HP5890
188417	WASHER-LAMP SEALING 4430
188482	TUBE-SS OUTLET RESTRICTOR 4430
188490	FTNG-NUT SS OUTLET RESTRICTOR
195461	VALVE-NEEDLE 10-32/BARB
196105	FRLE-GRP/VSP 1/16*.8MM 10PK
196113	FRLE-GRP/VSP 1/16*.5MM 10PK
196196	FRLE-GRP 1/8*1/16 TUBE 5PK
204693	FRLE-GRP 1/16 TUBE 10PK
208330	FRLE-GRP/VSP 1/16*.4MM 10PK
222794	FRLE-GRP/VSP 1/4 TUBE 10PK
252379	CON ASSY-ELECTROMETER HP6890
252510	TUBE-SS VENT OUTLT HP6890 4430
252544	CABLE-ELCTRMTR HP6890 5.0 IN
255679	O-RINGS PID LAMP 5PK

2299pt.pdf



**Model 4430 PID reactor base assembly and make gas adapter for the Agilent 6890**

\*Kit includes all parts as indicated except the 1/4" nut PN 169682.