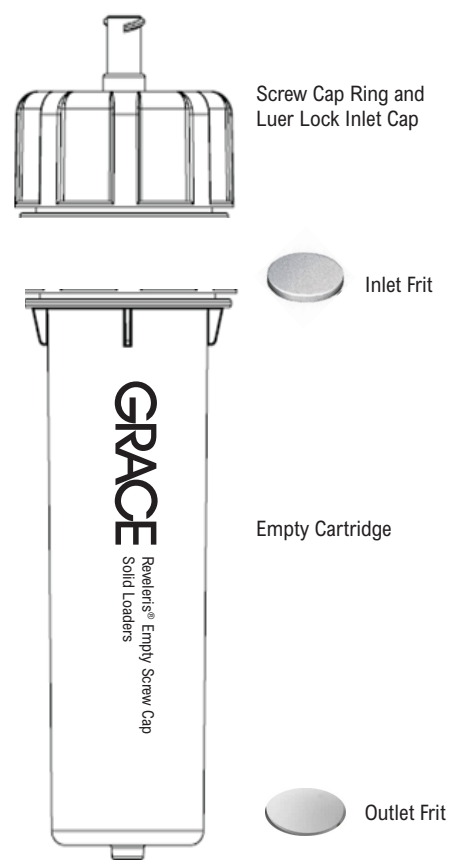


Reveleris® Empty Screw Cap Solid Loaders

Samples that are not readily soluble in the mobile phase, are adsorbed onto a solid phase adsorbent (e.g silica or celite). The adsorbent with the added sample is then placed into an empty solid loader tube, and introduced into the Reveleris® flash chromatography instrument.

Loading a Solid Load Sample

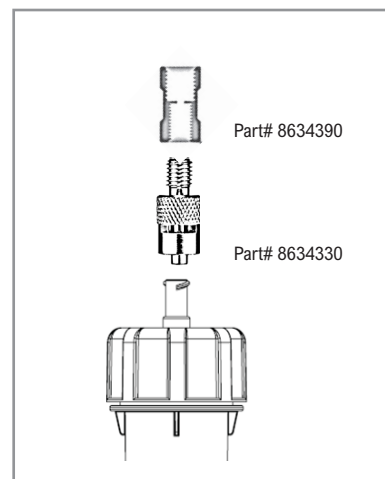
1. Unscrew the cap from the empty cartridge.
2. The bottom (outlet) frit should be pre-installed in the cartridge. The smooth side of the frit should be positioned so it is in contact with the adsorbent bed. If the frit is not installed correctly, push into position using a frit insertion plunger tool. Note that the outlet frit is thinner than the inlet frit.
3. Fill the empty cartridge with the prepared adsorbent/sample mixture.
4. The sample mixture should fill the empty cartridge as much as possible to avoid any empty space above the mixture. If you do not have sufficient sample mixture, consider using a smaller cartridge, or alternatively fill the empty space with silica. Leaving an empty space in the cartridge should not affect the separation, but it will introduce a gradient delay in your chromatography.
5. Place an inlet frit* on top of the adsorbent bed, with the smooth side placed against the adsorbent. (*inlet frit is supplied with the empty cartridge).
6. Push the frit into position using the frit insertion plunger tool.
7. Push the molded luer lock inlet cap into position on top of the packed cartridge.
8. Place the screw cap ring over the inlet cap and screw it tightly onto the cartridge.
9. The cartridge is now ready to connect to the Reveleris® flash chromatography system.



Empty Reveleris® Screw Cap Solid Loader

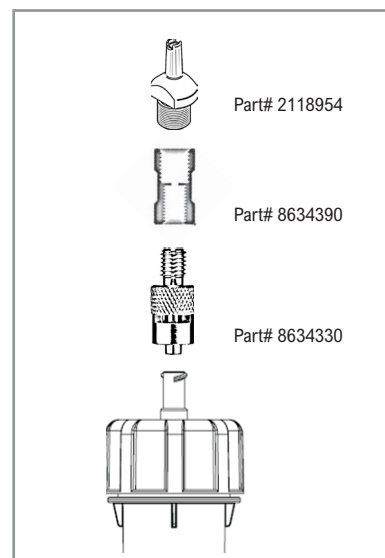
Using a Packed Solid Loader on a Reveleris® X2 Flash Chromatography System

1. Screw a male luer lock to 1/4"-28 adapter (part# 8634330) onto the inlet of the prepacked cartridge.
2. Screw a 1/4"-28 to 5/16"-24 PEEK adapter (part# 8634390) onto the male luer lock adapter.
3. Mount the cartridge with the attached adaptors onto the injection port of the Reveleris® X2 flash chromatography system, turning clockwise until the luer lock outlet is locked in place.
4. Connect the dry loader connection tubing (attached to the left side of the instrument) to the screw head at the top of the PEEK adapter fitted in step 2.
5. The sample is ready for purification. Refer to the Reveleris® X2 flash chromatography system user manual for instructions how to make a dry load injection.



Using a Packed Solid Loader on a Reveleris® Flash Chromatography System with an Automated Injection Arm

1. Screw a male luer lock to 1/4"-28 adapter (part# 8634330) onto the inlet of the prepacked cartridge.
2. Screw a 1/4"-28 to 5/16"-24 PEEK adapter (part# 8634390) onto the male luer lock adapter.
3. Screw a sample luer fitting (part# 2118954) into the 5/16"-24 thread.
4. Mount the cartridge with the attached adaptors onto the injection port of the Reveleris® flash chromatography system, turning clockwise until the luer lock outlet is locked in place.
5. The sample is ready for purification. Refer to the Reveleris® flash chromatography system user manual for instructions how to make a dry load injection. **NOTE:** Ensure the luer adapter is secure and in position of the underside of the syringe arm when lowered.



Description	Qty	Part No.
Reveleris® Empty Screw Cap Solid Loader 12g	Pkg 20	8634331
Reveleris® Empty Screw Cap Solid Loader 20g	Pkg 20	8634340
Reveleris® Empty Screw Cap Solid Loader 40g	Pkg 10	8634332
SS Male Luer Lock to 1/4"-28 fitting (all Reveleris® systems)	Ea	8634330
1/4"-28 to 5/16"-24 PEEK Adapter (all Reveleris® systems)	Ea	8634390
Sample Luer Fitting (for use on a Reveleris® system with an Injection Arm)	Ea	2118954
Frit Insertion Tool for 12g and 20g Cartridges	Ea	5172362
Frit Insertion Tool for 20g and 40g Cartridges	Ea	5172361

Americas
Deerfield, Illinois
Tel: +1 847.282.2049
discoverysciences@
grace.com

Europe
Lokeren, Belgium
Tel: +32 (0)9.340.6564
discoverysciences.EU@
grace.com

India
Pune
Tel: +91 20.6644.9900
pune@grace.com

China
Shanghai
Tel: +86 21.5467.4678
dsbiz.asia@grace.com

Australia
Rowville
Tel: +61 3.9237.6100
discoverysciences.AU@
grace.com

GRACE® is a trademark, registered in the United States and/or other countries, of W. R. Grace & Co.-Conn. GRACE DISCOVERY SCIENCES™ is a trademark of W. R. Grace & Co.-Conn. ALLTECH® and REVELERIS® are trademarks, registered in the United States and/or other countries, of Alltech Associates, Inc. This publication is an independent publication and is not affiliated with, nor has it been authorized, sponsored, or otherwise approved by aforesaid company. This trademark list has been compiled using available published information as of the publication date of this brochure and may not accurately reflect current trademark ownership or status. Alltech Associates, Inc. is a wholly owned subsidiary of W. R. Grace & Co.-Conn. Grace Discovery Sciences is a product group of W. R. Grace & Co.-Conn. Grace Materials Technologies is business segment of W. R. Grace & Co.-Conn. which includes products formerly sold under the Grace Davison brand. © Copyright 2014 W. R. Grace & Co.-Conn. All rights reserved.

Since operating conditions vary significantly, and are not under our control, we disclaim all warranties on the results that may be obtained from the use of our products. W. R. Grace & Co.-Conn. and its subsidiaries cannot be held responsible for any damage or injury occurring as a result of improper installation or use of its products. Grace reserves the right to change prices and/or specifications without prior notification.