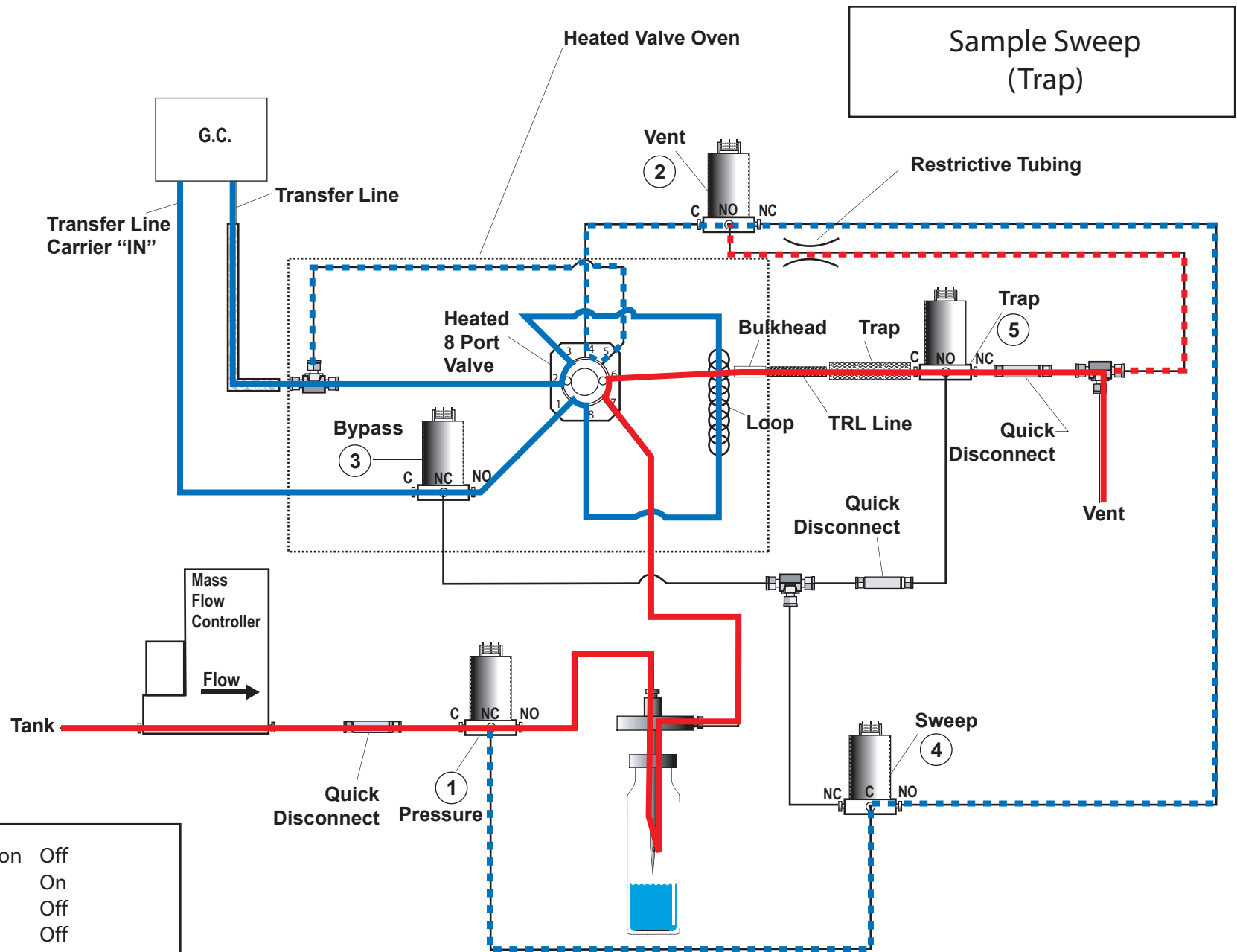
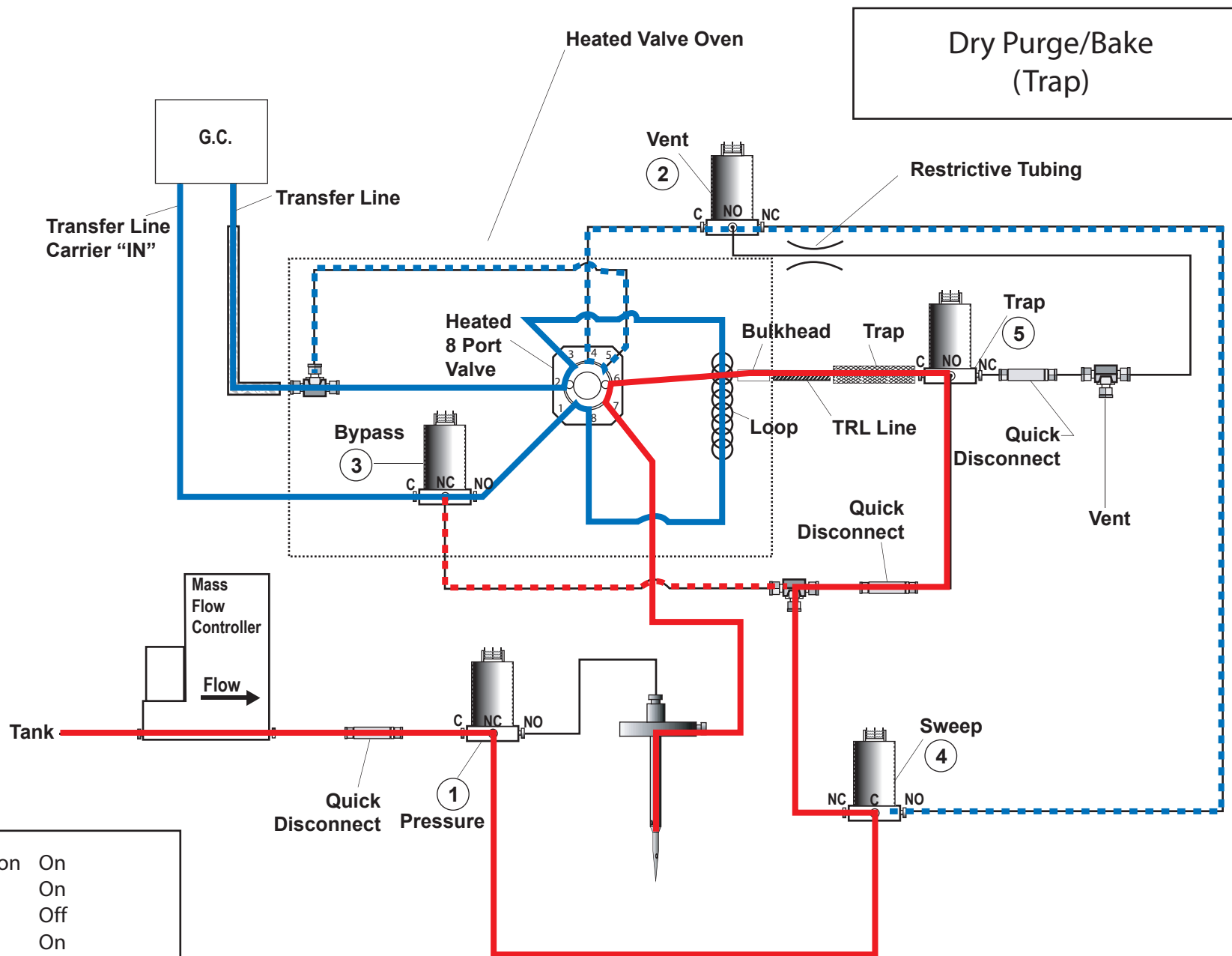


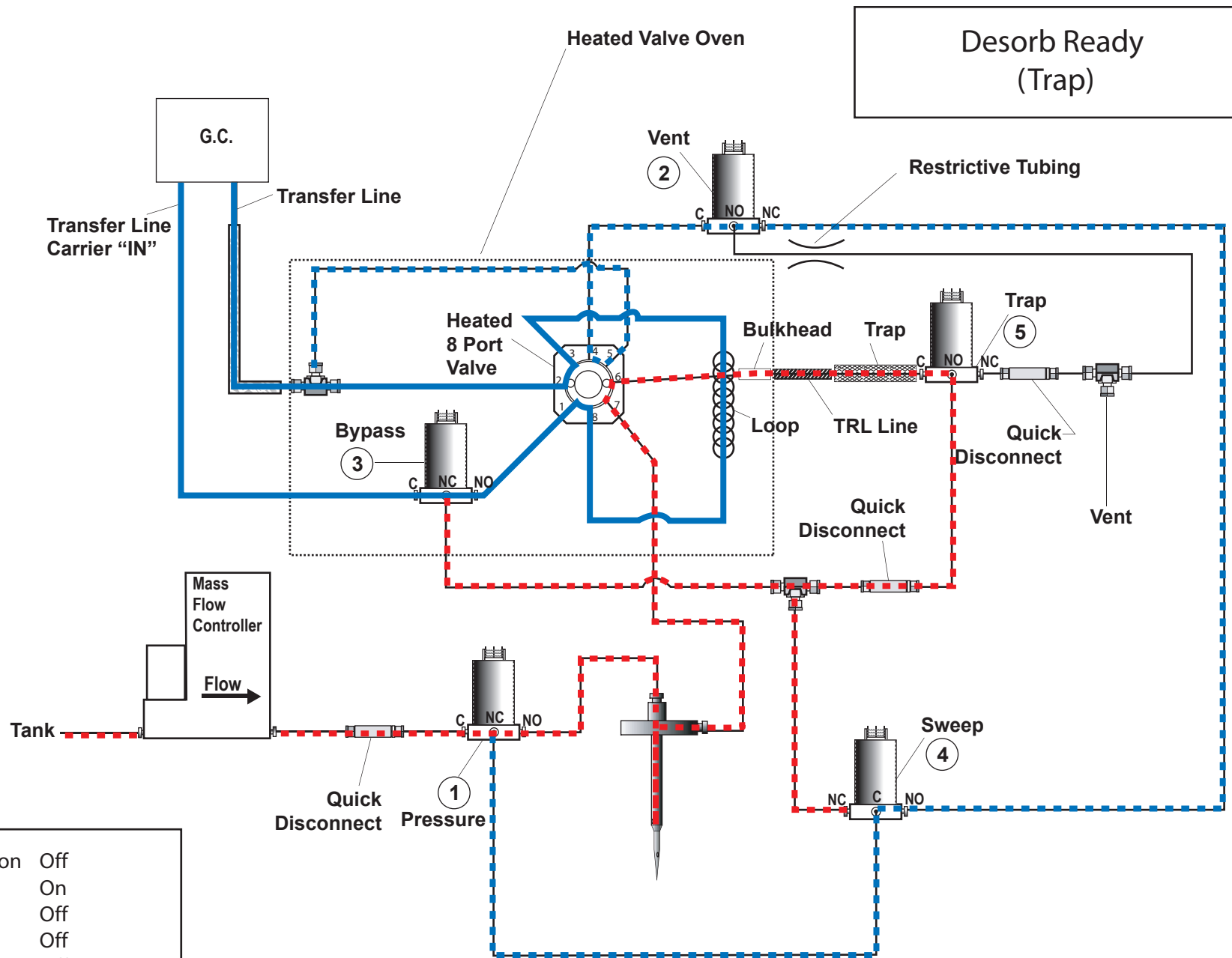
| | |
|----------------|---------|
| Pressurization | On |
| Vent | On |
| Bypass | Off |
| Sweep | Off |
| Trap | Off |
| 8-Port | A |
| MFC | On |
| Needle | No Vial |



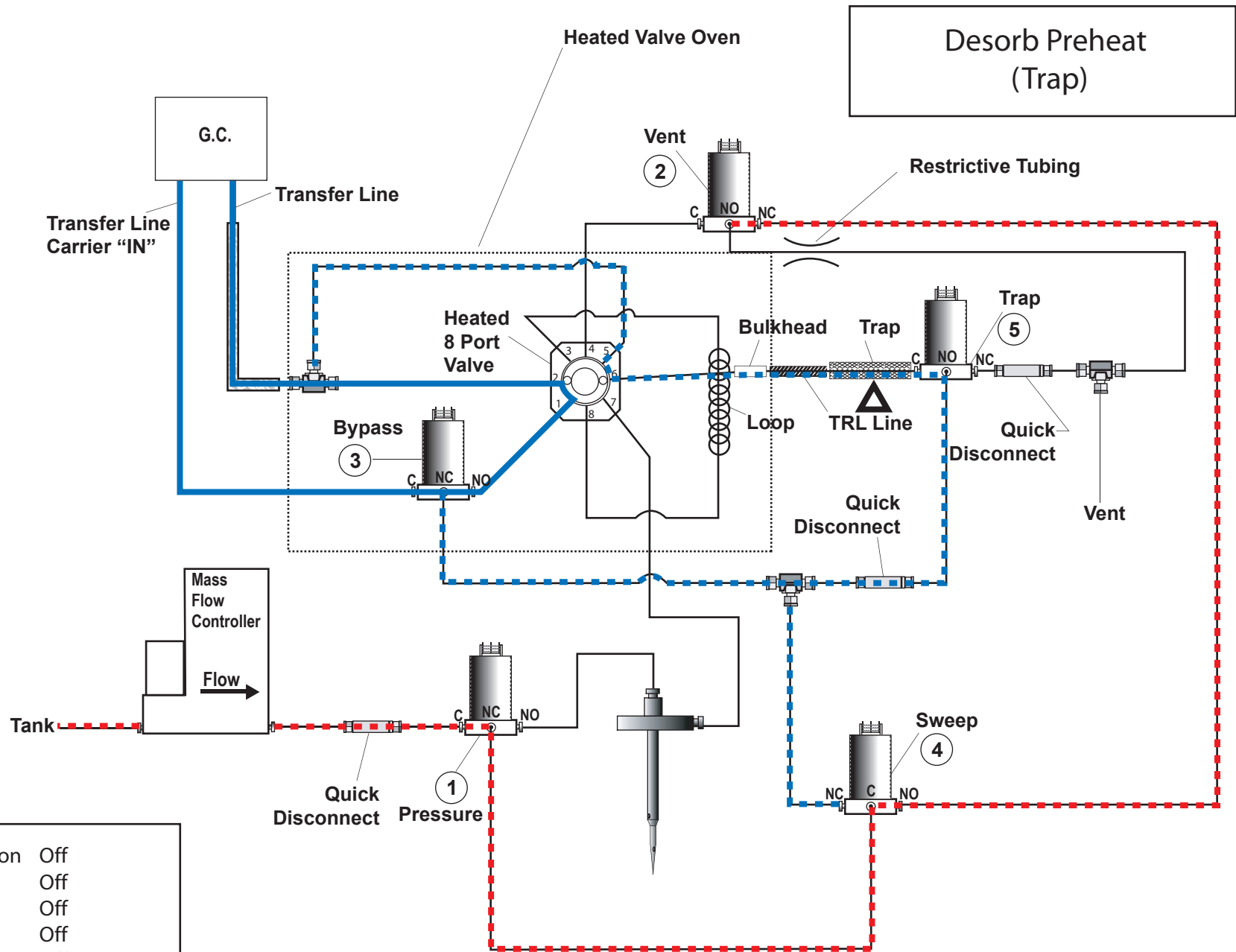
| | |
|----------------|----------------|
| Pressurization | Off |
| Vent | On |
| Bypass | Off |
| Sweep | Off |
| Trap | On |
| 8-Port | B |
| MFC | On |
| Needle | Vial on Needle |



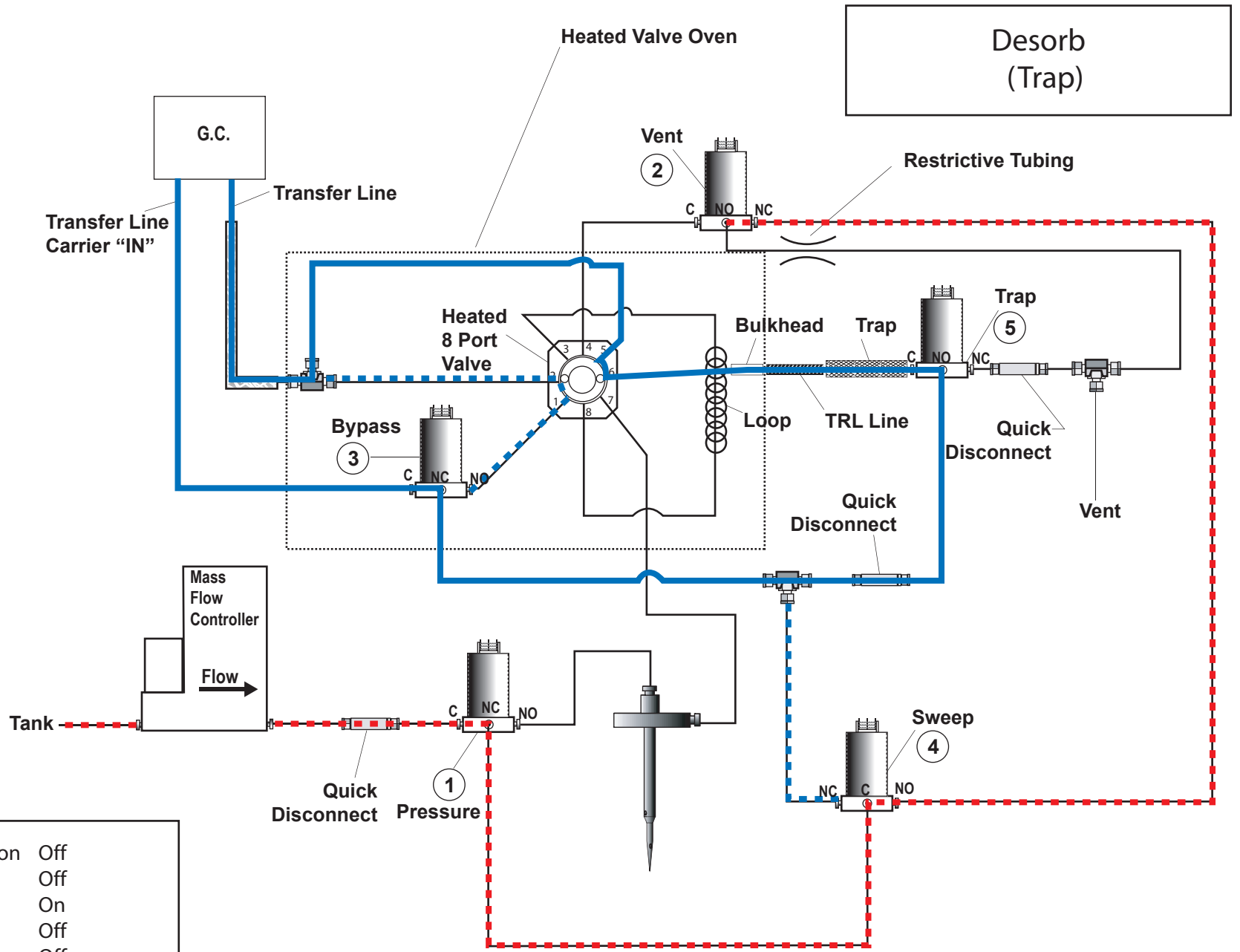
| | |
|----------------|-----------------|
| Pressurization | On |
| Vent | On |
| Bypass | Off |
| Sweep | On |
| Trap | Off |
| 8-Port | B |
| MFC | On |
| Needle | Vial off Needle |



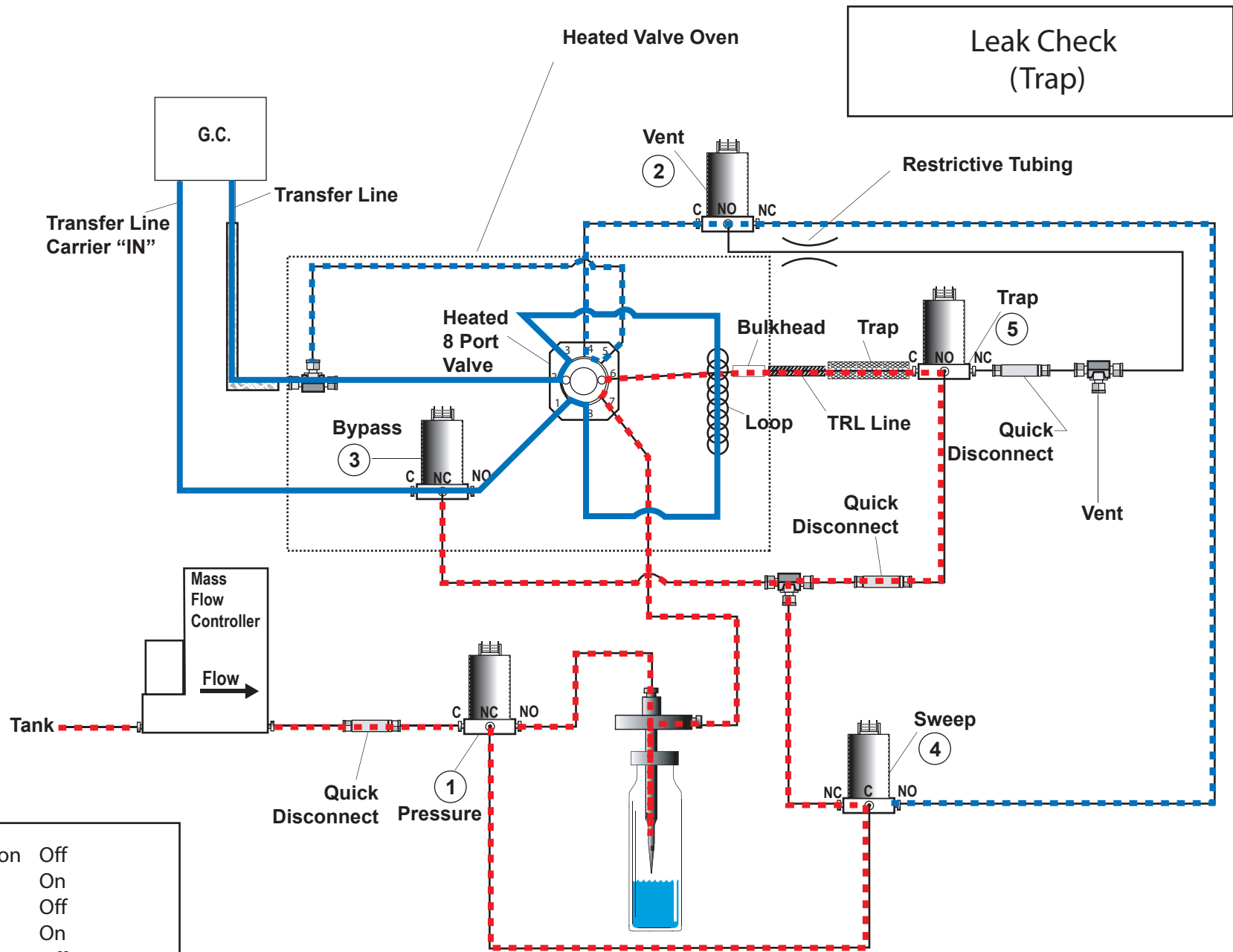
| | |
|----------------|---------|
| Pressurization | Off |
| Vent | On |
| Bypass | Off |
| Sweep | Off |
| Trap | Off |
| 8-Port | B |
| MFC | Off |
| Needle | No Vial |



| | |
|----------------|---------|
| Pressurization | Off |
| Vent | Off |
| Bypass | Off |
| Sweep | Off |
| Trap | Off |
| 8-Port | A |
| MFC | Off |
| Needle | No Vial |



| | |
|----------------|---------|
| Pressurization | Off |
| Vent | Off |
| Bypass | On |
| Sweep | Off |
| Trap | Off |
| 8-Port | A |
| MFC | Off |
| Needle | No Vial |



| | |
|----------------|----------------|
| Pressurization | Off |
| Vent | On |
| Bypass | Off |
| Sweep | On |
| Trap | Off |
| 8-Port | B |
| MFC | Off |
| Needle | Vial On Needle |