

Agilent Instant Pilot Holder for Infinity II Modules

In this note we describe the installation of the Infinity II holder for the Instant Pilot G4208A used on Infinity II series modules.

Content of Kit

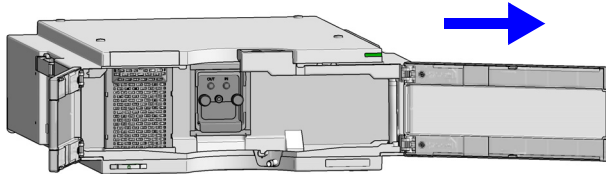
The kit 5067-5955 includes

- Holder Infinity II
- Screw
- Installation Note

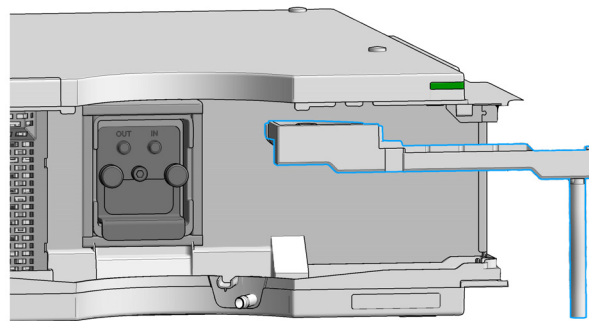
Installation

Refer to the User Manual of your Infinity II module.

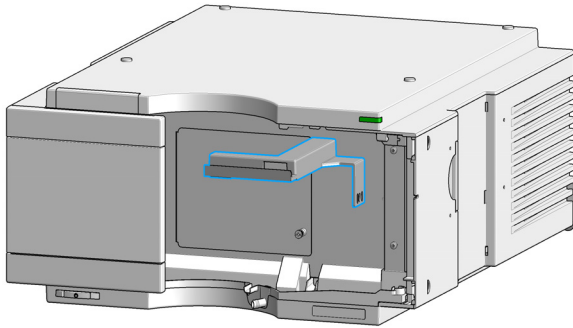
1 Remove the right door of module.



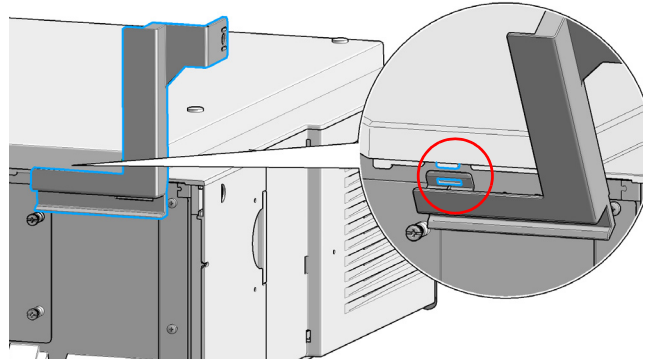
2 Remove the top leak panel.



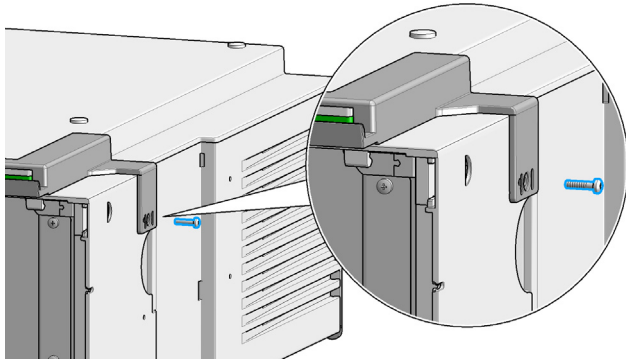
3 The holder must clipped into top cover.



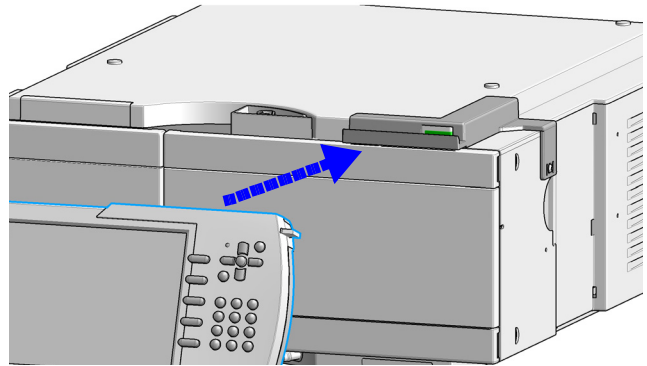
4 Insert the nose in the bottom of the cover into the slit in the holder and fit the holder on the cover.



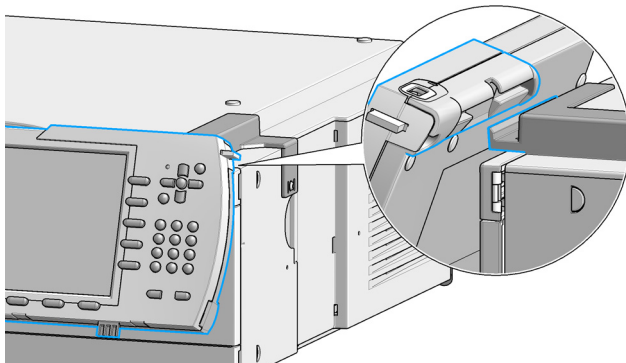
5 Fix the holder with the screw.



6 Re-install the Leak Interface Top and the door.



7 Insert the Instant Pilot into the holder.



8 Connect the CAN cable of the Instant Pilot into a free CAN connector at the rear of the module.

