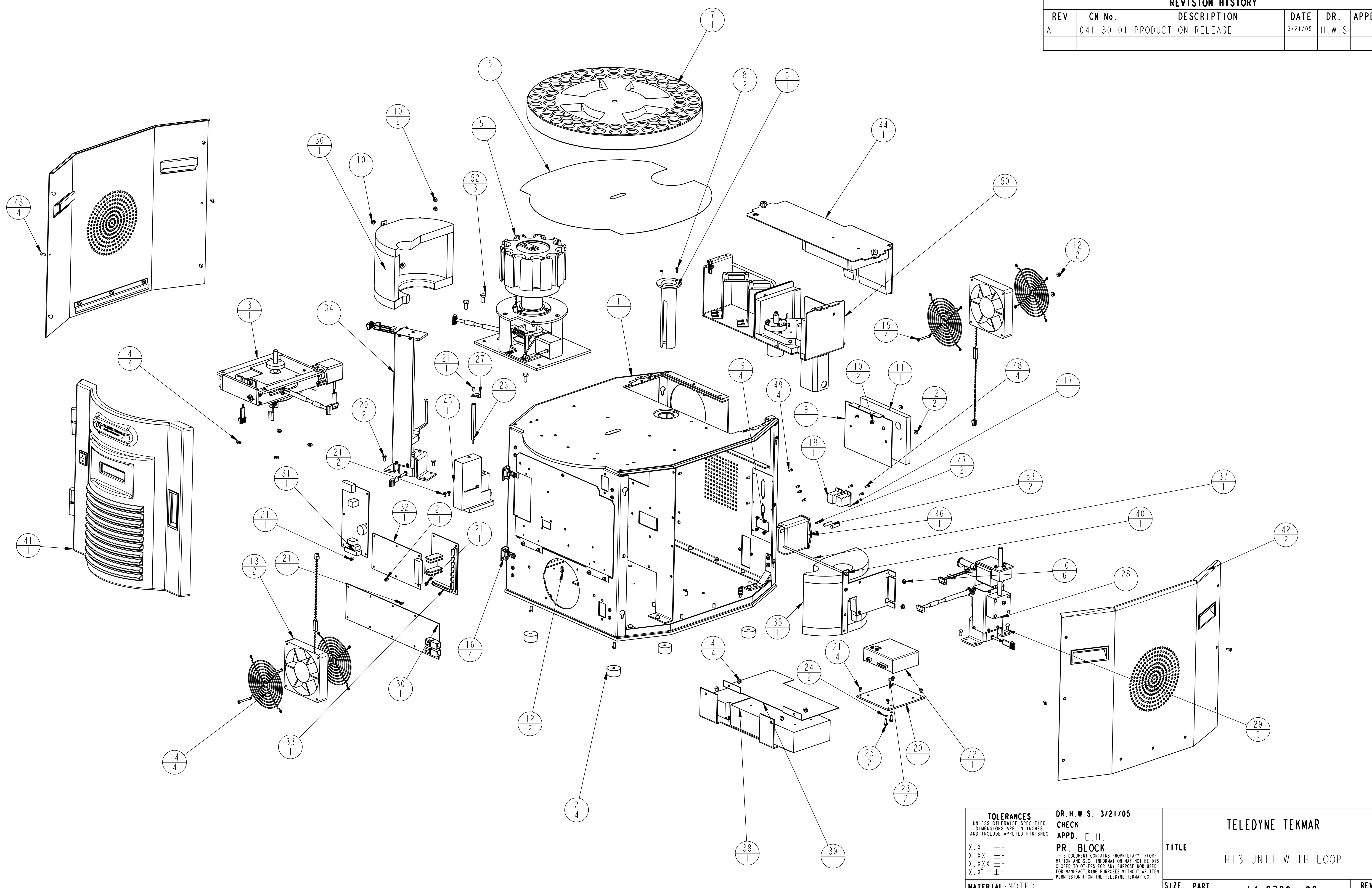


REVISION HISTORY

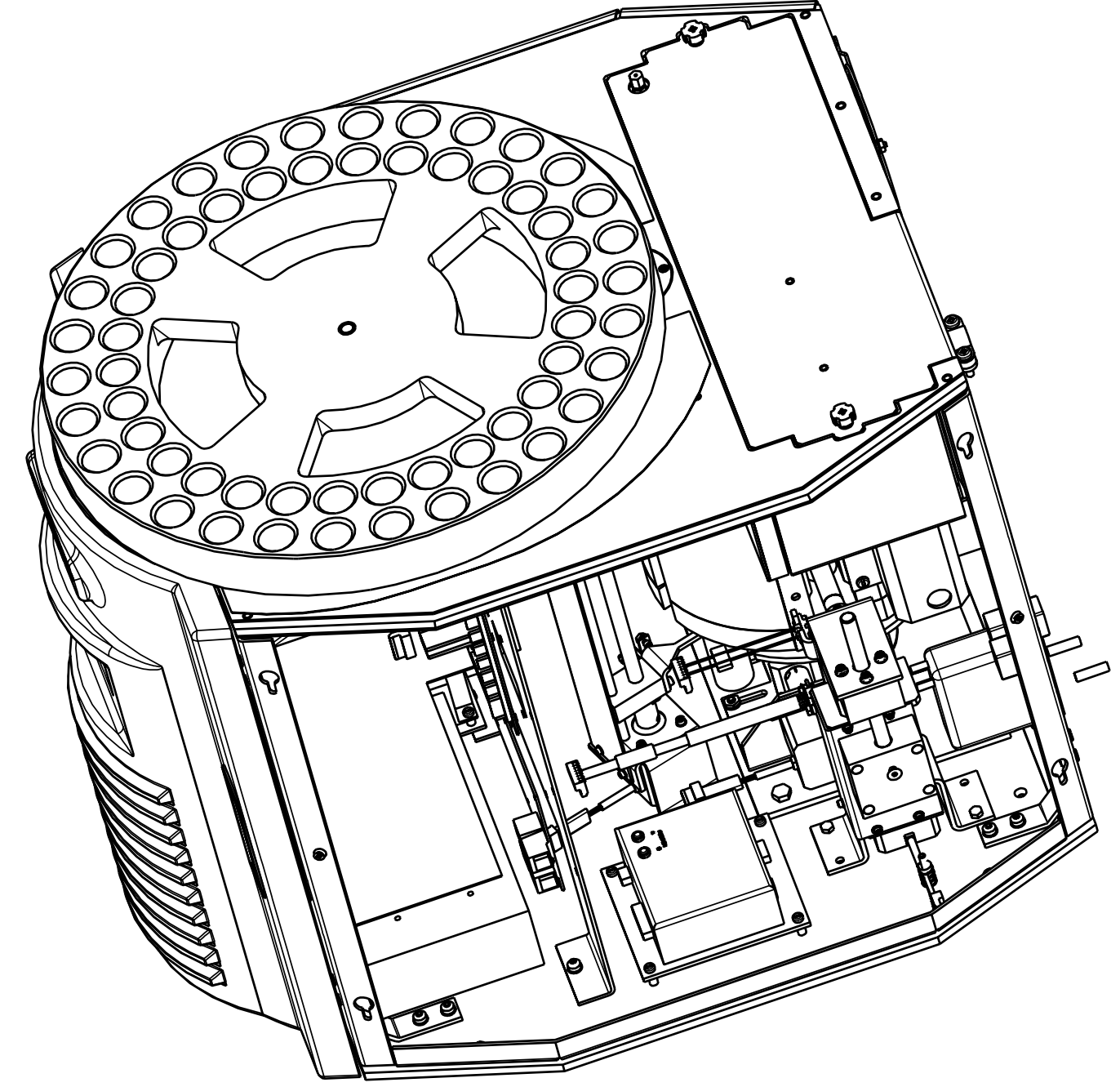
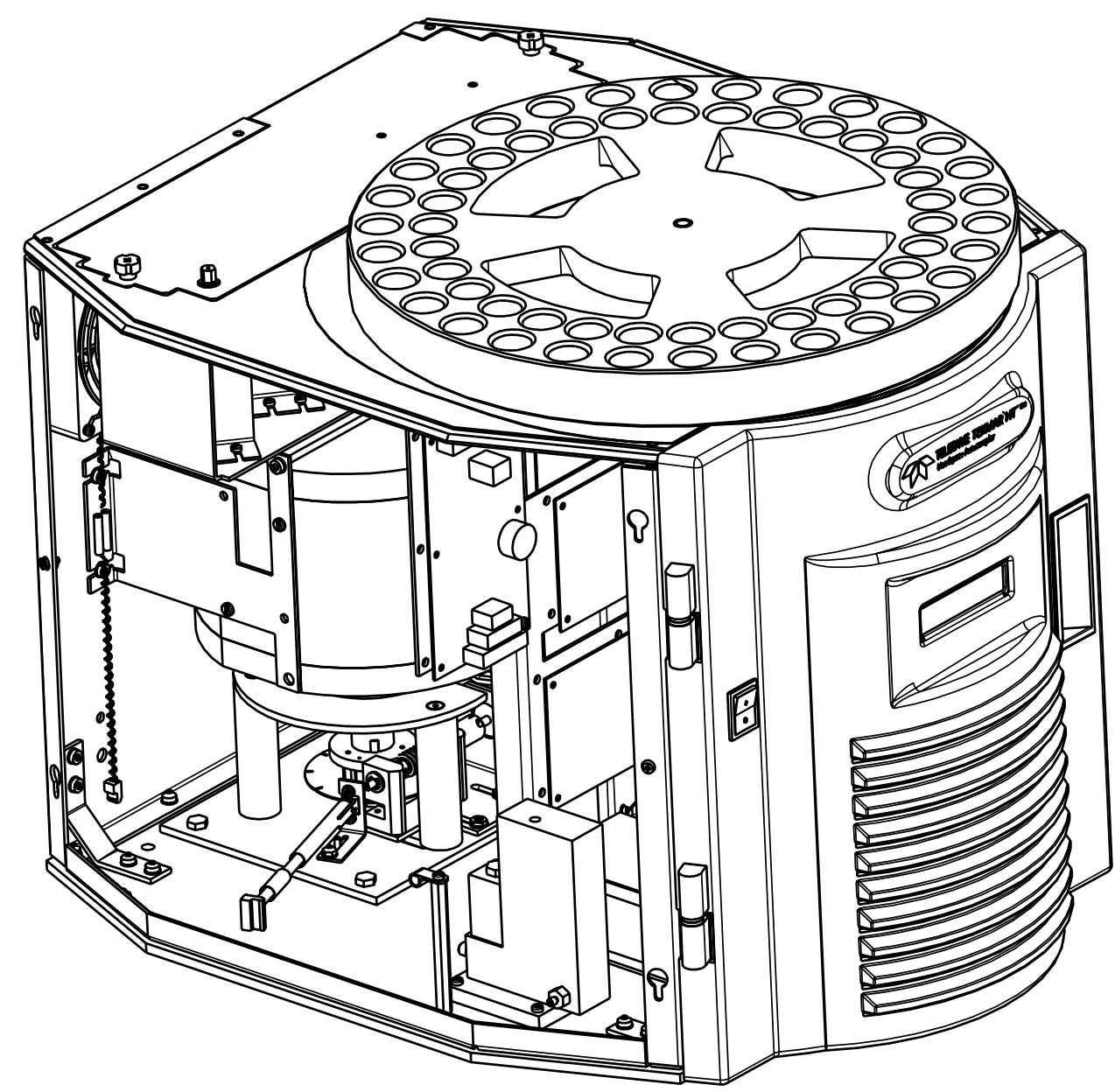
REV	CN No.	DESCRIPTION	DATE	DR.	APPD.
A	041130-01	PRODUCTION RELEASE	3/21/05	H.W.S	



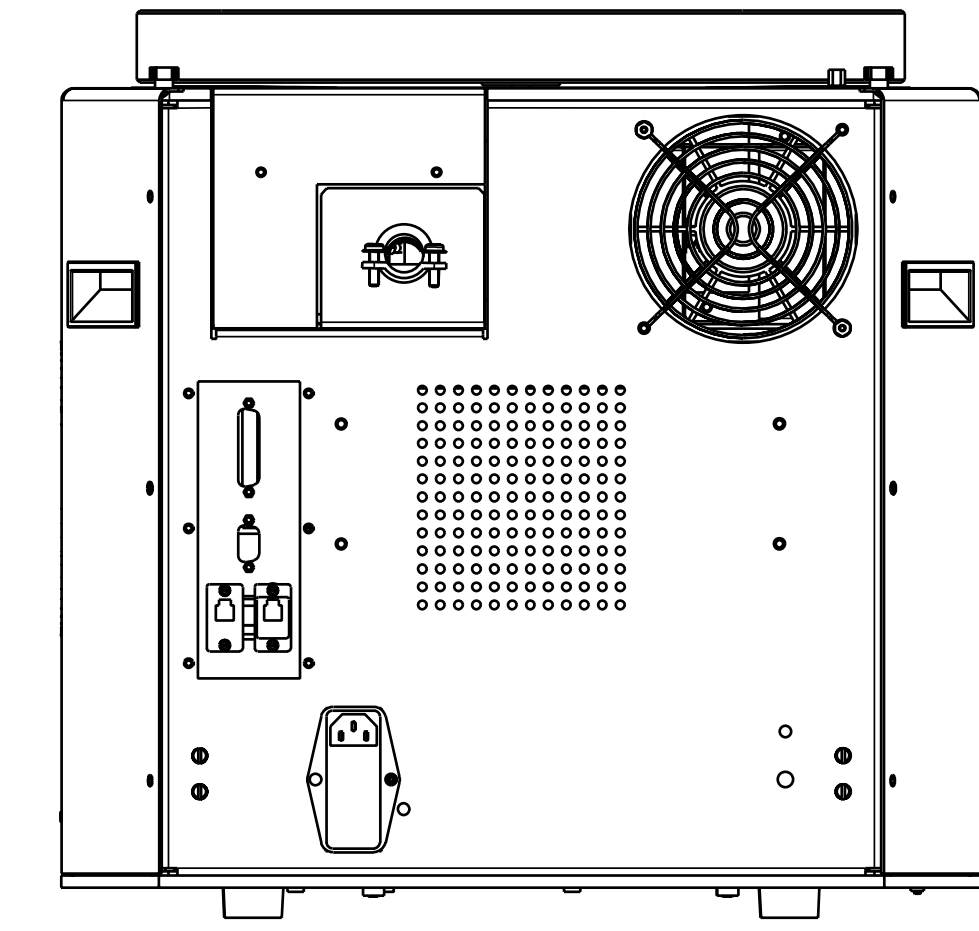
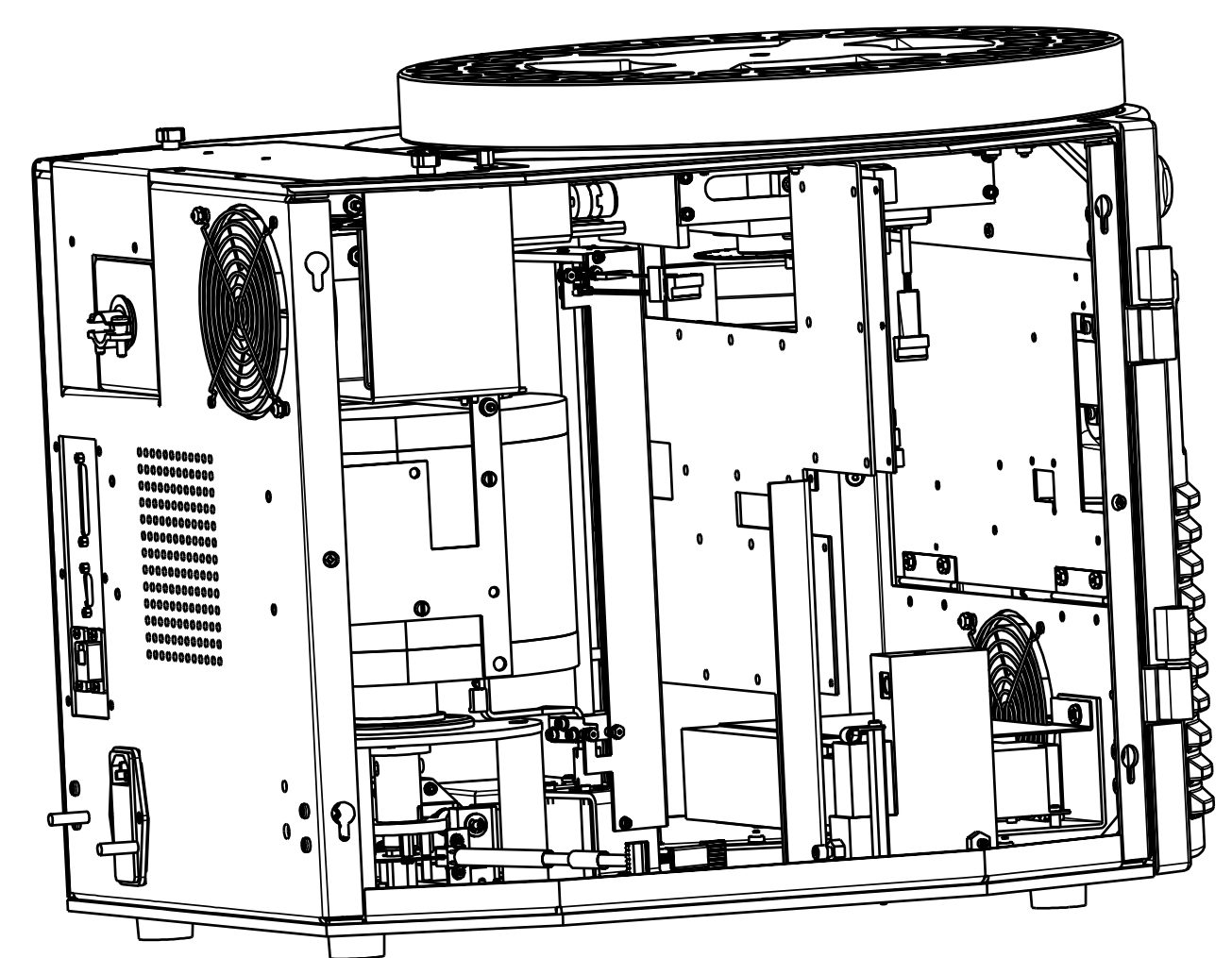
<b>TOLERANCES</b> UNLESS OTHERWISE SPECIFIED DIMENSIONS ARE IN INCHES AND INCLUDE APPLIED FINISHES  X.X ± X.XX ± X.XXX ± X.X° ±  <b>MATERIAL:</b> NOTED  <b>FINISH:</b> -	<b>DR. H.W.S. 3/21/05</b> <b>CHECK</b> <b>APPD. E.H.</b>	<b>TELEDYNE TEKMAR</b>	
	<b>PR. BLOCK</b> <small>THIS DOCUMENT CONTAINS PROPRIETARY INFORMATION AND SUCH INFORMATION MAY NOT BE DISCLOSED TO OTHERS FOR ANY PURPOSE NOR USED FOR MANUFACTURING PURPOSES WITHOUT WRITTEN PERMISSION FROM THE TELEDYNE TEKMAR CO.</small>	<b>TITLE</b> HT3 UNIT WITH LOOP	
<b>SCALE</b> 0.250		<b>SIZE D</b> PART NO. 14-9300-.00	SHEET 1 OF 2

REVISION HISTORY					
REV	CN No.	DESCRIPTION	DATE	DR.	APPD.
A	041130-01	PRODUCTION RELEASE	3/21/05	H.W.S.	

ITEM	PART NUMBER	DESCRIPTION	QTY
1	14-9140-180	CHASSIS	1
2	14-7452-011	BUMPER	4
3	14-9266-000	CAROUSEL, DRIVE ASSEMBLY	1
4	110-619	KEPNUT, #10-32	8
5	14-9265-180	CAROUSEL- VIAL SLIDING PAD	1
6	14-9152-179	TUBE, GUIDE-VIAL	1
7	14-9105-379	CARROUSEL, VIAL-60 POSITION	1
8	14-9399-001	SCREW-6-32 X .375 LG SST LOW HD. SOC. CAP	2
9	14-9142-080	PLATE, INSULATION-MTG.	1
10	110-618	KEPNUT, #8-32	11
11	14-9167-004	INSULATION, OVEN - BACK	1
12	110-617	#6 KEP NUT	6
13	14-9437-000	FAN ASSEMBLY-EXHAUST	2
14	040-655	FAN GUARD	4
15	12-0323-K01	SCREW, #6-32 X 1.50 LG. SL PH. SST	4
16	14-7729-001	SCREW, #10-24 X .25 LG. SL. PHD. SST	4
17	14-9430-035	CONNECTOR, COUPLER-ETHERNET	1
18	14-9429-035	CONNECTOR, STRAIGHT WIRED COUPLER	1
19	110-616	#4-40 KEPNUT	4
20	14-9420-080	PLATE, MTG. - VALCO MODULE	1
21	12-0323-H01	SCREW, #6-32 X .25 LG. SL. PHD. SST	11
22	14-6154-350	CONTROL MODULE, VALCO VALVE	1
23	14-2882-046	SPACER,	2
24	14-0485-009	#4-40 LOCKWASHER INTERNAL	2
25	110-304	SCREW, #8-32 X .50 LG.	2
26	14-9390-046	STANDOFF, COIL WIRE	1
27	14-8619-022	CLAMP, ALUMINUM	1
28	14-9155-000	ELEVATOR / MIXING ASSY	1
29	14-6571-001	10-32 X .50 HEX HD SCREW	8
30	14-9180-090	MOTOR CONTROL P.C.B.	1
31	14-8781-090	D.C. CONTROL-CONCENTRATOR P.C.B.	1
32	14-7835-090	TEMP. CONTROL P.C.B.	1
33	14-9185-090	A.C. CONTROL P.C.B.	1
34	14-9131-000	VIAL / LOADER ASSEMBLY	1
35	14-9392-000	RIGHT HAND INSULATION ASSY	1
36	14-9391-000	LEFT HAND INSULATION ASSY	1
37	14-9352-001	#8-32 ALL-THREAD, INSULATION RETAINER	1
38	14-9153-100	POWER SUPPLY ASSY	1
39	14-9366-080	GUARD, POWER SUPPLY	1
40	14-3539-010	NUT, #8-32 ACORN	1
41	14-9156-000	FRONT PANEL ASSY	1
42	14-9096-000	SIDE PANEL ASSY	2
43	110-212	SCREW, #6-32 X .43 LG. C-SINK	4
44	14-9150-180	PLUMING MODULE, TOP COVER ASSEMBLY	1
45	14-8907-000	M.F.C. ASSY	1
46	14-6273-000	POWER ENTRY MODULE	1
47	110-055	SCREW, #4-40 X .500 LG. C-SINK	2
48	12-0323-801	SCREW, PAN, 4-40X.375, SLOT, SS	4
49	14-9439-035	SCREW KIT	4
50	14-9141-.00	PLUMING MODULE, ASSEMBLY	1
51	14-9240-.00	PLATEN ASSEMBLY, 115VAC	1
52	14-4837-001	SCREW, HEX 1/4-20 X .625 LG	3
53	SEE TABLE	FUSE	2



UNIT VOLTAGE	HT3 LOOP P/N	PLUMBING MODULE P/N	PLATEN P/N	FUSE P/N
115VAC	14-9300-000	14-9141-200	14-9240-100	14-5180-034
230VAC	14-9300-100	14-9141-300	14-9240-200	14-5665-034



NOTES:  
 1) FOR PLUMBING OF HT3 FINAL ASSEMBLY SEE PLUMBING DIAGRAM 14-9300-PIPE.  
 2) FOR ELECTRICAL CONNECTIONS SEE WIRING DIAGRAM 14-9192-088.

<b>TOLERANCES</b> <small>UNLESS OTHERWISE SPECIFIED DIMENSIONS ARE IN INCHES AND INCLUDE APPLIED FINISHES</small>		<b>DR. H.W.S. 3/21/05</b> <b>CHECK</b>		<b>TELEDYNE TEKMAR</b>	
X.X ± X.XX ± X.XXX ± X.X° ±		<b>APPD. E.H.</b> <b>PR. BLOCK</b> <small>THIS DOCUMENT CONTAINS PROPRIETARY INFORMATION AND SUCH INFORMATION MAY NOT BE DISCLOSED TO OTHERS FOR ANY PURPOSE NOR USED FOR MANUFACTURING PURPOSES WITHOUT WRITTEN PERMISSION FROM THE TELEDYNE TEKMAR CO.</small>			
<b>MATERIAL: NOTED</b>		<b>FINISH: -</b>		<b>SIZE D</b>	<b>PART NO.</b> 14-9300-.00
				<b>SCALE</b> 0.250	<b>REV A</b> SHEET 2 OF 2