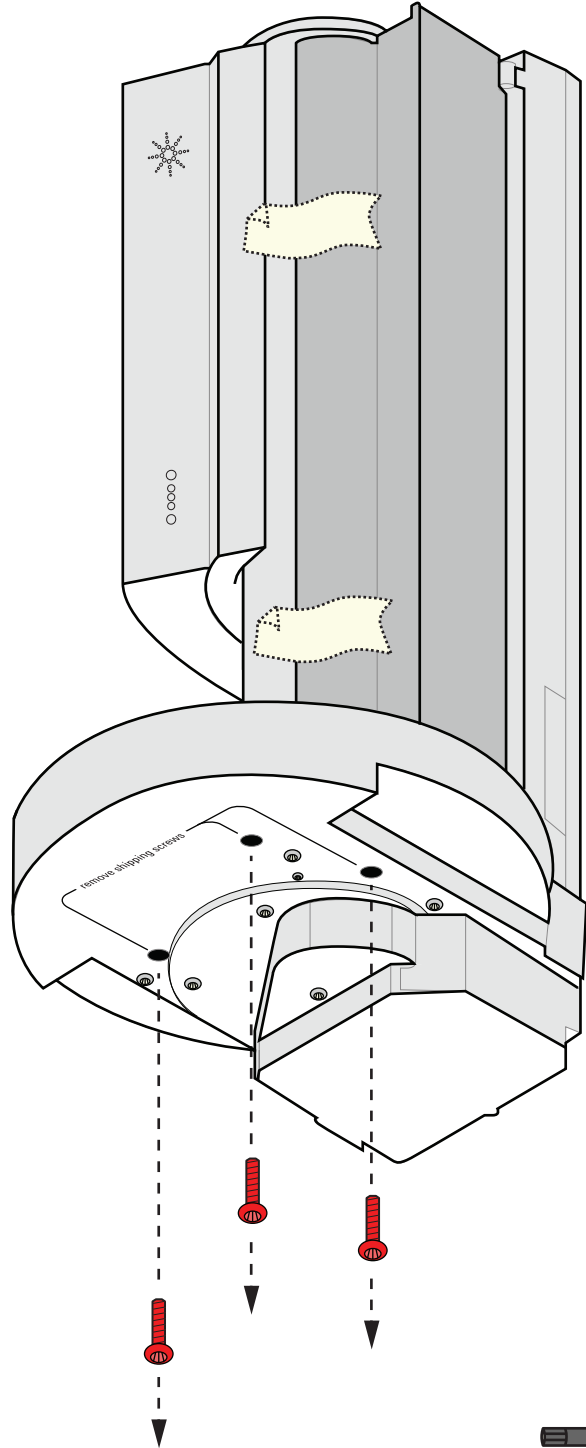
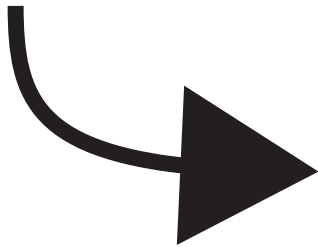
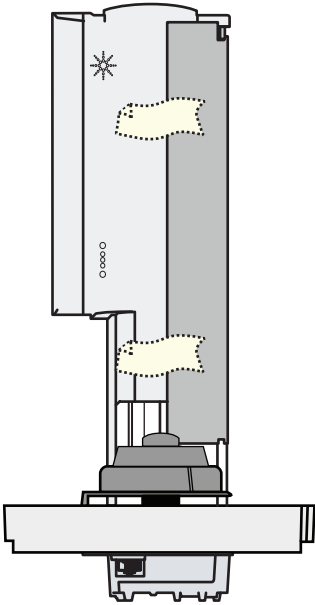
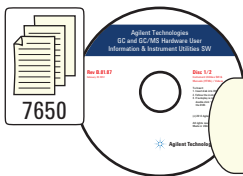
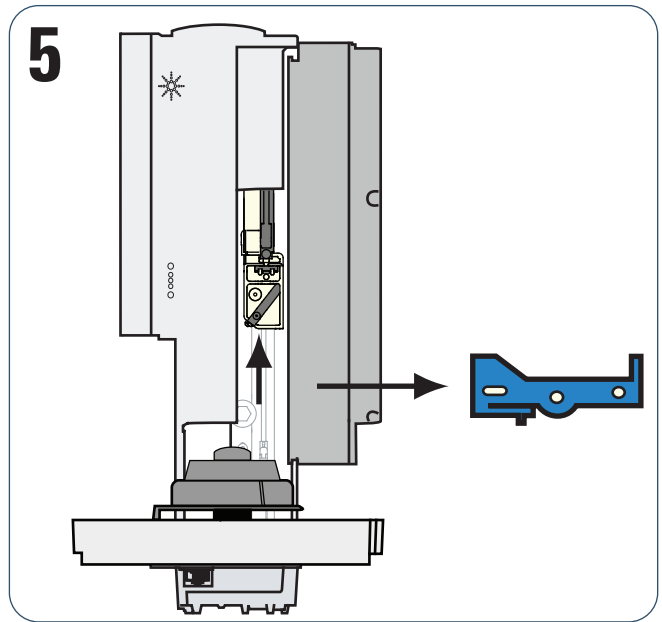
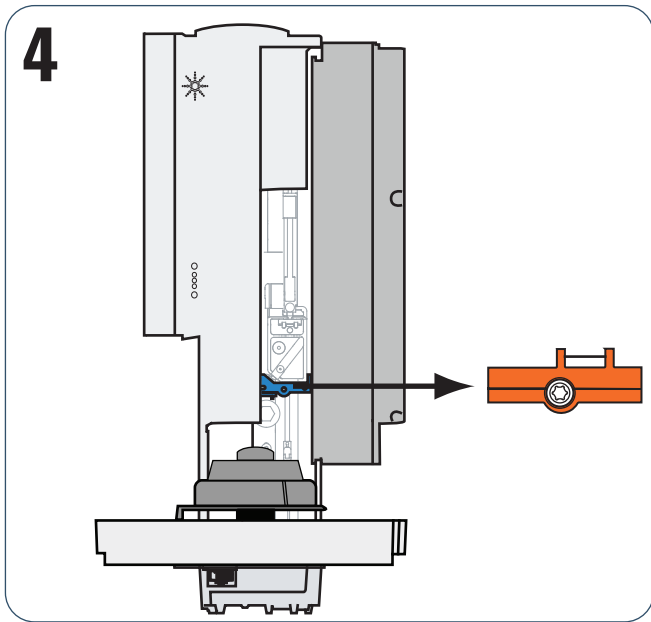
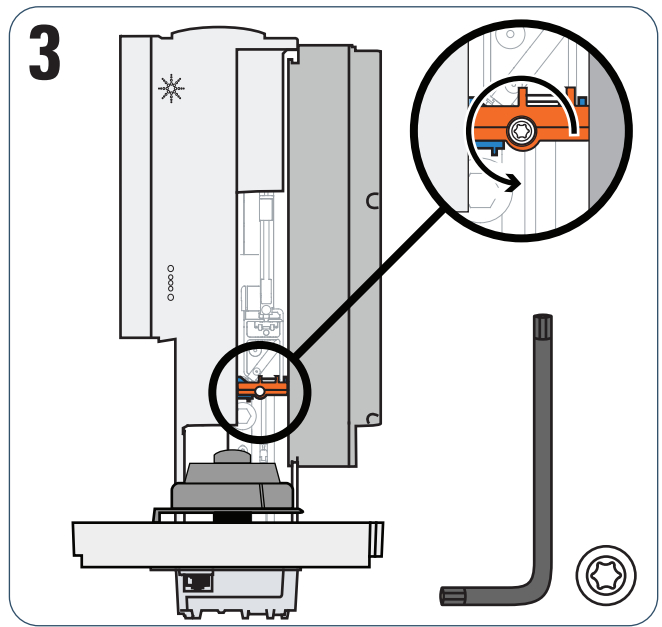
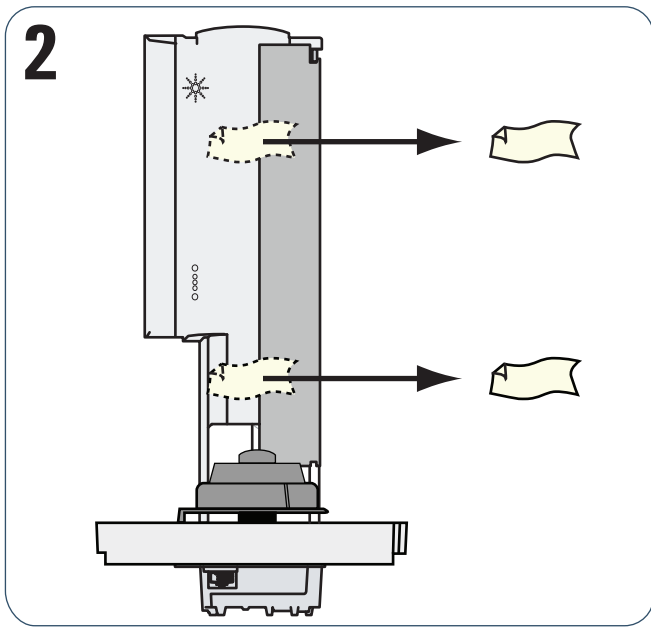




1





Installation instructions and user information are available on the Agilent Technologies GC and GC/MS Hardware User Information & Utilities DVD

© Agilent Technologies, Inc.  
Printed in China, February 2012



G4567-90400 REV A