



Agilent 1260 Infinity Bio-inert Manual Injector

User Manual



Agilent Technologies

Notices

© Agilent Technologies, Inc. 2011-2012

No part of this manual may be reproduced in any form or by any means (including electronic storage and retrieval or translation into a foreign language) without prior agreement and written consent from Agilent Technologies, Inc. as governed by United States and international copyright laws.

Manual Part Number

G5628-90000 Rev. B

Edition

05/12

Printed in Germany

Agilent Technologies
Hewlett-Packard-Strasse 8
76337 Waldbronn

This product may be used as a component of an in vitro diagnostic system if the system is registered with the appropriate authorities and complies with the relevant regulations. Otherwise, it is intended only for general laboratory use.

Warranty

The material contained in this document is provided “as is,” and is subject to being changed, without notice, in future editions. Further, to the maximum extent permitted by applicable law, Agilent disclaims all warranties, either express or implied, with regard to this manual and any information contained herein, including but not limited to the implied warranties of merchantability and fitness for a particular purpose. Agilent shall not be liable for errors or for incidental or consequential damages in connection with the furnishing, use, or performance of this document or of any information contained herein. Should Agilent and the user have a separate written agreement with warranty terms covering the material in this document that conflict with these terms, the warranty terms in the separate agreement shall control.

Technology Licenses

The hardware and/or software described in this document are furnished under a license and may be used or copied only in accordance with the terms of such license.

Restricted Rights Legend

If software is for use in the performance of a U.S. Government prime contract or subcontract, Software is delivered and licensed as “Commercial computer software” as defined in DFAR 252.227-7014 (June 1995), or as a “commercial item” as defined in FAR 2.101(a) or as “Restricted computer software” as defined in FAR 52.227-19 (June 1987) or any equivalent agency regulation or contract clause. Use, duplication or disclosure of Software is subject to Agilent Technologies’ standard commercial license terms, and non-DOD Departments and Agencies of the U.S. Government will

receive no greater than Restricted Rights as defined in FAR 52.227-19(c)(1-2) (June 1987). U.S. Government users will receive no greater than Limited Rights as defined in FAR 52.227-14 (June 1987) or DFAR 252.227-7015 (b)(2) (November 1995), as applicable in any technical data.

Safety Notices

CAUTION

A **CAUTION** notice denotes a hazard. It calls attention to an operating procedure, practice, or the like that, if not correctly performed or adhered to, could result in damage to the product or loss of important data. Do not proceed beyond a **CAUTION** notice until the indicated conditions are fully understood and met.

WARNING

A **WARNING** notice denotes a hazard. It calls attention to an operating procedure, practice, or the like that, if not correctly performed or adhered to, could result in personal injury or death. Do not proceed beyond a **WARNING** notice until the indicated conditions are fully understood and met.

Contents

1	Introduction	5
	Introduction	6
	Bio-inert Materials	8
2	Installing the Manual Injector	11
	Unpacking the Manual Injector	12
	Installing the Manual Injector	14
	Flow Connections	18
	Leak Drainage	19
3	Using the Manual Injector	21
	Injection Seal	22
	Needles	23
	Injecting Sample	24
	Solvent Information	26
4	Maintenance	29
	Cautions and Warnings	30
	Overview of Maintenance	32
	Flushing the Manual Injector	33
	Cleaning the Manual Injector	34
	Exchanging the Injection Valve Seal	35
	Exchanging the injection-valve stator face	37
5	Parts and Materials for Maintenance	39
	Manual Injector	40
	Bio-Inert Manual Injection-Valve Assembly 600 bar	41
	Sample Loops PEEK	42
	Syringes	43
	Accessories and Consumables	44
6	Appendix	45
	Agilent Technologies on Internet	46

Contents



1 Introduction

Introduction 6

Bio-inert Materials 8

Operation and mechanical hardware



Introduction

The Agilent 1260 Infinity Bio-inert Manual Injector G5628A can be used for manual operation or use of large injection volumes. It offers a standard injection volume of 20 μL (optional 5 μL to 5 mL) and ensures highest injection accuracy.

It uses a Bio-inert 6-port sample injection valve. Sample is loaded into the external 20 μL sample loop through the injection port at the front of the valve. The valve has a PEEK injection seal. A make-beforebreak passage in the stator ensures flow is not interrupted when the valve is switched between the INJECT and LOAD positions, and back again.

The valve is mounted on a steel mounting pole, and can be installed at the left or right-hand side of the LC system.

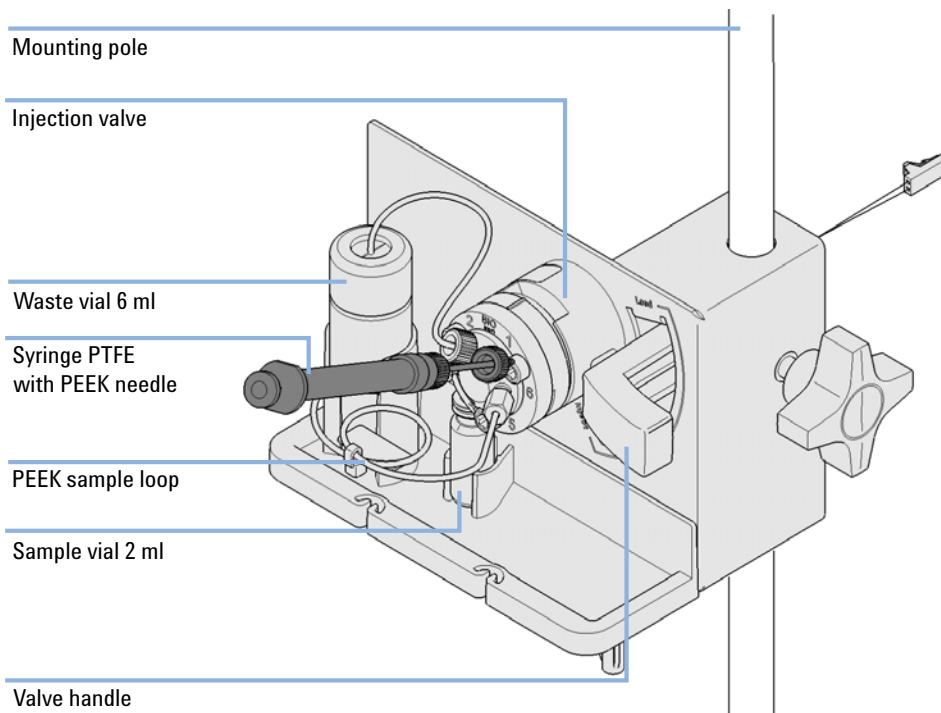


Figure 1 Agilent 1260 Infinity Bio-inert Manual Injector

Bio-inert Materials

For the Agilent 1260 Infinity Bio-inert LC system, Agilent Technologies uses highest quality materials in the flow path (also referred to as wetted parts), which are widely accepted by life scientists, as they are known for optimum inertness towards biological samples and ensure best compatibility to common samples and solvents over a wide pH range. Explicitly, the complete flow path is free of stainless steel and free of other alloys containing metals like iron, nickel, cobalt, chromium, molybdenum or copper, which can interfere with biological samples. The flow downstream of the sample introduction does not contain metals at all.

Table 1 Bio-inert Materials

Module	Materials
Agilent 1260 Infinity Bio-inert Quaternary Pump (G5611A)	Titanium, gold, platinum-iridium, zirconium oxide, ruby, PTFE, PEEK
Agilent 1260 Infinity Bio-inert High-Performance Autosampler (G5667A)	Upstream of sample-introduction: <ul style="list-style-type: none">• Titanium, gold, PTFE, PEEK, zirconium oxide Downstream of sample-introduction: <ul style="list-style-type: none">• PEEK, zirconium oxide
Agilent 1260 Infinity Bio-inert Manual Injector (G5628A)	PEEK, zirconium oxide
Agilent 1260 Infinity Bio-inert Analytical Fraction Collector (G5664A)	PEEK, zirconium oxide, PTFE

Table 1 Bio-inert Materials

Module	Materials
Bio-inert Flow Cells: Standard flow cell bio-inert, 10 mm, 13 µl, 120 bar (12 MPa) for MWD/DAD, includes Capillary Kit Flow Cells BIO (p/n G5615-68755) (p/n G5615-60022) (for Agilent 1260 Infinity Diode Array Detectors DAD G1315C/D)	PEEK, zirconium oxide, sapphire, PTFE
Max-Light Cartridge Cell Bio-inert (10 mm, V(σ) 1.0 µl) (p/n G5615-60018) and Max-Light Cartridge Cell Bio-inert (60 mm, V(σ) 4.0 µl) (p/n G5615-60017) (for Agilent 1290 Infinity Diode Array Detectors DAD G4212A/B)	PEEK, fused silica
Bio-inert flow cell, 8 µL, 20 bar (pH 1–12) includes Capillary Kit Flow Cells BIO (p/n G5615-68755) (p/n G5615-60005) (for Agilent 1260 Infinity Fluorescence Detector FLD G1321B)	PEEK, fused silica, PTFE
Bio-inert heat-exchanger G5616-60050 for 1290 Infinity Thermostatted Column Compartment (G1316C)	PEEK (steel-cladded)
Bio-inert Valve heads	G4235A, G5631A, G5639A: PEEK, ceramic (Al ₂ O ₃ based)
Bio-inert Connection capillaries	Upstream of sample-introduction: <ul style="list-style-type: none"> • Titanium Downstream of sample-introduction: <ul style="list-style-type: none"> • Agilent uses stainless-steel-cladded PEEK capillaries, which keep the flow path free of steel and provide pressure stability to more than 600 bar.

For ensuring optimum bio-compatibility of your Agilent 1260 Infinity Bio-inert LC system, do not include non-inert standard modules or parts to the flow path. Do not use any parts that are not labeled as Agilent “Bio-inert”. For solvent compatibility of these materials, see [“Solvent information for parts of the 1260 Infinity Bio-inert LC system”](#) on page 26.

1 Introduction
Bio-inert Materials



2 Installing the Manual Injector

Unpacking the Manual Injector	12
Damaged Packaging	12
Delivery Checklist	13
Installing the Manual Injector	14
Flow Connections	18
Leak Drainage	19

Installation of the manual injector



Unpacking the Manual Injector

Damaged Packaging

Upon receipt of your manual injector, inspect the shipping containers for any signs of damage. If the containers or cushioning material are damaged, save them until the contents have been checked for completeness and the manual injector has been mechanically checked. If the shipping container or cushioning material is damaged, notify the carrier and save the shipping material for the carriers inspection.

Delivery Checklist

Ensure all parts and materials have been delivered with the manual injector. The delivery checklist is shown in “[Delivery Checklist](#)” on page 13. To aid in parts identification, please see “[Parts and Materials for Maintenance](#)” on page 39. Please report missing or damaged parts to your local Agilent Technologies sales and service office.

Table 2 Bio-inert Manual Injector Checklist

Description	Quantity
Bio-inert Manual injector Handling kit, incl. valve, leak tray, connector cable	1
Mounting pole, stainless steel (p/n 5001-3738)	1
PEEK/SST cap 0.17 mm ID, 500 mm long (p/n G5667-60501)	1
Base plate (p/n G1328-44111)	1
Organizer plate (p/n 5042-8553)	1
Catch tube cap (p/n 5042-8576)	1
Syringe, 50 µL, PTFE FN luer lock (p/n 5190-1506)	1
Sample loop 20 µL (p/n 0101-1239)	1
PEEK luer lock needle AY (p/n 5190-0924)	1
Agilent LC Hardware Documentation DVD (p/n G4800-64500)	1

Installing the Manual Injector

CAUTION

"Defective on arrival" problems

If there are signs of damage, please do not attempt to install the module. Inspection by Agilent is required to evaluate if the instrument is in good condition or damaged.

- Notify your Agilent sales and service office about the damage.
- An Agilent service representative will inspect the instrument at your site and initiate appropriate actions.

NOTE

The manual injector can be installed at the left- or right-hand side of the instrument stack.

- 1 Place the baseplate on the bench.
- 2 Connect the two organizer plates to the base plate.

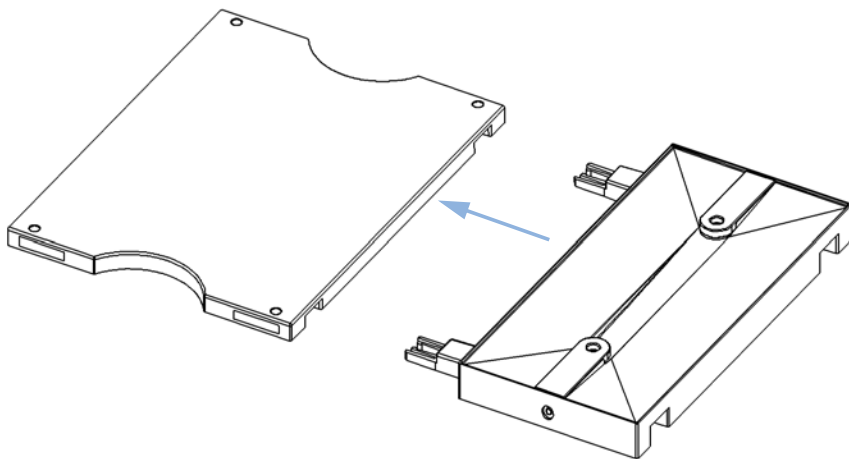


Figure 2 Connecting the Organizer Plates

- 3 Screw the mounting pole into one of the two holes in the organizer plate.

- 4 Slide the manual injector onto the mounting pole. Tighten the mounting screw.

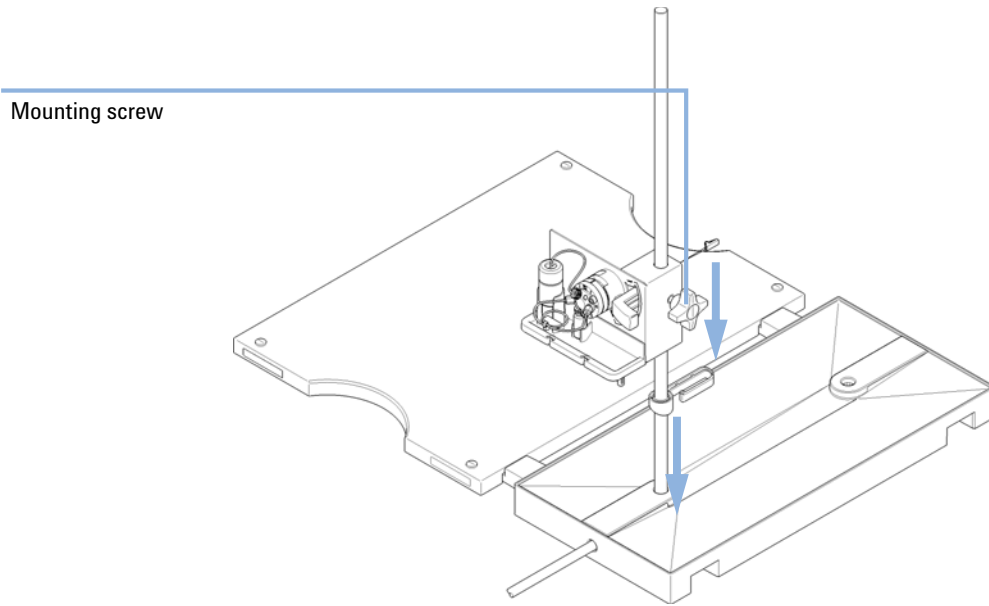


Figure 3 Installing the Mounting Pole and Manual Injector

2 Installing the Manual Injector

Installing the Manual Injector

- 5 Install other system modules on top of the manual injector baseplate.

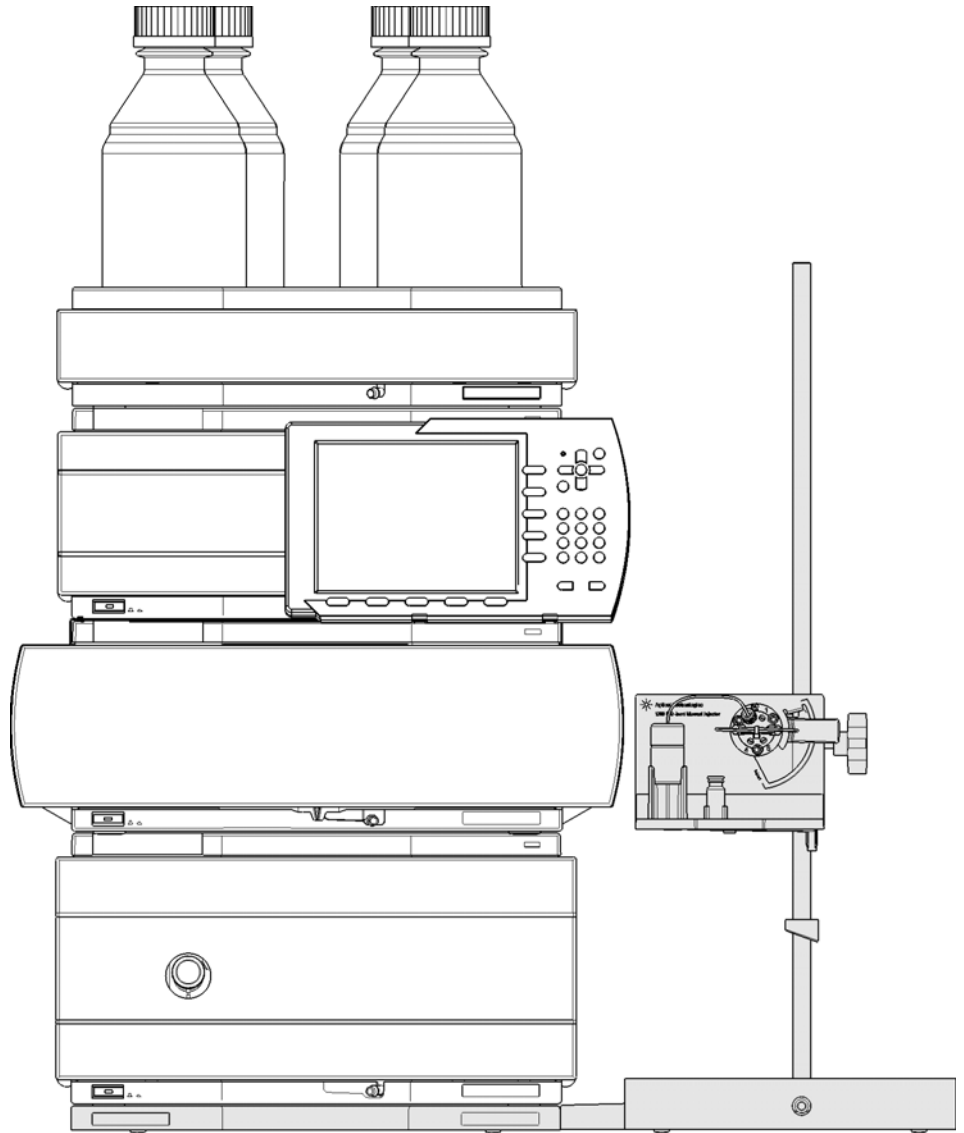


Figure 4 Installing the System

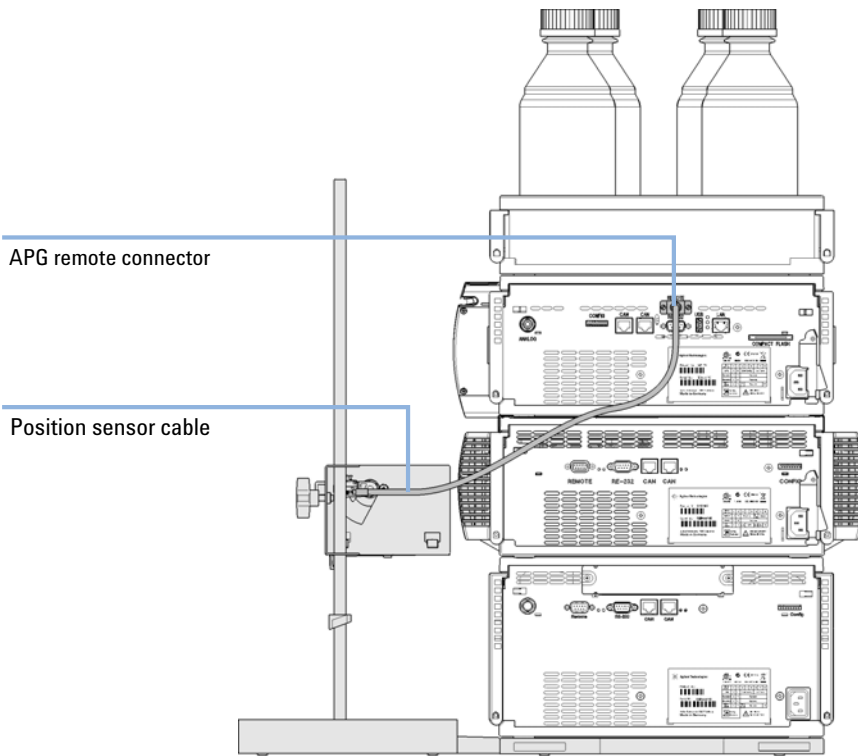


Figure 5 Installing the Start Cable

- 6** Connect the capillaries to the manual injector (see “[Flow Connections](#)” on page 18).

Flow Connections

WARNING

Toxic, flammable and hazardous solvents, samples and reagents

The handling of solvents, samples and reagents can hold health and safety risks.

- When working with these substances observe appropriate safety procedures (for example by wearing goggles, safety gloves and protective clothing) as described in the material handling and safety data sheet supplied by the vendor, and follow good laboratory practice.
- The volume of substances should be reduced to the minimum required for the analysis.
- Do not operate the instrument in an explosive atmosphere.

- 1 Connect the pump outlet capillary to port 5.
- 2 Connect the column-compartment inlet capillary to port 4.
- 3 Connect the sample loop between ports 3 and 6.

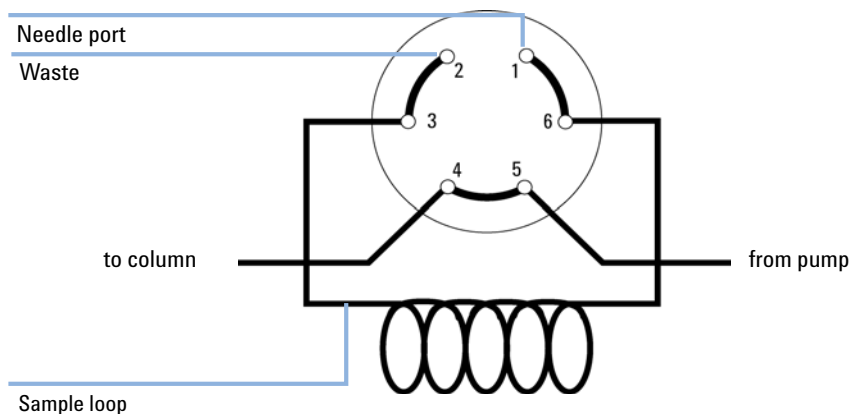


Figure 6 LOAD Position

Leak Drainage

WARNING

Leaking injector fittings

In the event of a leak, solvent will drop into the leak channel in the baseplate, from where it is channelled to the front and back of the baseplate.

→ Check the manual injector fittings periodically for signs of leakage.

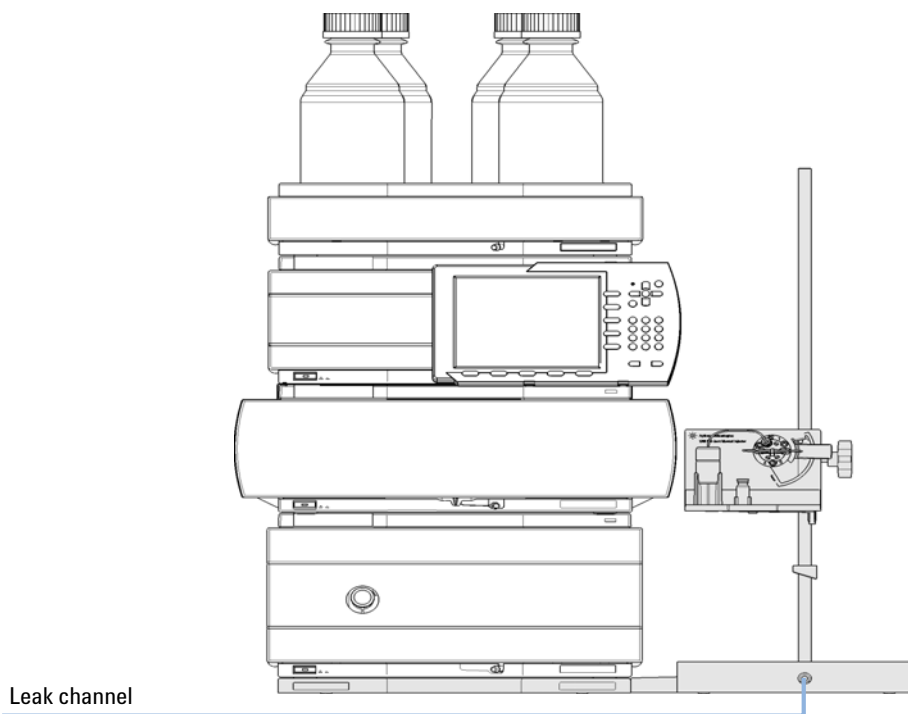


Figure 7 Leak Drainage

2 Installing the Manual Injector

Leak Drainage



3 Using the Manual Injector

Injection Seal	22
Needles	23
Injecting Sample	24
Solvent Information	26

How to use the manual injector



3 Using the Manual Injector Injection Seal

Injection Seal

The Bio-inert Manual Injector is supplied with a PEEK injection seal.

Needles

CAUTION

Needle can damage valve

→ Always use the correct needle size.

Injecting Sample

WARNING

Ejection of mobile phase

When using sample loops larger than 100 μl , mobile phase may be ejected from the needle port as the mobile phase in the sample loop decompresses.

- Please observe appropriate safety procedures (for example, goggles, safety gloves and protective clothing) as described in the material handling and safety data sheet supplied by the solvent vendor, especially when toxic or hazardous solvents are used.

LOAD Position

In the LOAD position (see [Figure 8](#) on page 24), the pump is connected directly to the column (ports 4 and 5 connected), and the needle port is connected to the sample loop. At least 2 to 3 sample-loop volumes (more if better precision is required) of sample should be injected through the needle port to provide good precision. The sample fills the loop, and excess sample is expelled through the waste tube connected to port 2.

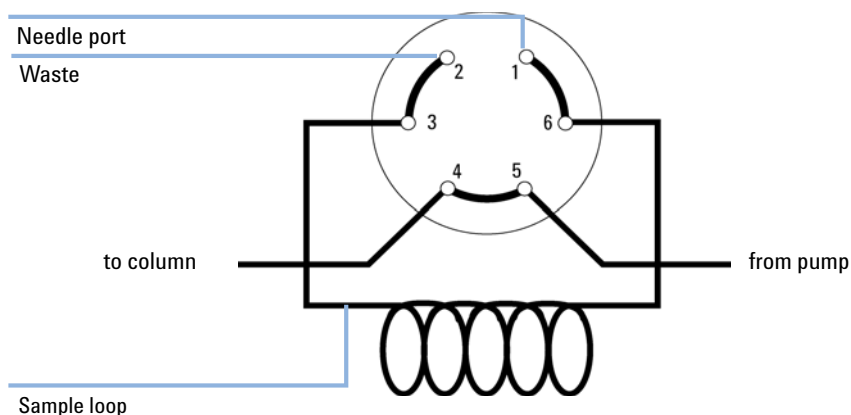


Figure 8 LOAD Position

INJECT Position

In the INJECT position (see [Figure 9](#) on page 25), the pump is connected to the sample loop (ports 5 and 6 connected). All of the sample is washed out of the loop onto the column. The needle port is connected to the waste tube (port 2).

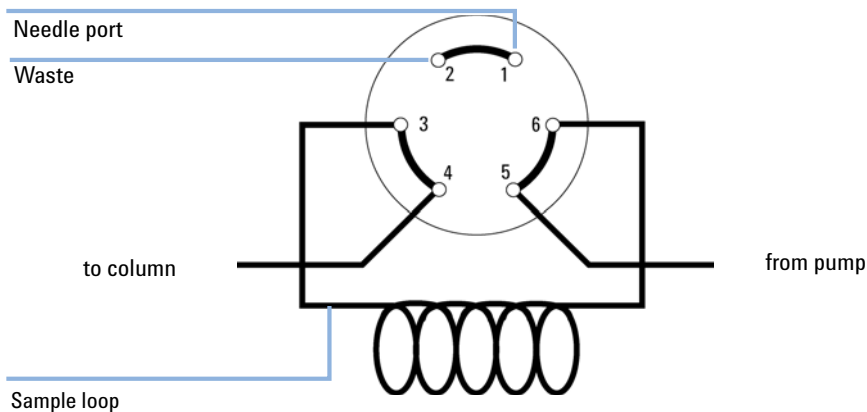


Figure 9 INJECT Position

Solvent Information

Solvent Information

Observe the following recommendations on the use of solvents.

- Follow recommendations for avoiding the growth of algae, see pump manuals.
- Small particles can permanently block capillaries and valves. Therefore always filter solvents through 0.4 µm filters.
- Avoid or minimize the use of solvents, which may corrode parts in the flow path. Consider specifications for the pH range given for different materials like flow cells, valve materials etc. and recommendations in subsequent sections.

Solvent information for parts of the 1260 Infinity Bio-inert LC system

For the Agilent 1260 Infinity Bio-inert LC system, Agilent Technologies uses highest quality materials (see “[Bio-inert Materials](#)” on page 8) in the flow path (also referred to as wetted parts), which are widely accepted by life scientists, as they are known for optimum inertness towards biological samples and ensure best compatibility to common samples and solvents over a wide pH range. Explicitly, the complete flow path is free of stainless steel and free of other alloys containing metals like iron, nickel, cobalt, chromium, molybdenum or copper, which can interfere with biological samples. The flow downstream of the sample introduction does not contain metals at all.

However there are no materials, which combine suitability for versatile HPLC instrumentation (valves, capillaries, springs, pump heads, flow cells etc.) with complete compatibility to all possible chemicals and application conditions. This section gives recommendations, which solvents should be preferred. Chemicals which are known to cause issues should be avoided or exposure should be minimized, e.g. for short term cleaning procedures. After using potentially aggressive chemicals, the system should be flushed with compatible standard HPLC solvents.

PEEK

PEEK (Polyether-Ether Ketones) combines excellent properties regarding biocompatibility, chemical resistance, mechanical and thermal stability and is therefore the material of choice for biochemical instrumentation. It is stable in the specified pH range and inert to many common solvents. There is still a number of known incompatibilities to chemicals like chloroform, methylene chloride, THF, DMSO, strong acids (nitric acid > 10 %, sulphuric acid > 10 %, sulfonic acids, trichloroacetic acid), halogenes or aqueous halogene solutions, phenol and derivatives (cresols, salicylic acid etc.).

When used above room temperature, it is sensitive to bases and various organic solvents, which can cause PEEK to swell. As normal PEEK capillaries are very sensitive to high pressure especially under such conditions, Agilent uses stainless-steel clad PEEK capillaries in order to keep the flow path free of steel and to ensure pressure stability to at least 600 bar. In case of doubt, please consult common literature about the chemical compatibility of PEEK.

Titanium

Titanium is highly resistant to oxidizing acids (e.g. nitric, perchloric and hypochlorous acid) over a wide range of concentrations and temperatures, which is due to a thin oxide layer on the surface, which is stabilized by oxidizing compounds. Reducing acids (e.g. hydrochloric, sulfuric and phosphoric acid) can slightly corrode titanium, which increases with acid concentration and temperature. For example the corrosion rate of 3 % HCl (about pH 0.1) at room temperature is about 13 $\mu\text{m}/\text{year}$. At room temperature, titanium is resistant to concentrations of about 5 % sulfuric acid (about pH 0.3). The addition of nitric acid to hydrochloric or sulfuric acids significantly reduces corrosion rates. Titanium is subject to corrosion in anhydrous methanol, which can be avoided by adding a small amount of water (about 3 %). Slight corrosion is possible with ammonia > 10 %.

Fused silica

Fused silica is inert against all common solvents and acids except hydrofluoric acid. It is corroded by strong bases and should not be used above pH 12 at room temperature. The corrosion of flow cell windows can negatively affect measurement results. For a pH larger than 12, the use of flow cells with sapphire windows is recommended.

Gold

Gold is inert against all common HPLC solvents, acids and bases within the specified pH range. It can be corroded by complexing cyanides and concentrated acids like aqua regia (a mixture of concentrated hydrochloric and nitric acid).

Zirconium Oxide

Zirconium Oxide (ZrO_2) is inert against almost all common acids, bases and solvents. There are no documented incompatibilities for HPLC applications.

Platinum/Iridium

Platinum/Iridium is inert against almost all common acids, bases and solvents. There are no documented incompatibilities for HPLC applications.

PTFE

PTFE (polytetrafluorethen) is inert against almost all common acids, bases and solvents. There are no documented incompatibilities for HPLC applications.

Sapphire, Ruby and Al_2O_3 -based ceramics

Sapphire, Ruby and ceramics based on Al_2O_3 are inert against almost all common acids, bases and solvents. There are no documented incompatibilities for HPLC applications.

Data above were collected from external resources and are meant as a reference. Agilent cannot guarantee for the completeness and correctness of such information. Information can also not be generalized due to catalytic effects of impurities like metal ions, complexing agents, oxygen etc. Most data available refers to room temperature (typically 20 – 25 °C, 68 – 77 °F). If corrosion is possible it usually increases at higher temperatures. In case of doubt, additional resources should be consulted.



4 Maintenance

Cautions and Warnings	30
Overview of Maintenance	32
Flushing the Manual Injector	33
Cleaning the Manual Injector	34
Exchanging the Injection Valve Seal	35
Exchanging the injection-valve stator face	37

Instructions on simple, routine repair procedures



Cautions and Warnings

WARNING

Toxic, flammable and hazardous solvents, samples and reagents

The handling of solvents, samples and reagents can hold health and safety risks.

- When working with these substances observe appropriate safety procedures (for example by wearing goggles, safety gloves and protective clothing) as described in the material handling and safety data sheet supplied by the vendor, and follow good laboratory practice.
 - The volume of substances should be reduced to the minimum required for the analysis.
 - Do not operate the instrument in an explosive atmosphere.
-

WARNING

Electrical shock

Repair work at the module can lead to personal injuries, e.g. shock hazard, when the cover is opened.

- Do not remove the metal top cover of the module. No serviceable parts inside.
 - Only certified persons are authorized to carry out repairs inside the module.
-

WARNING

Personal injury or damage to the product

Agilent is not responsible for any damages caused, in whole or in part, by improper use of the products, unauthorized alterations, adjustments or modifications to the products, failure to comply with procedures in Agilent product user guides, or use of the products in violation of applicable laws, rules or regulations.

- Use your Agilent products only in the manner described in the Agilent product user guides.
-

CAUTION

Safety standards for external equipment

- If you connect external equipment to the instrument, make sure that you only use accessory units tested and approved according to the safety standards appropriate for the type of external equipment.
-

CAUTION

Sample degradation and contamination of the instrument

Metal parts in the flow path can interact with the bio-molecules in the sample leading to sample degradation and contamination.

- For bio-inert applications, always use dedicated bio-inert parts, which can be identified by the bio-inert symbol or other markers described in this manual.
 - Do not mix bio-inert and non-inert modules or parts in a bio-inert system.
-

Overview of Maintenance

Table 3 Overview of Maintenance Procedures

Procedure	Typical Frequency	Time Required
"Flushing the Manual Injector" on page 33	After using aqueous buffers or salt solutions	5 minutes
"Exchanging the Injection Valve Seal" on page 35	After approximately 10000 to 20000 injections, or when the valve performance shows indication of leakage or wear	10 minutes
"Exchanging the injection-valve stator face" on page 37	When visibly scratched, or when the valve performance shows indication of leakage or wear	10 minutes

Flushing the Manual Injector

CAUTION

Damage through crystal formation

The use of aqueous buffers or salt solutions can lead to crystal formation which may cause scratches on the injection seal.

→ Always rinse the valve with water after using aqueous buffers or salt solutions.

- 1 Switch the valve to the INJECT position.
- 2 Use the pump to flush the sample loop and seal grooves.

Cleaning the Manual Injector

The manual injector base should be kept clean. Cleaning should be done with a soft cloth slightly dampened with water or a solution of water and a mild detergent.

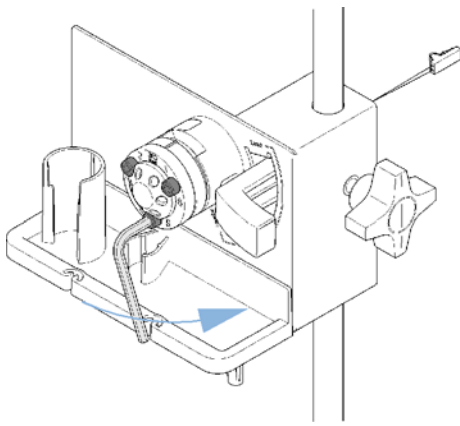
Exchanging the Injection Valve Seal

When Poor injection-volume reproducibility
Leaking injection valve

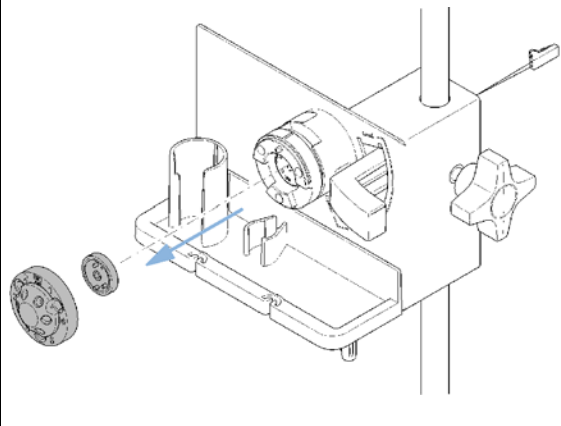
Tools required **Description**
Hexagonal key, 9/64 inch

Parts required **p/n** **Description**
5068-0082 Rotor seal, PEEK

1 Loosen the three stator screws and remove the stator head.



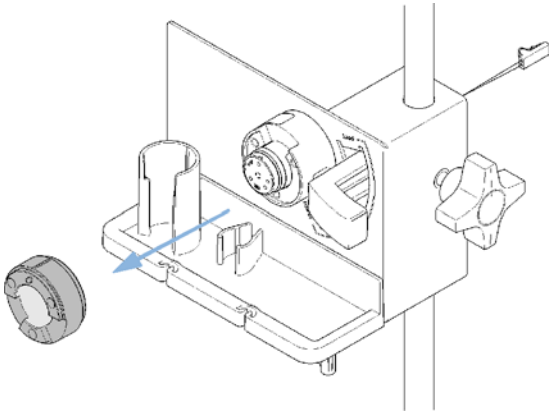
2 Remove the stator head and stator face.



4 Maintenance

Exchanging the Injection Valve Seal

3 Remove the stator ring and rotor seal.

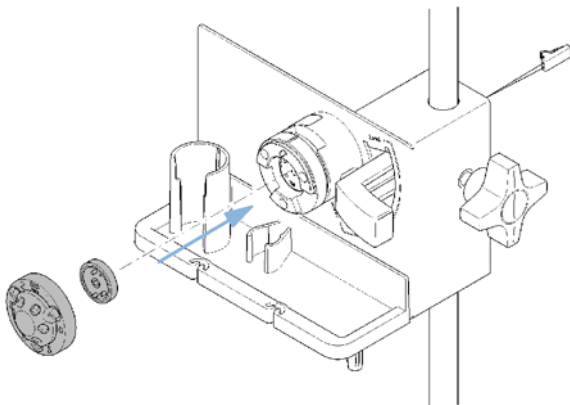


4 Install the new rotor seal.

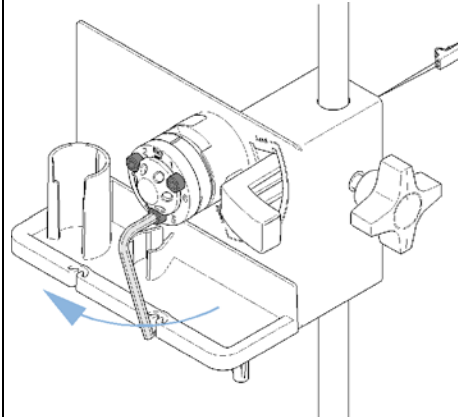
HINT

Beware of correct orientation. The rotor seal grooves must be visible.

5 Install the stator ring, stator head and stator face onto the valve.



6 Secure stator head in place with the stator screws. Tighten each screw alternately ¼-turn until the stator head is secure.

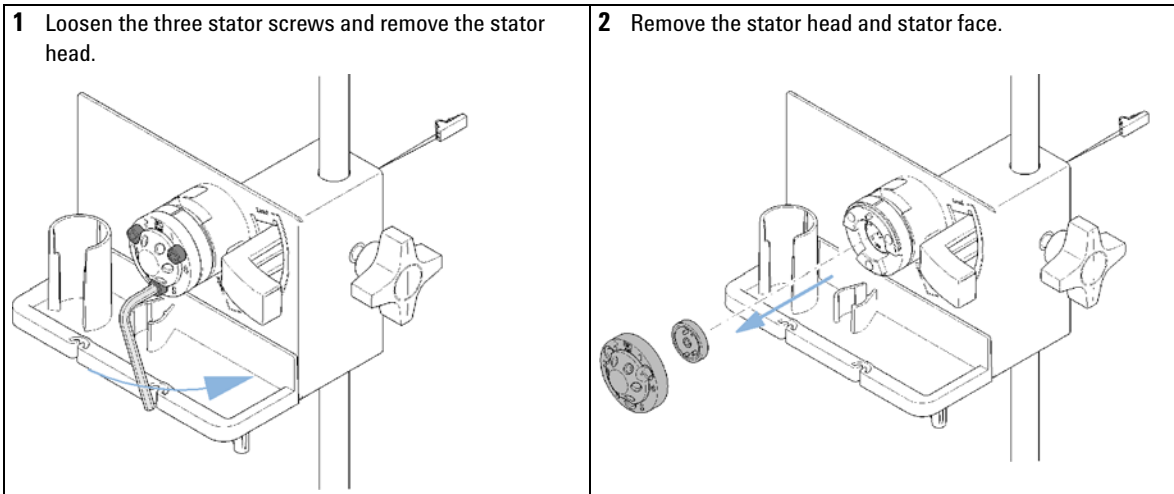


Exchanging the injection-valve stator face

When When visibly scratched, or when the valve performance shows indication of leakage or wear.

Tools required **Description**
Hexagonal key, 9/64 inch

Parts required **p/n** **Description**
0100-1851 Stator Face

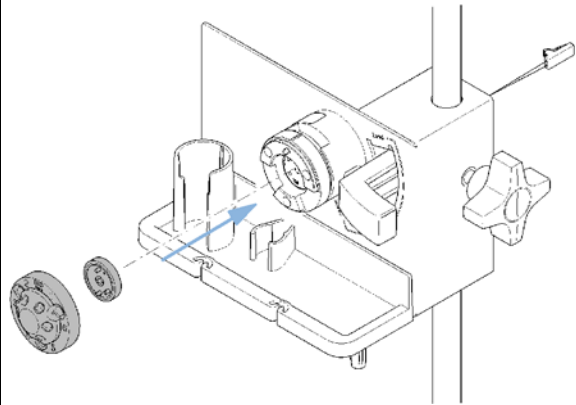


4 Maintenance

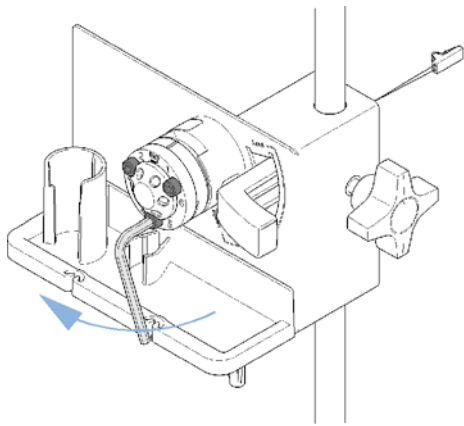
Exchanging the injection-valve stator face

3 Insert the new stator face onto the stator head.

4 Install the stator ring, stator head and stator face onto the valve.



5 Secure stator head in place with the stator screws. Tighten each screw alternately $\frac{1}{4}$ -turn until the stator head is secure.





5 Parts and Materials for Maintenance

Manual Injector 40

Bio-Inert Manual Injection-Valve Assembly 600 bar 41

Sample Loops PEEK 42

Syringes 43

Accessories and Consumables 44

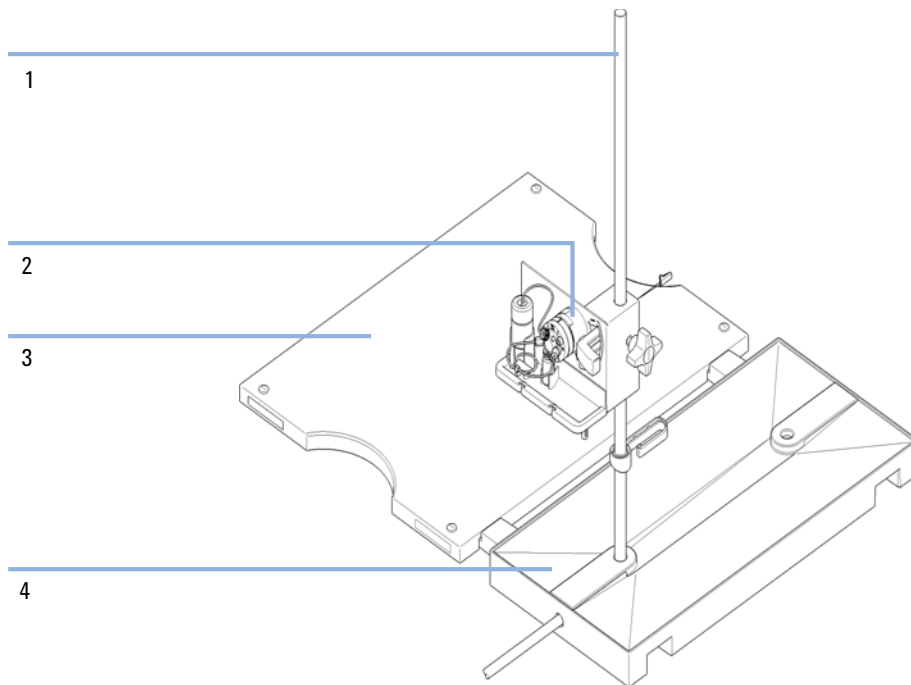
Detailed illustrations and lists for identification of parts and materials



Manual Injector

Item	p/n	Description
1	5067-4158	Bio-inert 6-port sample injection valve
2	5001-3738	Mounting pole, stainless steel
3	G1328-44111	Base plate
4	5042-8553	Organizer plate
	G5667-60501	PEEK/SST cap 0.17 mm ID, 500 mm long

Manual Injector valve see “[Bio-Inert Manual Injection-Valve Assembly 600 bar](#)” on page 41.



Bio-Inert Manual Injection-Valve Assembly 600 bar

Item	p/n	Description
1	1535-4045	Bearing Ring, (Qty 1, replacement)
2	5068-0082	Rotor seal, PEEK
3	0100-1851	Stator face, ceramic
4	5068-0060	Bio-inert stator head
5	1535-4857	Stator screws, 10/Pk
	5067-4158	Bio-inert 6-port sample injection valve

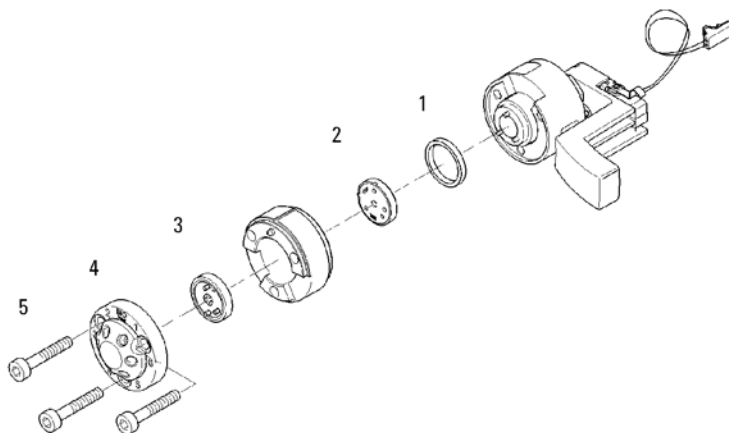


Figure 10 Injection Valve Assembly

Sample Loops PEEK

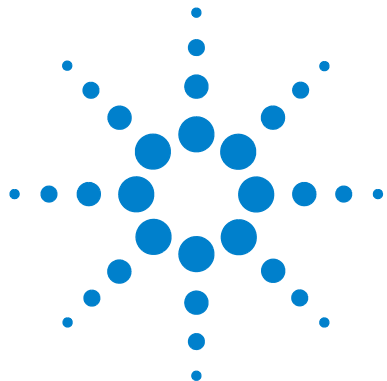
p/n	Description
0101-1241	Sample loop 5 µL
0101-1240	Sample loop 10 µL
0101-1239	Sample loop 20 µL
0101-1238	Sample loop 50 µL
0101-1242	Sample loop 100 µL
0101-1227	Sample loop 200 µL
0101-1236	Sample loop 500 µL
0101-1235	Sample loop 1 mL
0101-1234	Sample loop 2 mL
0101-1230	Sample loop 5 mL

Syringes

p/n	Description
5190-1506	Syringe, 50 μ L, PTFE FN luer lock
5190-1513	Syringe, 100 μ L, PTFE FN luer lock
5190-1527	Syringe, 500 μ L, PTFE FN luer lock
5190-1534	Syringe, 2.5 mL, PTFE FN luer lock
5190-1457	Syringe, 10 mL, PTFE FN luer lock

Accessories and Consumables

p/n	Description
5190-0924	PEEK luer lock needle AY
5062-8541	PEEK Fittings 10/PK
5188-6593	Snap vial 2 mL, fixed insert, clear, 100/pk
9301-1377	Screw Cap Vial, clear, 6 mL 100/PK
5188-2758	PTFE/silicone septa 16mm pre-silt 100/pk
9301-1379	Screw caps for 6 mL vials 100/PK
G5667-60501	PEEK/SST cap 0.17 mm ID, 500 mm long



6 Appendix

Agilent Technologies on Internet 46

Additional information



Agilent Technologies on Internet

For the latest information on products and services visit our worldwide web site on the internet at:

<http://www.chem.agilent.com>

Index

A

Agilent on internet 46

B

bio-inert 31
 materials 8
buffers 33

C

cleaning the manual injector 34

D

damaged packaging 12
delivery checklist 13

E

exchanging the rotor seal 35
exchanging the stator face 37

F

flow connections 18
flushing the manual injector 33

I

information
 on internet 46
INJECT 25
installation 14
installing the manual injector 14
internet 46, 46

L

leak channel 19
leak drainage 19
LOAD 24

M

materials
 bio-inert 8

N

needle-port cleaner 33

P

precision 24

R

rotor seal 35

S

salt solutions 33
sample volume 24
solvent information 26
solvents
 buffers 33
 rinsing 33
 salt solutions 33
stator face 37

U

unpacking
 damaged packaging 12
 delivery checklist 12

W

worldwide web 46

www.agilent.com

In This Book

This manual covers the Agilent 1260 Infinity Bio-inert Manual Injector (G5628)

This manual contains user information about the Agilent 1260 Infinity Bio-inert Manual Injector. The manual describes the following:

- Introduction
- installing the manual injector,
- using the manual injector,
- maintenance of the manual injector,
- parts and materials, and
- additional information.

© Agilent Technologies 2011-2012

Printed in Germany
05/12



G5628-90000 Rev. B



Agilent Technologies