



Agilent 1260 Infinity Bio-inert High Performance Autosampler

User Manual



Agilent Technologies

Notices

© Agilent Technologies, Inc. 2011-2012

No part of this manual may be reproduced in any form or by any means (including electronic storage and retrieval or translation into a foreign language) without prior agreement and written consent from Agilent Technologies, Inc. as governed by United States and international copyright laws.

Manual Part Number

G5667-90001 Rev. B

Edition

05/2012

Printed in Germany

Agilent Technologies
Hewlett-Packard-Strasse 8
76337 Waldbronn

This product may be used as a component of an in vitro diagnostic system if the system is registered with the appropriate authorities and complies with the relevant regulations. Otherwise, it is intended only for general laboratory use.

Warranty

The material contained in this document is provided “as is,” and is subject to being changed, without notice, in future editions. Further, to the maximum extent permitted by applicable law, Agilent disclaims all warranties, either express or implied, with regard to this manual and any information contained herein, including but not limited to the implied warranties of merchantability and fitness for a particular purpose. Agilent shall not be liable for errors or for incidental or consequential damages in connection with the furnishing, use, or performance of this document or of any information contained herein. Should Agilent and the user have a separate written agreement with warranty terms covering the material in this document that conflict with these terms, the warranty terms in the separate agreement shall control.

Technology Licenses

The hardware and/or software described in this document are furnished under a license and may be used or copied only in accordance with the terms of such license.

Restricted Rights Legend

If software is for use in the performance of a U.S. Government prime contract or subcontract, Software is delivered and licensed as “Commercial computer software” as defined in DFAR 252.227-7014 (June 1995), or as a “commercial item” as defined in FAR 2.101(a) or as “Restricted computer software” as defined in FAR 52.227-19 (June 1987) or any equivalent agency regulation or contract clause. Use, duplication or disclosure of Software is subject to Agilent Technologies’ standard commercial license terms, and non-DOD Departments and Agencies of the U.S. Government will

receive no greater than Restricted Rights as defined in FAR 52.227-19(c)(1-2) (June 1987). U.S. Government users will receive no greater than Limited Rights as defined in FAR 52.227-14 (June 1987) or DFAR 252.227-7015 (b)(2) (November 1995), as applicable in any technical data.

Safety Notices

CAUTION

A **CAUTION** notice denotes a hazard. It calls attention to an operating procedure, practice, or the like that, if not correctly performed or adhered to, could result in damage to the product or loss of important data. Do not proceed beyond a **CAUTION** notice until the indicated conditions are fully understood and met.

WARNING

A **WARNING** notice denotes a hazard. It calls attention to an operating procedure, practice, or the like that, if not correctly performed or adhered to, could result in personal injury or death. Do not proceed beyond a **WARNING** notice until the indicated conditions are fully understood and met.

In This Guide

This manual covers the Agilent 1260 Infinity Bio-inert High Performance Autosampler (G5667A)

1 Introduction

This chapter gives an introduction to the autosampler.

2 Site Requirements and Specifications

This chapter provides information on environmental requirements, physical and performance specifications.

3 Installing the Autosampler

This chapter provides information on unpacking, checking on completeness, stack considerations and installation of the autosampler.

4 LAN Configuration

This chapter provides information on connecting the autosampler to the Agilent ChemStation PC.

5 Using the Module

This chapter provides information on how to set up the autosampler for an analysis and explains the basic settings.

6 Optimizing Performance

This chapter gives hints on how to optimize the performance or use additional devices.

7 Troubleshooting and Diagnostics

This chapter gives an overview about the troubleshooting and diagnostic features and the different user interfaces.

8 Error Information

This chapter describes the meaning of error messages, and provides information on probable causes and suggested actions how to recover from error conditions.

9 Test Functions

This chapter describes the tests for the module.

10 Maintenance

This chapter describes the maintenance of the Autosampler

11 Parts for Maintenance

This chapter provides information on parts material required for the module.

12 Identifying Cables

This chapter provides information on cables used with the 1260 series of HPLC modules.

13 Hardware Information

This chapter describes the autosampler in more detail on hardware and electronics.

14 Appendix

This chapter provides addition information on safety, legal and web.

Contents

1	Introduction	9
	Features	10
	Bio-inert Materials	11
	Overview of the Module	13
	Autosampler Principle	15
	Early Maintenance Feedback	21
	Instrument Layout	22
2	Site Requirements and Specifications	23
	Site Requirements	24
	Physical Specifications	27
	Specifications	28
3	Installing the Autosampler	31
	Unpacking the Autosampler	32
	Optimizing the Stack Configuration	34
	Installing the Autosampler	39
	Flow Connections to the Autosampler	41
	Installation of stainless steel clad PEEK capillaries	42
4	LAN Configuration	43
	Setting up the module in a LAN environment	44
	Connecting the module via LAN	45
5	Using the Module	47
	Preparing the Autosampler	48
	Setting up the Autosampler with Agilent ChemStation	52
	Main Screens of the Autosampler with Agilent Instant Pilot (G4208A)	62

6	Optimizing Performance	65
	Delay Volume and Extra-Column Volume	66
	How to Configure the Optimum Delay Volume	67
	How to Achieve Higher Injection Volumes	69
	How to Achieve High Throughput	71
	How to Achieve Higher Resolution	72
	How to Achieve Higher Sensitivity	75
	How to Achieve Lowest Carry Over	76
7	Troubleshooting and Diagnostics	79
	Overview of the Module's Indicators and Test Functions	80
	Status Indicators	81
	User Interfaces	83
	Agilent Lab Advisor Software	84
8	Error Information	85
	What are Error Messages	87
	General Error Messages	88
	Module Error Messages	94
9	Test Functions	111
	Introduction	112
	System Pressure Test	113
	Sample Transport Self Alignment	115
	Maintenance Positions	117
	Injector Steps	121

10 Maintenance	123
Introduction to Maintenance	124
Warnings and Cautions	125
Overview of Maintenance	127
Cleaning the module	128
Removing the needle assembly	129
Installing the needle assembly	132
Exchanging the Needle Seat	135
Replacing the Rotor seal	138
Removing the metering seal	142
Installing the metering seal	145
Replacing Peristaltic Pump Cartridge	147
Installing the Interface Board	150
Replacing the Module Firmware	151
11 Parts for Maintenance	153
Overview of Maintenance Parts	154
Vial Trays	155
Recommended Plates and Closing Mats	156
Recommended Vial Plates	157
Accessory Kit	158
Injection Valve Assembly	159
Cover Parts	160
Leak System Parts	161
12 Identifying Cables	163
Cable Overview	164
Analog Cables	166
Remote Cables	168
BCD Cables	171
CAN/LAN Cables	173
External Contact Cable	174
Agilent Module to PC	175
Agilent 1200 Module to Printer	176

Contents

13 Hardware Information 177

- Firmware Description 178
- Boot-up and Initialization Process 181
- Interfaces 182
- Setting the 8-bit Configuration Switch 188
- Electrical Connections 192

14 Appendix 195

- General Safety Information 196
- Lithium Batteries Information 199
- The Waste Electrical and Electronic Equipment (WEEE) Directive (2002/96/EC) 200
- Radio Interference 201
- Sound Emission 202
- Solvent Information 203
- Agilent Technologies on Internet 205



1 Introduction

Features	10
Bio-inert Materials	11
Overview of the Module	13
Autosampler Principle	15
Early Maintenance Feedback	21
Instrument Layout	22

This chapter gives an introduction to the autosampler.



Features

The Agilent 1260 Infinity Bio-inert High Performance Autosampler features an increased pressure range (up to 600 bar) enabling the use of today's column technology (sub-two-micron narrow bore columns) with the Agilent 1260 Infinity LC System. Increased robustness is achieved by optimized new parts, high speed with lowest carry-over by flow through design, increased sample injection speed for high sample throughput, increased productivity by using overlapped injection mode and flexible and convenient sample handling with different types of sample containers, such as vials and well plates. Using 384-well plates allows you to process up to 768 samples unattended.

For specifications, see "[Specifications](#)" on page 28

NOTE

This 1260 Infinity Autosampler has been introduced together with the Agilent 1260 Infinity Liquid Chromatograph.

Bio-inert Materials

For the Agilent 1260 Infinity Bio-inert LC system, Agilent Technologies uses highest quality materials in the flow path (also referred to as wetted parts), which are widely accepted by life scientists, as they are known for optimum inertness to biological samples and ensure best compatibility with common samples and solvents over a wide pH range. Explicitly, the complete flow path is free of stainless steel and free of other alloys containing metals such as iron, nickel, cobalt, chromium, molybdenum or copper, which can interfere with biological samples. The flow downstream of the sample introduction contains no metals whatsoever.

Table 1 Bio-inert materials used in Agilent 1260 Infinity Systems

Module	Materials
Agilent 1260 Infinity Bio-inert Quaternary Pump (G5611A)	Titanium, gold, platinum-iridium, ceramic, ruby, PTFE, PEEK
Agilent 1260 Infinity Bio-inert High-Performance Autosampler (G5667A)	Upstream of sample introduction: <ul style="list-style-type: none">• Titanium, gold, PTFE, PEEK, ceramic Downstream of sample introduction: <ul style="list-style-type: none">• PEEK, ceramic
Agilent 1260 Infinity Bio-inert Manual Injector (G5628A)	PEEK, ceramic
Agilent 1260 Infinity Bio-inert Analytical Fraction Collector (G5664A)	PEEK, ceramic, PTFE

Table 1 Bio-inert materials used in Agilent 1260 Infinity Systems

Module	Materials
<p>Bio-inert Flow Cells: Standard flow cell bio-inert, 10 mm, 13 µl, 120 bar (12 MPa) for MWD/DAD, includes Capillary Kit Flow Cells BIO (p/n G5615-68755) (p/n G5615-60022) (for Agilent 1260 Infinity Diode Array Detectors DAD G1315C/D)</p>	PEEK, ceramic, sapphire, PTFE
<p>Max-Light Cartridge Cell Bio-inert (10 mm, V(σ) 1.0 µl) (p/n G5615-60018) and Max-Light Cartridge Cell Bio-inert (60 mm, V(σ) 4.0 µl) (p/n G5615-60017) (for Agilent 1200 Infinity Series Diode Array Detectors DAD G4212A/B)</p>	PEEK, fused silica
<p>Bio-inert flow cell, 8 µL, 20 bar (pH 1–12) includes Capillary Kit Flow Cells BIO (p/n G5615-68755) (p/n G5615-60005) (for Agilent 1260 Infinity Fluorescence Detector FLD G1321B)</p>	PEEK, fused silica, PTFE
<p>Bio-inert heat-exchanger G5616-60050 (for Agilent 1290 Infinity Thermostatted Column Compartment G1316C)</p>	PEEK (steel-cladded)
<p>Bio-inert Valve heads</p>	G4235A, G5631A, G5639A: PEEK, ceramic (Al ₂ O ₃ based)
<p>Bio-inert Connection capillaries</p>	<p>Upstream of sample introduction:</p> <ul style="list-style-type: none"> • Titanium <p>Downstream of sample introduction:</p> <ul style="list-style-type: none"> • Agilent uses stainless-steel-cladded PEEK capillaries, which keep the flow path free of steel and provide pressure stability to more than 600 bar.

NOTE

To ensure optimum bio-compatibility of your Agilent 1260 Infinity Bio-inert LC system, do not include non-inert standard modules or parts to the flow path. Do not use any parts that are not labeled as Agilent “Bio-inert”. For solvent compatibility of these materials, see “Solvent information for parts of the 1260 Infinity Bio-inert LC system” on page 49.

Overview of the Module

The Autosampler transport mechanism uses an X-Z-theta robot to optimize the positioning of the sampling arm on the well plate. Once the sampling arm is positioned over the programmed sample position, the programmed sample volume is drawn by the metering device into the sampling needle. The sampling arm then moves to the injection position where the sample is flushed onto the column.

The Autosampler employ a vial/plate pusher mechanism to hold down the vial or the plate while the needle is drawn back from the sample vessel (a must in the case a septum is used). This vial/plate pusher employs a sensor to detect the presence of a plate and to ensure accurate movement regardless of plate used.

All axes of the transport mechanism (x-,z-,theta-robot) are driven by stepper-motors. Optical encoders ensure the correct operation of the movement.

The standard metering device provides injection volumes from 0.1 – 100 μL . The entire flow path including the metering device is always flushed by the mobile phase after injection for minimum internal carry-over.

An additional needle flush station with a peristaltic pump is installed to wash the outside of the needle. This reduces the already low carry-over for very sensitive analysis.

The bottle containing the mobile phase for the wash procedure will be located in the solvent bottle cabinet. Produced waste during this operation is channeled safely away through a waste drain.

The six-port (only 5 ports are used) injection valve unit is driven by a high-speed hybrid stepper motor. During the sampling sequence, the valve unit bypasses the autosampler, and connects flow from the pump to the column directly. During injection and analysis, the valve unit directs the flow through the autosampler which ensures that the entire sample is injected onto the column, and that the metering unit and needle are always free from sample residue before the next sampling sequence begins.

Control of the vial/plate temperature in the thermostatted autosampler is achieved using an additional Agilent 1290 Infinity Series module; the Agilent

1 Introduction

Overview of the Module

1290 Infinity Series thermostat for ALS/FC/Spotter. The thermostat contains Peltier-controlled heat-exchangers. A fan draws air from the area above the sample vial tray of the autosampler. It is then blown through the fins of the cooling/heating module. There it is cooled or heated according the temperature setting. The thermostatted air enters the autosampler through a recess underneath the special designed sample tray. The air is then distributed evenly through the sample tray ensuring effective temperature control, regardless of how many vials are in the tray. In cooling mode condensation is generated on the cooled side of the Peltier elements. This condensed water is safely guided into a waste bottle for condensed water.

Autosampler Principle

The movements of the autosampler components during the sampling sequence are monitored continuously by the autosampler processor. The processor defines specific time windows and mechanical ranges for each movement. If a specific step of the sampling sequence is not completed successfully, an error message is generated. Solvent is bypassed from the autosampler by the injection valve during the sampling sequence. The needle moves to the desired sample position and is lowered into the sample liquid in the sample to allow the metering device to draw up the desired volume by moving its plunger back a certain distance. The needle is then raised again and moved onto the seat to close the sample loop. Sample is applied to the column when the injection valve returns to the mainpass position at the end of the sampling sequence.

The standard sampling sequence occurs in the following order:

- 1** The injection valve switches to the bypass position.
- 2** The plunger of the metering device moves to the initialization position.
- 3** The needle lock moves up.
- 4** The needle moves to the desired sample vial (or well plate) position.
- 5** The needle lowers into the sample vial (or well plate).
- 6** The metering device draws the preset sample volume.
- 7** The needle lifts out of the sample vial (or well plate).
- 8** The needle is then moved onto the seat to close the sample loop.
- 9** The needle lock moves down.
- 10** The injection cycle is completed when the injection valve switches to the mainpass position.

If needle wash is required it will be done between step 7 and 8.

Injection Sequence

Before the start of the injection sequence, and during an analysis, the injection valve is in the mainpass position. In this position, the mobile phase flows through the autosampler metering device, sample loop, and needle, ensuring all parts in contact with sample are flushed during the run, thus minimizing carry-over.

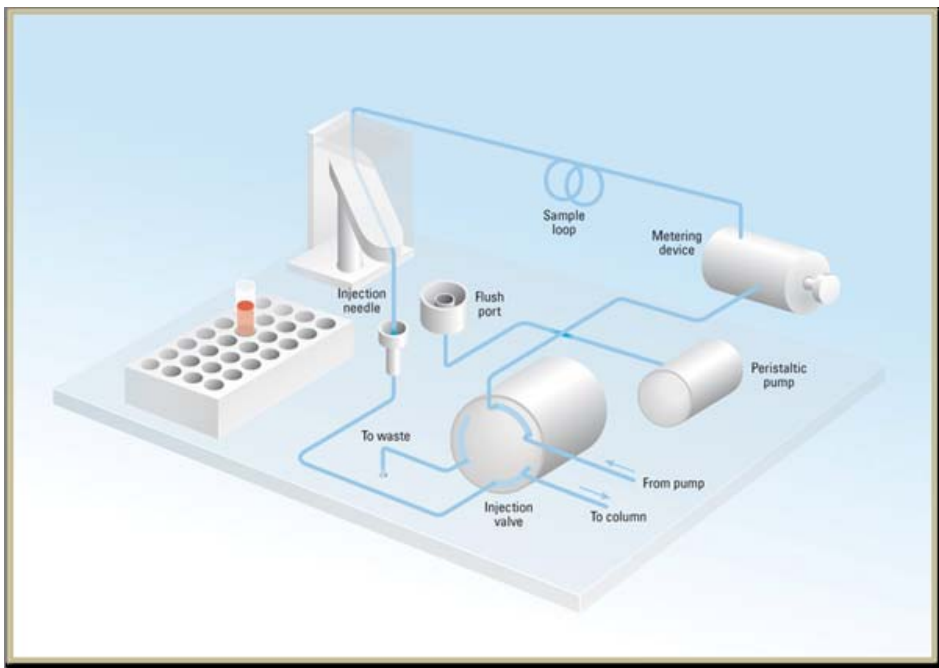


Figure 1 Mainpass Position

When the sample sequence begins, the valve unit switches to the bypass position. Solvent from the pump enters the valve unit at port 1, and flows directly to the column through port 6.

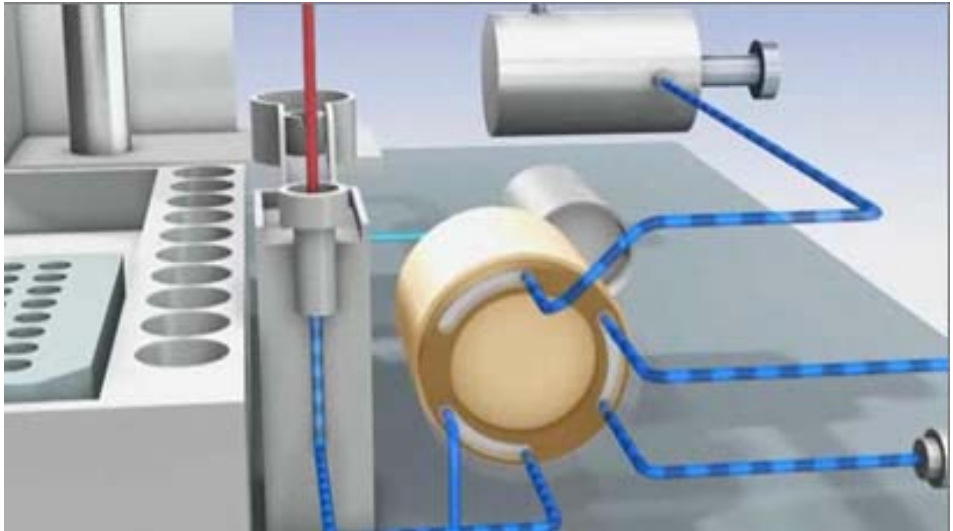


Figure 2 Bypass Position

The standard injection starts with *draw sample from vial*. In order to do this the needle moves to the desired sample position and is lowered into the sample liquid in the sample to allow the metering device to draw up the desired volume by moving its plunger back a certain distance. The needle is then raised again and moved onto the seat to close the sample loop. In case of an injector program several steps are interspersed at this point.

1 Introduction

Autosampler Principle

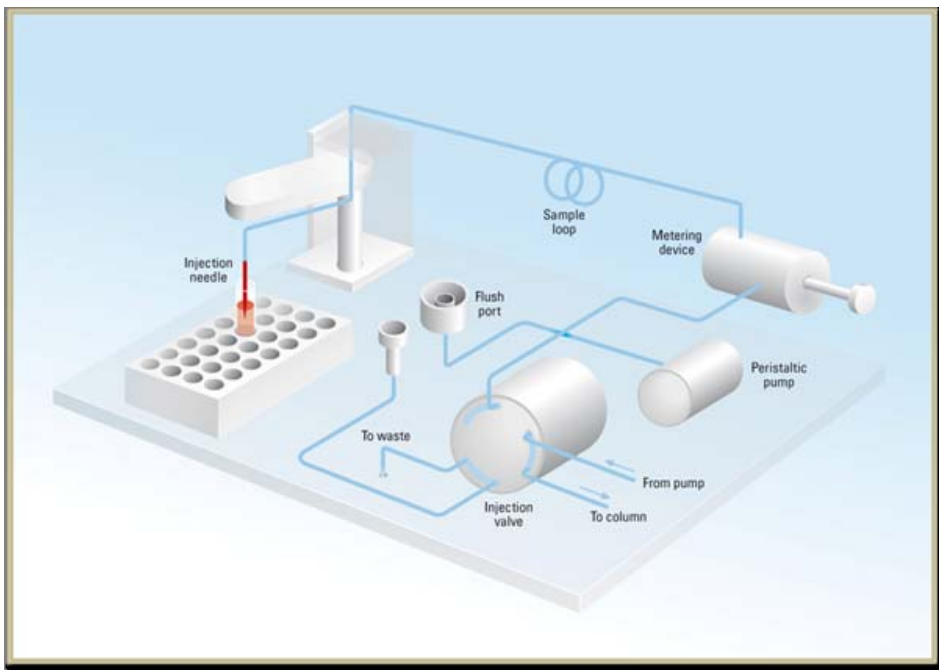


Figure 3 Drawing the Sample

Flush the Needle

Before injection and to reduce the carry-over for very sensitive analysis, the outside of the needle can be washed in a flush port located behind the injector port on the sampling unit. As soon as the needle is on the flush port a peristaltic pump delivers some solvent during a defined time to clean the outside of the needle. At the end of this process the needle returns to the injection port.

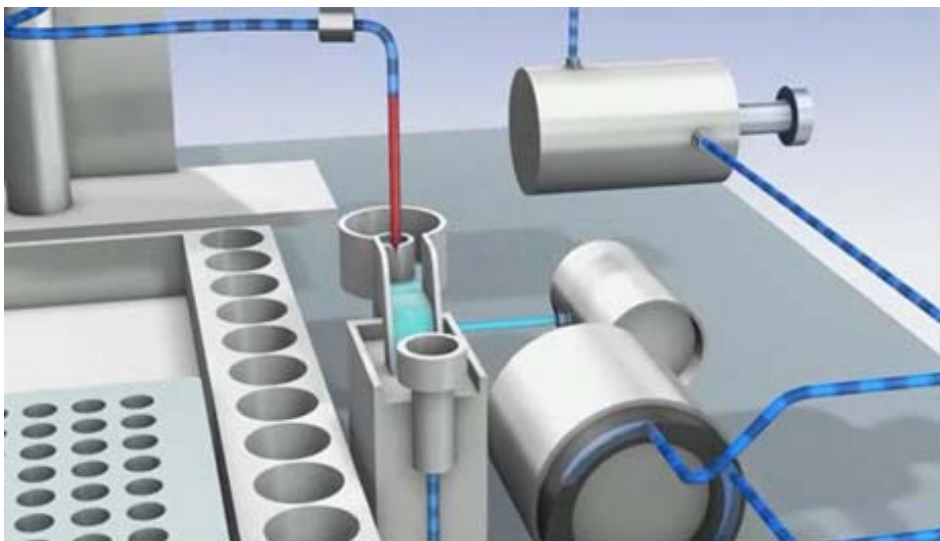


Figure 4 Flush the needle

Inject-and-Run

The final step is the inject-and-run step. The six-port valve is switched to the main-pass position, and directs the flow back through the sample loop, which now contains a certain amount of sample. The solvent flow transports the sample onto the column, and separation begins. This is the beginning of a *run* within an analysis. In this stage, all major performance-influencing hardware is flushed internally by the solvent flow. For standard applications no additional flushing procedure is required.

1 Introduction

Autosampler Principle

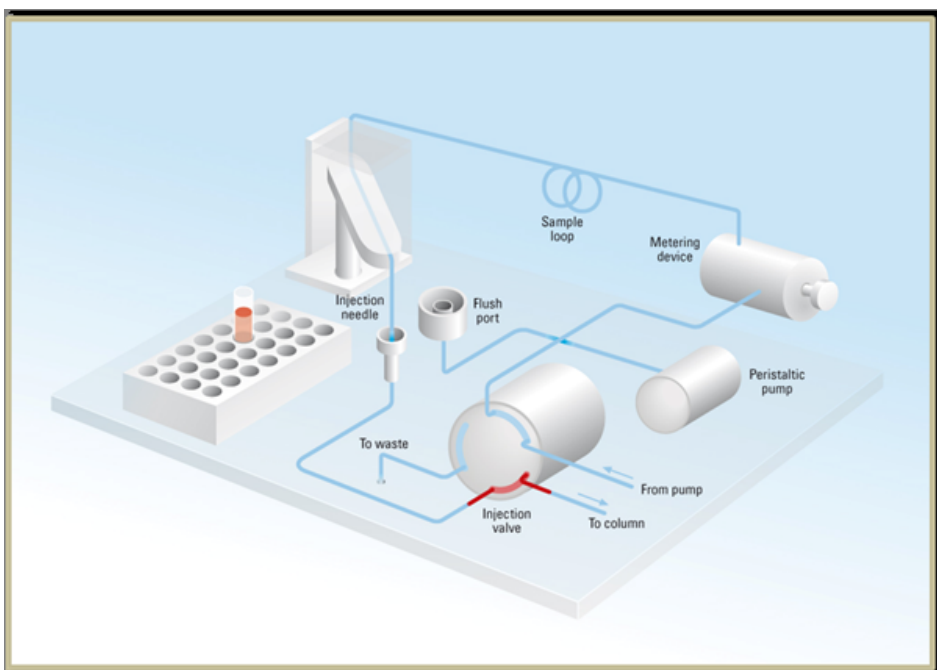


Figure 5 Inject and Run

Early Maintenance Feedback

Maintenance requires the exchange of components which are subject to wear or stress. Ideally, the frequency at which components are exchanged should be based on the intensity of usage of the module and the analytical conditions, and not on a predefined time interval. The early maintenance feedback (**EMF**) feature monitors the usage of specific components in the instrument, and provides feedback when the user-selectable limits have been exceeded. The visual feedback in the user interface provides an indication that maintenance procedures should be scheduled.

EMF Counters

EMF counters increment with use and can be assigned a maximum limit which provides visual feedback in the user interface when the limit is exceeded. Some counters can be reset to zero after the required maintenance procedure.

Using the EMF Counters

The user-settable **EMF** limits for the **EMF Counters** enable the early maintenance feedback to be adapted to specific user requirements. The useful maintenance cycle is dependent on the requirements for use. Therefore, the definition of the maximum limits need to be determined based on the specific operating conditions of the instrument.

Setting the EMF Limits

The setting of the **EMF** limits must be optimized over one or two maintenance cycles. Initially the default **EMF** limits should be set. When instrument performance indicates maintenance is necessary, take note of the values displayed by the **EMF counters**. Enter these values (or values slightly less than the displayed values) as **EMF** limits, and then reset the **EMF counters** to zero. The next time the **EMF counters** exceed the new **EMF** limits, the **EMF** flag will be displayed, providing a reminder that maintenance needs to be scheduled.

Instrument Layout

The industrial design of the module incorporates several innovative features. It uses Agilent's E-PAC concept for the packaging of electronics and mechanical assemblies. This concept is based upon the use of expanded polypropylene (EPP) layers of foam plastic spacers in which the mechanical and electronic boards components of the module are placed. This pack is then housed in a metal inner cabinet which is enclosed by a plastic external cabinet. The advantages of this packaging technology are:

- virtual elimination of fixing screws, bolts or ties, reducing the number of components and increasing the speed of assembly/disassembly,
- the plastic layers have air channels molded into them so that cooling air can be guided exactly to the required locations,
- the plastic layers help cushion the electronic and mechanical parts from physical shock, and
- the metal inner cabinet shields the internal electronics from electromagnetic interference and also helps to reduce or eliminate radio frequency emissions from the instrument itself.



2 Site Requirements and Specifications

Site Requirements 24

Physical Specifications 27

Specifications 28

This chapter provides information on environmental requirements, physical and performance specifications.



Site Requirements

A suitable environment is important to ensure optimal performance of the module.

Power Consideration

The module power supply has wide ranging capabilities and accepts any line voltage in the range mentioned in [Table 2](#) on page 27. Consequently, there is no voltage selector in the rear of the module. There are also no externally accessible fuses, because automatic electronic fuses are implemented in the power supply.

WARNING

Module is partially energized when switched off, as long as the power cord is plugged in.

Repair work at the module can lead to personal injuries, e.g. shock hazard, when the cover is opened and the module is connected to power.

- Make sure that it is always possible to access the power plug.
- Remove the power cable from the instrument before opening the cover.
- Do not connect the power cable to the Instrument while the covers are removed.

WARNING

Incorrect line voltage at the module

Shock hazard or damage of your instrument can result if the devices are connected to line voltage higher than specified.

- Connect your module to the specified line voltage.
-

CAUTION

Inaccessible power plug.

In case of emergency it must be possible to disconnect the instrument from the power line at any time.

- Make sure the power connector of the instrument can be easily reached and unplugged.
 - Provide sufficient space behind the power socket of the instrument to unplug the cable.
-

Power Cords

Different power cords are offered as options with the module. The female end of all power cords is identical. It plugs into the power-input socket at the rear. The male end of each power cord is different and designed to match the wall socket of a particular country or region.

WARNING

Absence of ground connection or use of unspecified power cord

The absence of ground connection or the use of unspecified power cord can lead to electric shock or short circuit.

- Never operate your instrumentation from a power outlet that has no ground connection.
 - Never use a power cord other than the Agilent Technologies power cord designed for your region.
-

WARNING

Use of unsupplied cables

Using cables not supplied by Agilent Technologies can lead to damage of the electronic components or personal injury.

- Never use cables other than the ones supplied by Agilent Technologies to ensure proper functionality and compliance with safety or EMC regulations.
-

2 Site Requirements and Specifications

Site Requirements

WARNING

Unintended use of supplied power cords

Using power cords for unintended purposes can lead to personal injury or damage of electronic equipment.

- Never use the power cords that Agilent Technologies supplies with this instrument for any other equipment.
-

Bench Space

The module dimensions and weight (see [Table 2](#) on page 27) allow you to place the module on almost any desk or laboratory bench. It needs an additional 2.5 cm (1.0 inches) of space on either side and approximately 8 cm (3.1 inches) in the rear for air circulation and electric connections.

If the bench shall carry a complete HPLC system, make sure that the bench is designed to bear the weight of all modules.

The module should be operated in a horizontal position.

Condensation

CAUTION

Condensation within the module

Condensation will damage the system electronics.

- Do not store, ship or use your module under conditions where temperature fluctuations could cause condensation within the module.
 - If your module was shipped in cold weather, leave it in its box and allow it to warm slowly to room temperature to avoid condensation.
-

Physical Specifications

Table 2 Physical Specifications

Type	Specification	Comments
Weight	15.5 kg (35 lbs)	
Dimensions (height × width × depth)	200 x 345 x 440 mm (8 x 13.5 x 17 inches)	
Line voltage	100 – 240 VAC, ± 10 %	Wide-ranging capability
Line frequency	50 or 60 Hz, ± 5 %	
Power consumption	200 VA / 200 W / 683 BTU	Maximum
Ambient operating temperature	4–55 °C (41–131 °F)	
Ambient non-operating temperature	-40 – 70 °C (-4 – 158 °F)	
Humidity	< 95 %, at 25 – 40 °C (77 – 104 °F)	Non-condensing
Operating altitude	Up to 2000 m (6562 ft)	
Non-operating altitude	Up to 4600 m (15091 ft)	For storing the module
Safety standards: IEC, CSA, UL	Installation category II, Pollution degree 2	For indoor use only.

Specifications

Table 3 Specifications - Agilent 1260 Infinity Bio-inert High-Performance Autosampler (G5667A)

Type	Specification
Injection range	0.1 – 100 µL in 0.1 µL increments. Up to 40 µL with reduced injection volume kit (hardware modification required). Up to 1500 µL with multiple draw (hardware modification required)
Precision	Typically < 0.25 % RSD from 5 – 100 µL. Typically < 0.5 % RSD from 2 – 5 µL. Typically < 0.7 % RSD from 1 – 2 µL volume. Measured with injections of caffeine in water
Injection Accuracy	1 % (10 µL, n=10)
Pressure range	Up to 600 bar (8700 psi)
Sample viscosity range	0.2 – 5 cp
Sample capacity	2 x well plates (MTP) + 10 x 2.0 mL vials 108 x 2 mL vials in 2 x 54 vial plate plus 10 additional 2 mL vials 30 x 6 mL vials in 2 x 15 vial plate plus 10 additional 2 mL vials 54 Eppendorf tubes (0.5/1.5/2 mL) in 2 x 27 Eppendorf tube plates
Injection cycle time	Typically < 17 s using the following standard conditions: Default draw speed: 100 µL/min. Default eject speed: 100 µL/min. Injection volume: 5 µL
Carry-over	Typically <0.004 % For measurement conditions see ^{1, 2, 3}
pH-range	1 – 13 (short term 14 ⁴)
Sample cooling	Optional with G1330B 4 – 40 °C
Materials in flow path	Upstream of sample-introduction: • titanium, gold, PTFE, PEEK, ceramic Downstream of sample-introduction: • PEEK, ceramic

Table 3 Specifications - Agilent 1260 Infinity Bio-inert High-Performance Autosampler (G5667A)

Type	Specification
GLP features	Early maintenance feedback (EMF), electronic records of maintenance and errors
Communications	Controller-area network (CAN). RS232C, APG-remote standard, optional four external contact closures and BCD vial number output
Safety features	Extensive diagnostics can be done with the help of the Control Module and Agilent LabAdvisor Diagnostic Software, leak detection and safe leak handling, low voltages in maintenance areas, error detection and display

¹ Chromatographic conditions: Column: Agilent ZORBAX SB-C18, 2.1 x 50 mm 1.8 µm (p/n 827700-902); mobile phase: A: 0.1 % TFA in water, B: 0.1 % TFA in acetonitrile; isocratic : %B=35 %; flow rate: 0.5 mL/min; temperature: 30 °C

² UV-detection: Sample : 1200 ng/µl chlorhexidine (dissolved in mobile phase A), 1 µL injected and measured on G4212A DAD (10 mm cell); Wavelength: 257 nm +/- 4 nm; ref. 360 nm +/- 16 nm; slit 4 nm, 10 Hz

³ MS-detection: Sample : 50 ng/µl chlorhexidine (dissolved in mobile phase A), 1 µL injected and measured on Agilent 6460 QQQ (in specified conditions); MRM 1: 505.5 ? 170 (CE: 36 V); MRM 2: 505.5 ? 201.2 (CE: 20 V); fragmentor: 150 V, delta EMV(+): 200 V

⁴ For solvent compatibility, refer to section "Solvent information for parts of the 1260 Infinity Bio-inert LC system" in the manual

2 Site Requirements and Specifications

Specifications



3 Installing the Autosampler

Unpacking the Autosampler	32
Damaged Packaging	32
Delivery Checklist	32
Autosampler Accessory Kit Contents	33
Optimizing the Stack Configuration	34
One Stack Configuration	35
Two Stack Configuration	37
Installing the Autosampler	39
Flow Connections to the Autosampler	41
Installation of stainless steel clad PEEK capillaries	42

This chapter provides information on unpacking, checking on completeness, stack considerations and installation of the autosampler.



Unpacking the Autosampler

Damaged Packaging

If the delivery packaging shows signs of external damage, please call your Agilent Technologies sales and service office immediately. Inform your service representative that the instrument may have been damaged during shipment.

CAUTION

"Defective on arrival" problems

If there are signs of damage, please do not attempt to install the module. Inspection by Agilent is required to evaluate if the instrument is in good condition or damaged.

- Notify your Agilent sales and service office about the damage.
- An Agilent service representative will inspect the instrument at your site and initiate appropriate actions.

Delivery Checklist

Ensure all parts and materials have been delivered with the autosampler. For this compare the shipment content with the checklist included in each instrument box. Please report missing or damaged parts to your local Agilent Technologies sales and service office.

Table 4 Autosampler Checklist

Description	Quantity
Autosampler	1
Power cable	1
User manual on Documentation CD (part of the shipment - not module specific)	1
Accessory kit	1

Autosampler Accessory Kit Contents

p/n	Description
G5667-68755	Accessory kit (bio-inert)
G5667-60500	PEEK/SST capillary (bio-inert) 0.17 mm ID, 400 mm long
5181-1519	CAN cable, Agilent module to module, 1 m
5063-6527	Tubing assembly, i.d. 6 mm, o.d. 9 mm, 1.2 m (to waste)

Optimizing the Stack Configuration

If your module is part of a complete Agilent 1260 Infinity Liquid Chromatograph, you can ensure optimum performance by installing the following configurations. These configurations optimize the system flow path, ensuring minimum delay volume.

One Stack Configuration

Ensure optimum performance by installing the modules of the Agilent 1260 Infinity LC System in the following configuration (See [Figure 6](#) on page 35 and [Figure 7](#) on page 36). This configuration optimizes the flow path for minimum delay volume and minimizes the bench space required.

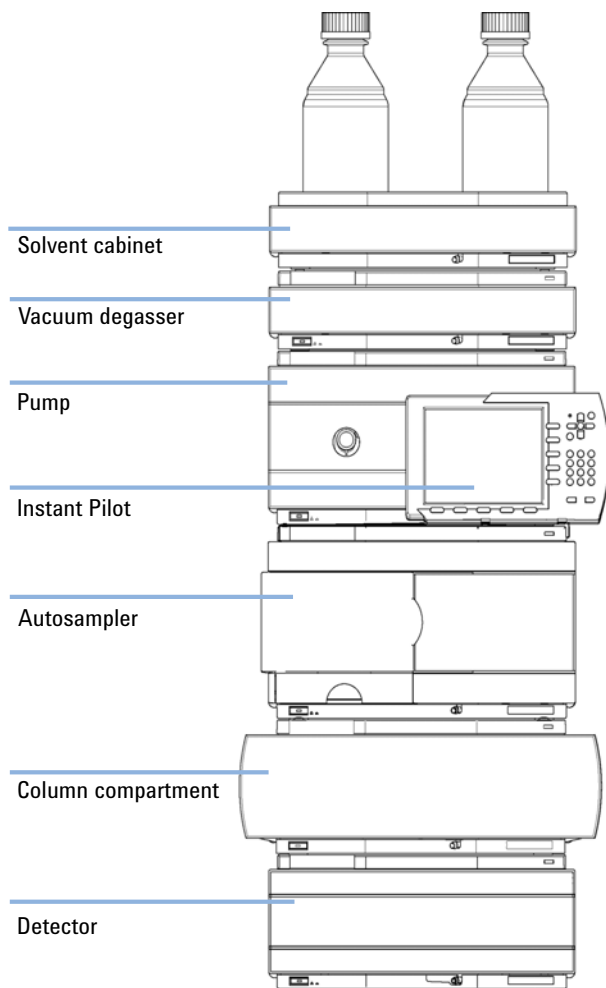


Figure 6 Recommended Stack Configuration for 1260 Infinity (Front View)

3 Installing the Autosampler

Optimizing the Stack Configuration

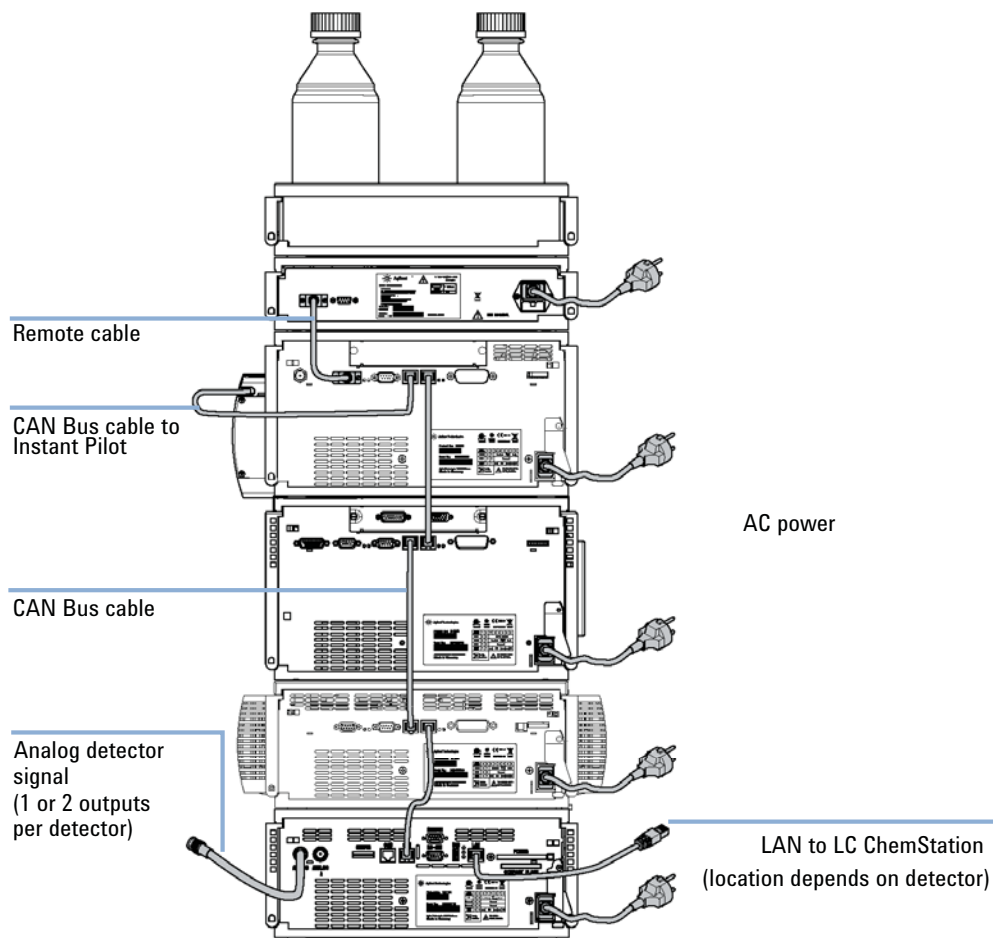


Figure 7 Recommended Stack Configuration for 1260 Infinity (Rear View)

Two Stack Configuration

To avoid excessive height of the stack when the autosampler thermostat is added to the system it is recommended to form two stacks. Some users prefer the lower height of this arrangement even without the autosampler thermostat. A slightly longer capillary is required between the pump and autosampler. (See [Figure 8](#) on page 37 and [Figure 9](#) on page 38).

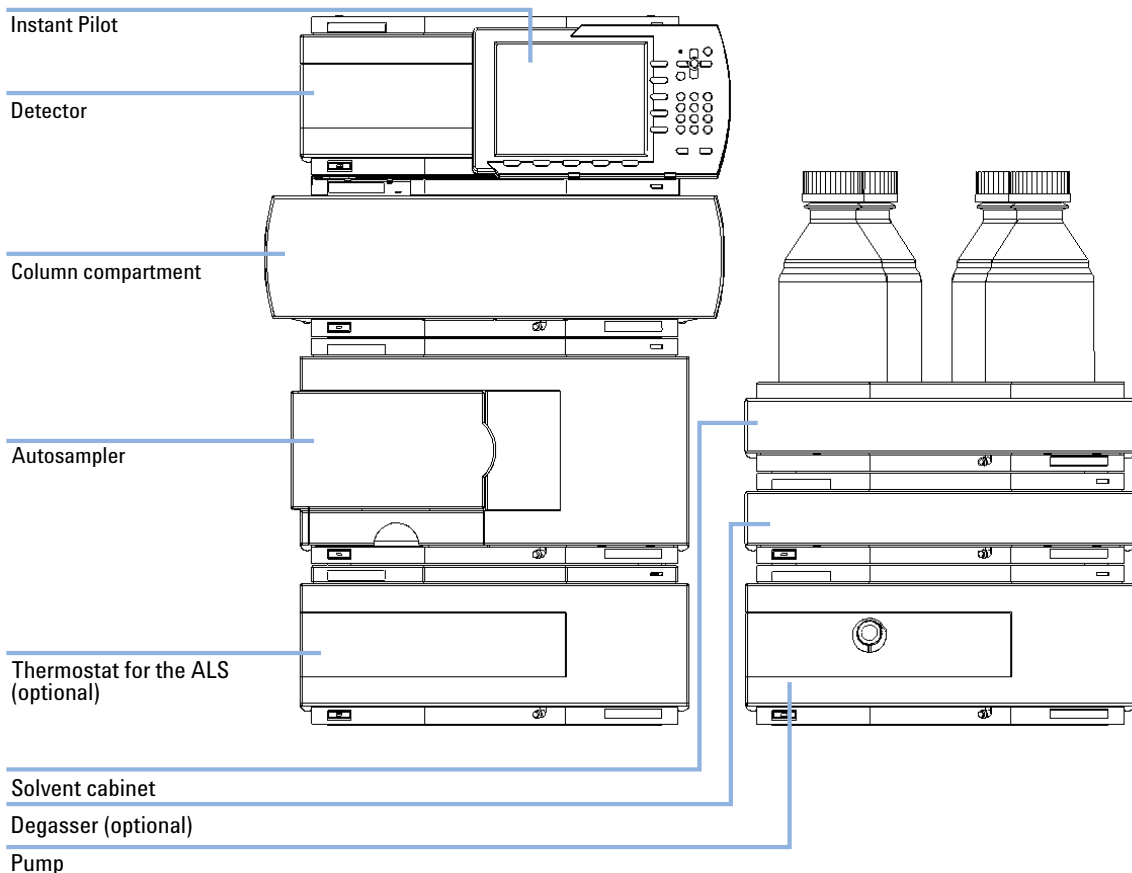


Figure 8 Recommended Two Stack Configuration for 1260 Infinity (Front View)

3 Installing the Autosampler

Optimizing the Stack Configuration

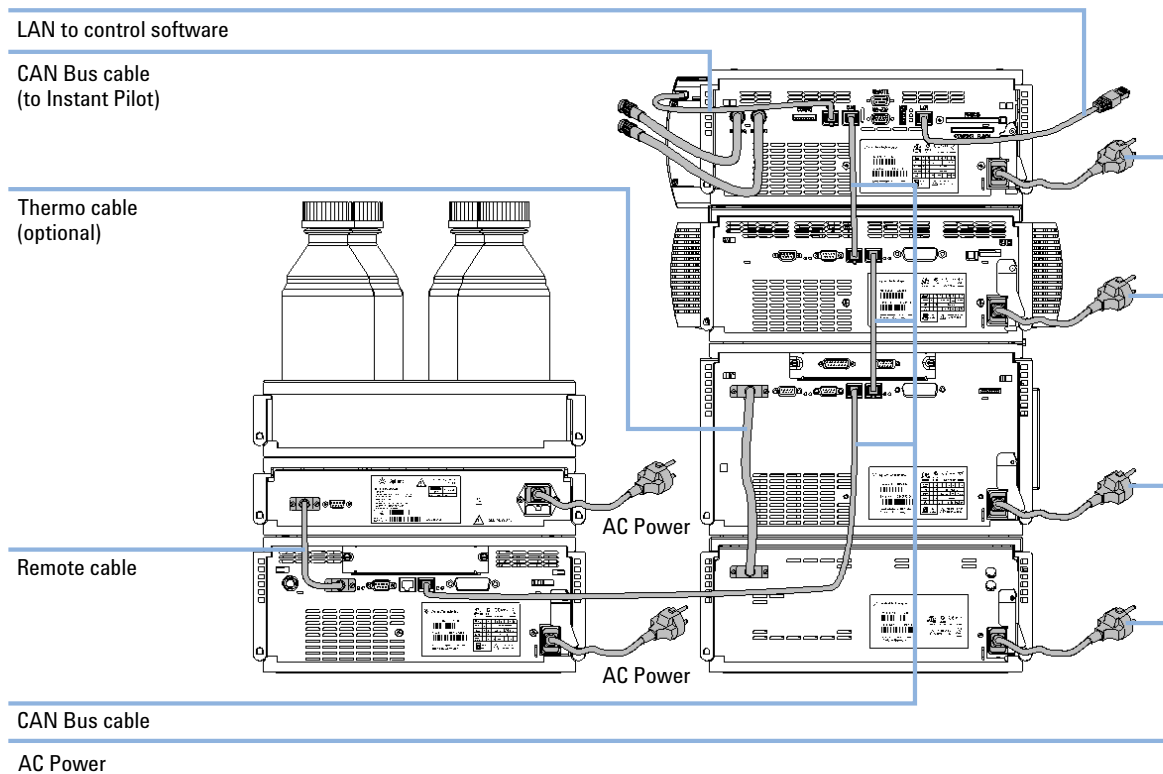


Figure 9 Recommended Two Stack Configuration for 1260 Infinity (Rear View)

Installing the Autosampler

Parts required	Description Autosampler Power cord
Hardware required	Other cables see below and section “Cable Overview” on page 164
Software required	ChemStation and/or Instant Pilot G4208A with the appropriate revisions.

WARNING

Module is partially energized when switched off, as long as the power cord is plugged in.

Repair work at the module can lead to personal injuries, e.g. shock hazard, when the cover is opened and the module is connected to power.

- Make sure that it is always possible to access the power plug.
- Remove the power cable from the instrument before opening the cover.
- Do not connect the power cable to the Instrument while the covers are removed.

CAUTION

"Defective on arrival" problems

If there are signs of damage, please do not attempt to install the module. Inspection by Agilent is required to evaluate if the instrument is in good condition or damaged.

- Notify your Agilent sales and service office about the damage.
- An Agilent service representative will inspect the instrument at your site and initiate appropriate actions.

- 1 Place the Autosampler in the stack, see [“Optimizing the Stack Configuration”](#) on page 34.
- 2 Ensure the power switch on the front of the module is OFF (switch stands out).

3 Installing the Autosampler

Installing the Autosampler

- 3 Connect the power cable to the power connector at the rear of the module.

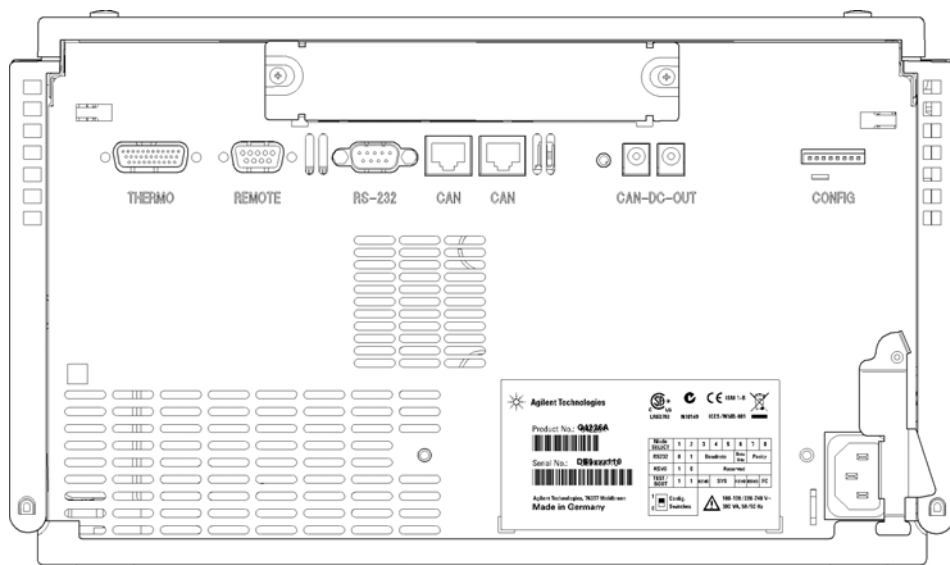


Figure 10 Rearview of Autosampler

- 4 Connect the CAN cable to other Agilent 1260 Infinity modules.
- 5 Connect the APG remote cable (optional) for non-Agilent instruments.
- 6 Turn on the power by pushing the button at the lower left hand side of the module.

The power button stays pressed in and the status LED should be green.

NOTE

When the line power button stands out and the green light is off, the module is turned off.

NOTE

The module was shipped with default configuration settings. For changing these settings, refer to section *Setting the 8-bit configuration switch*.

Flow Connections to the Autosampler

Parts required	Description System Capillaries and tubing from Accessory Kit.
-----------------------	----------------------------------------------------------------------------

Preparations	Autosampler is installed in system.
---------------------	-------------------------------------

NOTE

In an Agilent 1260 Infinity Liquid Chromatograph, the Autosampler is located between a Pump (above) and the Thermostatted Column Compartment (below), see [“Optimizing the Stack Configuration”](#) on page 34

WARNING

Toxic, flammable and hazardous solvents, samples and reagents

The handling of solvents, samples and reagents can hold health and safety risks.

- When working with these substances observe appropriate safety procedures (for example by wearing goggles, safety gloves and protective clothing) as described in the material handling and safety data sheet supplied by the vendor, and follow good laboratory practice.
- The volume of substances should be reduced to the minimum required for the analysis.
- Do not operate the instrument in an explosive atmosphere.

- 1 Open the front cover by pressing the button on the right side of the module.
- 2 Install the capillary from the pump outlet into the port 1 of the injection valve.
- 3 Install the capillary from the port 6 of the injection valve to the TCC.

NOTE

The Autosampler can only be operated with the front and side covers closed.

Installation of stainless steel clad PEEK capillaries

The Agilent 1260 Infinity Bio-inert LC System uses PEEK capillaries, which are clad with stainless steel, see “[Autosampler Accessory Kit Contents](#)” on page 33.



For bio-inert modules use bio-inert parts only!

These capillaries combine the high pressure stability of steel with the inertness of PEEK. They are used in the high pressure flow path after sample introduction (needle seat capillary) through the TCC/heat exchangers to the column. Such capillaries need to be installed carefully in order to keep them tight without damaging them by overtightening.

See *Agilent 1260 Infinity Bio-inert Quaternary LC System Manual* for correct installation.

CAUTION

Strong force/torque will damage SST clad PEEK capillaries

Be careful when installing stainless steel clad PEEK capillaries.

→ See *Agilent 1260 Infinity Bio-inert Quaternary LC System Manual* for correct installation.



4 LAN Configuration

Setting up the module in a LAN environment 44

Connecting the module via LAN 45

This chapter provides information on connecting the autosampler to the Agilent ChemStation PC.



4 LAN Configuration

Setting up the module in a LAN environment

Setting up the module in a LAN environment

It is not recommended to connect an Agilent 1260 Infinity system via the G5667A Autosampler. The detector is producing the most data in the stack, followed by the pump, and it is therefore highly recommended to use either of these modules for the LAN connection.

Connecting the module via LAN

If the module is being operated as a standalone module or if a connection via LAN is required regardless of above mentioned recommendation, a G1369B/C LAN card has to be used. For installation and configuration, see the G1369B/C documentation.

4 LAN Configuration

Connecting the module via LAN



5 Using the Module

Preparing the Autosampler	48
Setting up the Autosampler with Agilent ChemStation	52
Control Settings	56
Method Parameter Settings	57
Module Configuration	61
Main Screens of the Autosampler with Agilent Instant Pilot (G4208A)	62

This chapter provides information on how to set up the autosampler for an analysis and explains the basic settings.



Preparing the Autosampler

Preparing the Autosampler

For best performance of the autosampler

- When using the Autosampler in a system with a vacuum degassing unit, shortly degas your samples before using them in the autosampler.
- Filter samples before use in 1260 system. Use High pressure filter kit (p/n 5067-4638) for inline filtering.
- When using buffer solutions, flush the system with water before switching it off.
- Check the autosampler plungers for scratches, grooves and dents when changing the piston seal. Damaged plungers cause micro leaks and will decrease the lifetime of the seal.
- Priming and Purging the System - When the solvents have been exchanged or the system has been turned off for a certain time (for example, overnight) oxygen will re-diffuse into the solvent channel. Therefore priming and purging of the system is required before starting an application.

Table 5 Choice of Priming Solvents for Different Purposes

Activity	Solvent	Comments
After an installation	Isopropanol	Best solvent to flush air out of the system
When switching between reverse phase and normal phase (both times)	Isopropanol	Best solvent to flush air out of the system
After an installation	Ethanol or methanol	Alternative to isopropanol (second choice) if no isopropanol is available
To clean the system when using buffers	Bidistilled water	Best solvent to re-dissolve buffer crystals
After a solvent change	Bidistilled water	Best solvent to re-dissolve buffer crystals

Solvent Information

Observe the following recommendations on the use of solvents.

- Follow recommendations for avoiding the growth of algae, see pump manuals.
- Small particles can permanently block capillaries and valves. Therefore, always filter solvents through 0.4 µm filters.
- Avoid or minimize the use of solvents that may corrode parts in the flow path. Consider specifications for the pH range given for different materials like flow cells, valve materials etc. and recommendations in subsequent sections.

Solvent information for parts of the 1260 Infinity Bio-inert LC system

For the Agilent 1260 Infinity Bio-inert LC system, Agilent Technologies uses highest quality materials (see “[Bio-inert Materials](#)” on page 11) in the flow path (also referred to as wetted parts), which are widely accepted by life scientists, as they are known for optimum inertness to biological samples, and ensure best compatibility to common samples and solvents over a wide pH range. Explicitly, the complete flow path is free from stainless steel and free from other alloys containing metals such as iron, nickel, cobalt, chromium, molybdenum or copper, which can interfere with biological samples. The flow downstream of the sample introduction contains no metals whatsoever.

However, there are no materials that combine suitability for versatile HPLC instrumentation (valves, capillaries, springs, pump heads, flow cells etc.) with complete compatibility with all possible chemicals and application conditions. This section recommends the preferred solvents. Chemicals that are known to cause issues should be avoided, or exposure should be minimized, for example, for short-term cleaning procedures. After potentially aggressive chemicals have been used, the system should be flushed with compatible standard HPLC solvents.

PEEK

PEEK (Polyether-Ether Ketones) combines excellent properties with regard to biocompatibility, chemical resistance, mechanical and thermal stability and is therefore the material of choice for biochemical instrumentation. It is stable in the specified pH range, and inert to many common solvents. There is still a number of known incompatibilities with chemicals such as chloroform, methylene chloride, THF, DMSO, strong acids (nitric acid > 10 %, sulphuric acid > 10 %, sulfonic acids, trichloroacetic acid), halogenes or aqueous halogene solutions, phenol and derivatives (cresols, salicylic acid etc.).

When used above room temperature, PEEK is sensitive to bases and various organic solvents, which can cause it to swell. As normal PEEK capillaries are very sensitive to high pressure, especially under such conditions, Agilent uses stainless-steel clad PEEK capillaries to keep the flow path free of steel and to ensure pressure stability to at least 600 bar. If in doubt, consult the available literature about the chemical compatibility of PEEK.

Titanium

Titanium is highly resistant to oxidizing acids (for example, nitric, perchloric and hypochlorous acid) over a wide range of concentrations and temperatures. This is due to a thin oxide layer on the surface, which is stabilized by oxidizing compounds. Reducing acids (for example, hydrochloric, sulfuric and phosphoric acid) can cause slight corrosion, which increases with acid concentration and temperature. For example, the corrosion rate with 3 % HCl (about pH 0.1) at room temperature is about 13 $\mu\text{m}/\text{year}$. At room temperature, titanium is resistant to concentrations of about 5 % sulfuric acid (about pH 0.3). The addition of nitric acid to hydrochloric or sulfuric acids significantly reduces corrosion rates. Titanium is subject to corrosion in anhydrous methanol, which can be avoided by adding a small amount of water (about 3 %). Slight corrosion is possible with ammonia > 10 %.

Fused silica

Fused silica is inert against all common solvents and acids except hydrofluoric acid. It is corroded by strong bases and should not be used above pH 12 at room temperature. The corrosion of flow cell windows can negatively affect measurement results. For a pH greater than 12, the use of flow cells with sapphire windows is recommended.

Gold

Gold is inert to all common HPLC solvents, acids and bases within the specified pH range. It can be corroded by complexing cyanides and concentrated acids like aqua regia (a mixture of concentrated hydrochloric and nitric acid).

Zirconium Oxide

Zirconium Oxide (ZrO_2) is inert to almost all common acids, bases and solvents. There are no documented incompatibilities for HPLC applications.

Platinum/Iridium

Platinum/Iridium is inert to almost all common acids, bases and solvents. There are no documented incompatibilities for HPLC applications.

PTFE

PTFE (polytetrafluorethen) is inert to almost all common acids, bases and solvents. There are no documented incompatibilities for HPLC applications.

Sapphire, Ruby and Al_2O_3 -based ceramics

Sapphire, ruby and ceramics based on Al_2O_3 are inert to almost all common acids, bases and solvents. There are no documented incompatibilities for HPLC applications.

Data above were collected from external resources and are meant as a reference. Agilent cannot guarantee the completeness and correctness of such information. Information can also not be generalized due to catalytic effects of impurities like metal ions, complexing agents, oxygen etc. Most data available refers to room temperature (typically 20 – 25 °C, 68 – 77 °F). If corrosion is possible, it usually increases at higher temperatures. If in doubt, consult additional resources.

5 Using the Module

Setting up the Autosampler with Agilent ChemStation

Setting up the Autosampler with Agilent ChemStation

The setup of the Autosampler is shown with the Agilent ChemStation B.04.02. SP1 DSP3. Depending on the controller (e.g. Agilent Instant Pilot, EZChrom Elite) the screens look different. For the Instant Pilot refer to [“Main Screens of the Autosampler with Agilent Instant Pilot \(G4208A\)”](#) on page 62.

NOTE

This section describes the autosampler settings only. For information on the Agilent ChemStation or other 1260 Infinity modules refer to the corresponding documentation.

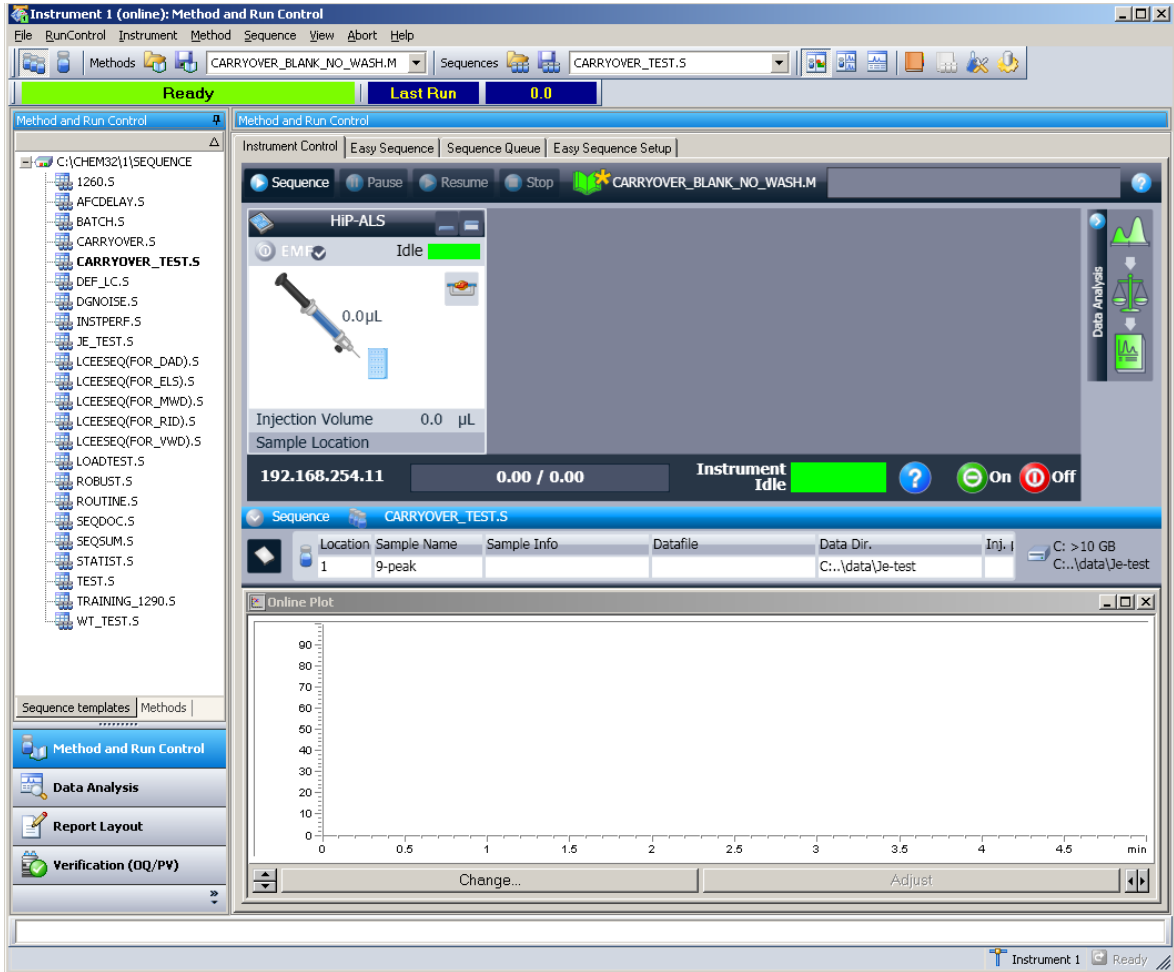


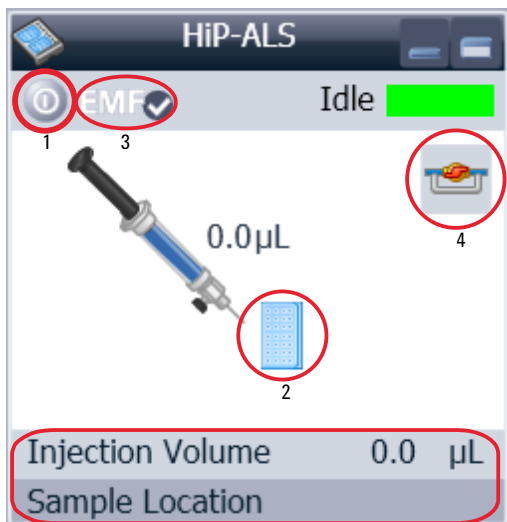
Figure 11 ChemStation Method & Run Control

After successful load of the ChemStation, you should see the module as an active item in the graphical user interface (GUI).

5 Using the Module

Setting up the Autosampler with Agilent ChemStation

The Autosampler User Interface

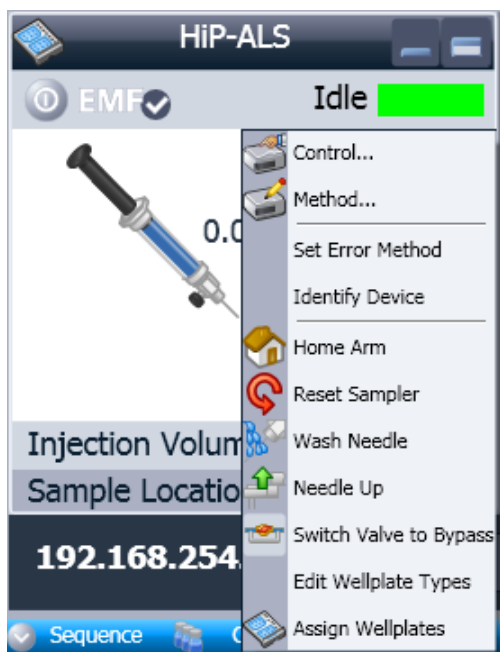


Within the Autosampler user interface, there are active areas. If you move the mouse cursor across the icons (tray, EMF button), the cursor will change and you may click on the icon to

- Turn on/off the autosampler (1)
- Configure the sample tray (2)
- Get the status of the EMF (Early Maintenance Feature) (3)
- Switch injection valve to Mainpass / Bypass (4)

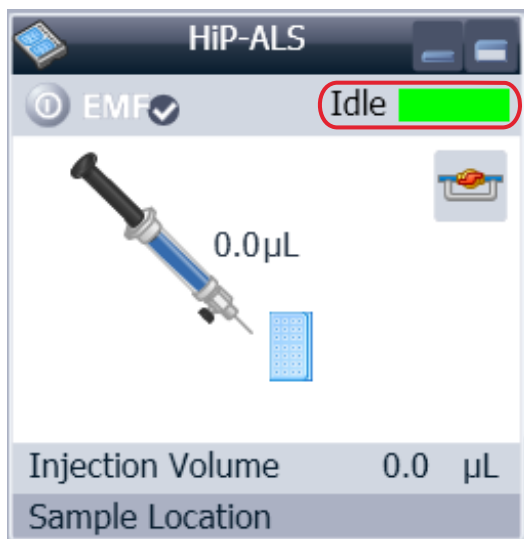
Instrument actuals Information

- Injection volume
- Sample location



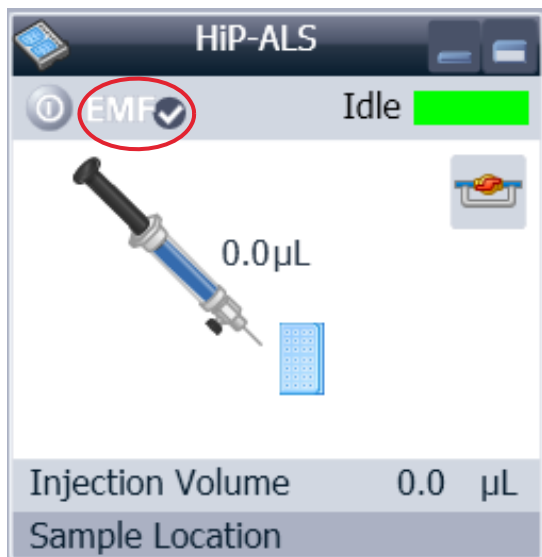
A right-click into the **Active Area** will open a menu to

- Show the **Control** User Interface (special module settings)
- Show the **Method** User interface (same as via menu Instrument – Setup G1367E)
- **Set Error Method**
- **Identify Device**
- **Home Arm**
- **Reset Sampler**
- **Wash Needle**
- **Needle Up**
- Valve Mainpass / Bypass (same as click on the valve icon)
- **Switch on Tray Illumination**
- **Edit Well Plate Types**
- Wellplate Configuration (same as click on the Tray icon)



Module Status shows Run / Ready / Error state and “Not Ready text” or “Error text”.

- Error (Red)
- Not ready (yellow)
- Ready (green)
- Pre run, Post run (purple)
- Run (blue)
- Idle (green)
- Offline (dark gray)
- Standby (light gray)



EMF Status shows Run / Ready / Error state and “Not Ready text” or “Error text”.

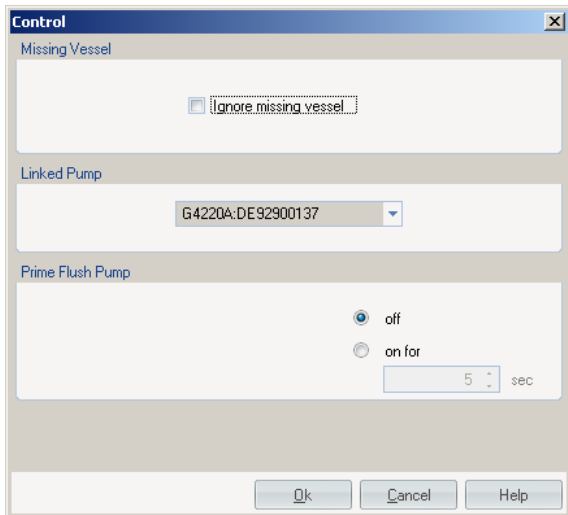
- Offline (gray)
- Ok. No Maintenance required (green)
- EMF warning. Maintenance might be required (yellow)
- EMF warning. Maintenance required (red)

5 Using the Module

Setting up the Autosampler with Agilent ChemStation

Control Settings

These settings are available via right click on the Active Area of the ALS GUI.



Missing Vessel: The handling of missing vessels can be configured.

Linked Pump: To configure which pump delivers flow to the Autosampler.

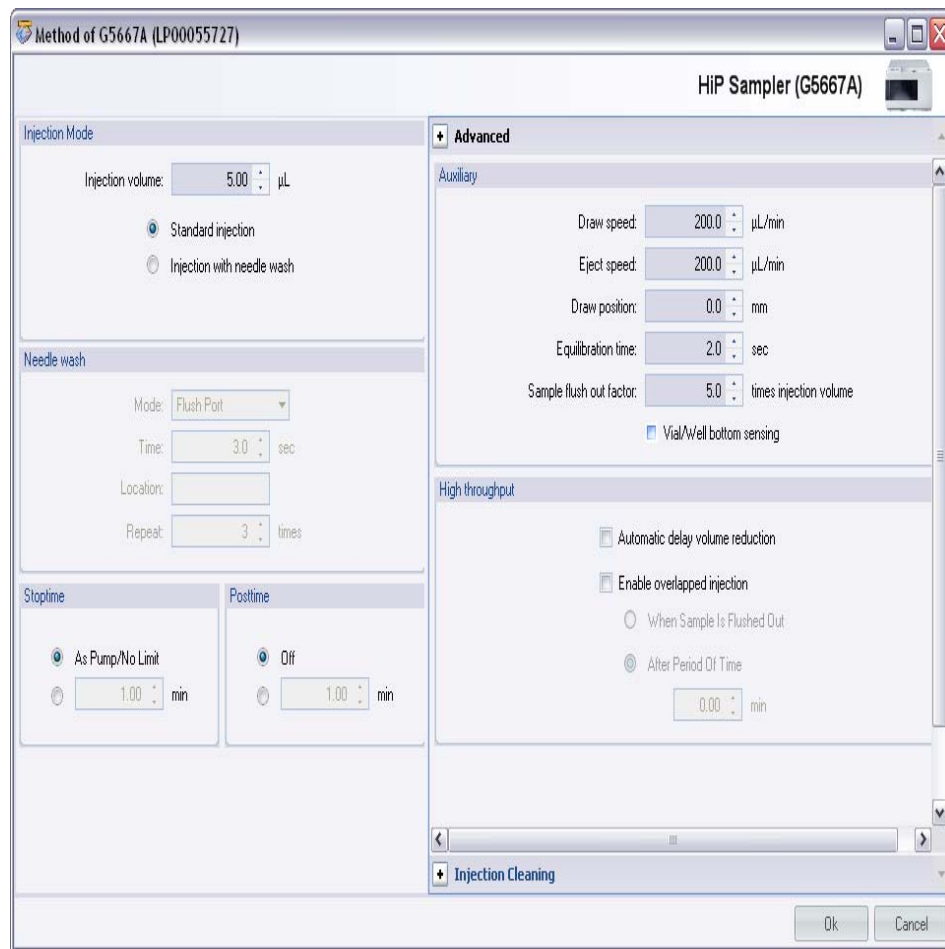
Prime Flush Pump: Priming the Needle wash flush pump.

Method Parameter Settings

These settings are available via **Menu > Instrument > Setup Agilent 1260 Infinity Autosampler** or via right click on the Active area.

NOTE

The signal window in the lower part is not shown when opening the parameter settings via right mouse on the Autosampler user interface.



5 Using the Module

Setting up the Autosampler with Agilent ChemStation

Injection Mode

Injection Mode

Injection volume: 1.00 µL

Standard injection

Injection with needle wash

The settable **Injection volume** range is from 0.1 – 20.0 µL. Select to use **Standard injection** or **Injection with Needle wash**.

Needle wash

Needle wash

Mode: Flush Port

Time: 3.0 sec

Location:

Repeat: 3 times

It is possible to select between using the built in flush port of the Autosampler or using a non-capped vial. Using **needle wash** is required to obtain minimum carry-over.

Stop Time

Stoptime

No Limit

1.00 min

An autosampler **Stop Time** can be set.

Injection Cleaning

The screenshot shows the 'Injection Valve Cleaning' configuration window. It includes the following settings:

Time	Checked	Value	Unit
Time 1	<input checked="" type="checkbox"/>	0.01	min (Bypass)
Time 2	<input type="checkbox"/>	0.01	min (Mainpass/Bypass)
Time 3	<input type="checkbox"/>	0.01	min (Mainpass/Bypass)
Time 4	<input type="checkbox"/>	0.01	min (Mainpass/Bypass)
Valve movements:		0	

The **Injection Valve Cleaning** section allows you to specify the valve switching times at the end of overlap or sample flush.

Times 1 ... 4 are the times when the valve switches to bypass (for time 1) or to mainpass and bypass (for times 2, 3 and 4). The times must be specified in ascending order.

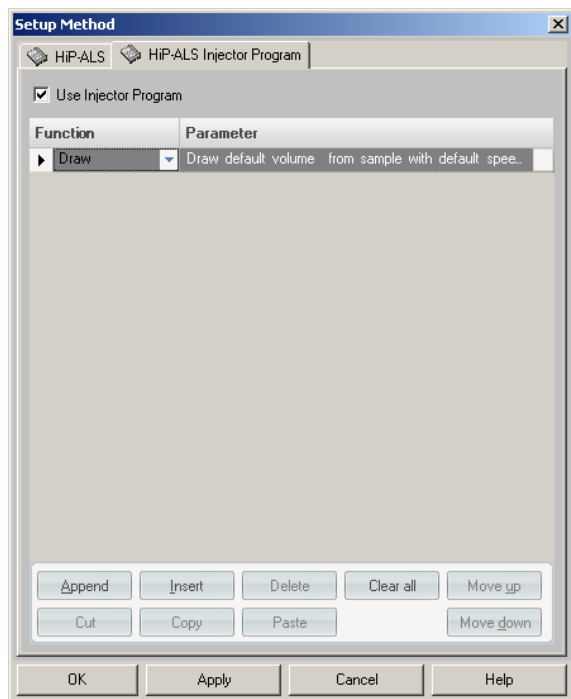
You can also switch the times to off. Between the first and second, and second and third valve switches, a rinse is executed using the rinse volumes specified in the Injector Cleaning section.

Valve movements specifies the number of times that the valve switches from mainpass to bypass at times 2, 3 and 4 in the field. The maximum value is 2; default is 1.

5 Using the Module

Setting up the Autosampler with Agilent ChemStation

Injection Program



The pretreatment/injector program comprises a series of numbered lines, each specifying an operation that the autosampler carries out sequentially. When you activate a pretreatment/injector program, it replaces the standard injection cycle.

Select **Append** to add the contents of the edit line to the end of the table.

Select **Insert** to insert the contents of the edit line above the currently-selected line.

Select **Delete** to delete the currently selected line.

Select **Clear All** to clear all pretreatment/injector program functions from the table.

Select **Move up** to move the currently selected line one position up in the order of execution.

Select **Move down** to move the currently selected line one position down in the order of execution.

Select **Cut** to delete the currently-selected line and place it on the clipboard.

Select **Copy** to copy the currently selected line to the clipboard.

Select **Paste** to paste the line on the clipboard at the current position.

Module Configuration

These settings are available via menu **Instrument > More 1260 Infinity ALS > Autosampler Configuration**.

HIP Autosampler Configuration: Instrument 1

Communication

Device name: HIP Sampler

Type ID: G5667A

Serial number: LP00055727

Firmware revision: T.06.33 [004]

Connection settings...

Options

Syringe: 100 µL

Seat Capillary: 2.3 µL

Max. injection volume: 100.00 µL

External contacts board installed

use BCD port for

Location Binary Output

BCD port output format

BCD Binary

Thermostat installed

Flexible Cube installed

Rinse valve installed

Rinse valve enabled

Define Wellplates...

OK Cancel Help

Device name: based on the module.

Type ID: based on the module (product number). Some modules may allow changing the type based on hardware/firmware. This results in a change of features and functions.

Serial number: based on the module.

Firmware revision: based on the module.

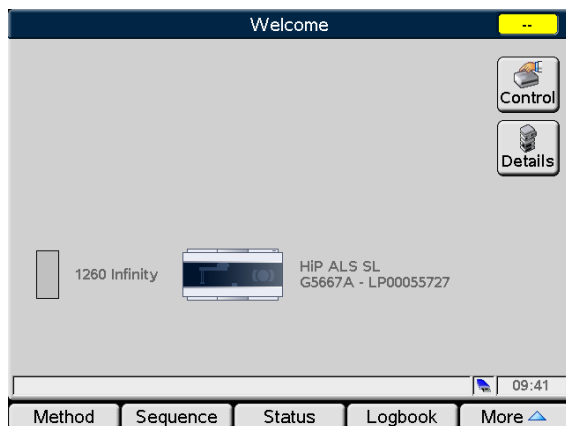
Options: lists installed options.

5 Using the Module

Main Screens of the Autosampler with Agilent Instant Pilot (G4208A)

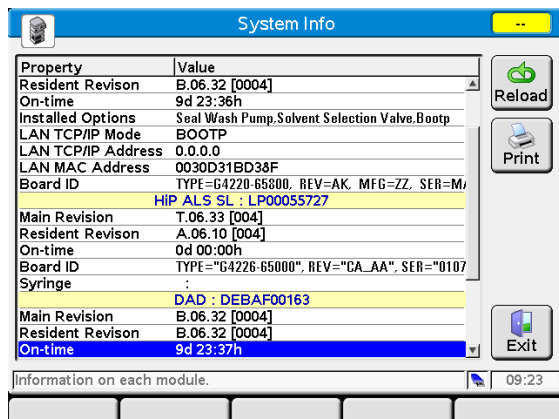
Main Screens of the Autosampler with Agilent Instant Pilot (G4208A)

Below the main screens for the use of the detector are shown.



The **Control** screen allows

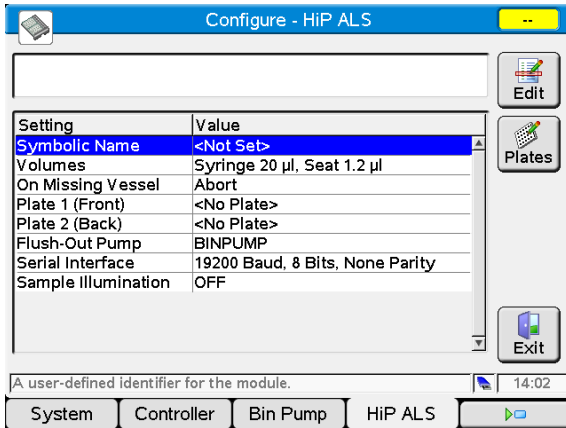
- System: On/Off
- System: Get Ready
- System: Clear Errors
- HIP ALS: Wash needle



The **System Info** screen lists details of the autosampler

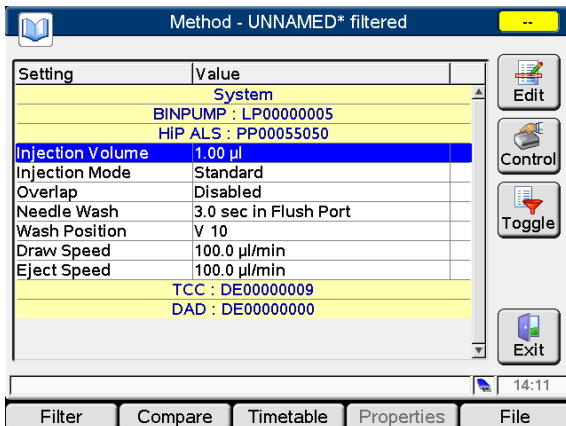
- Firmware revision
- On-time
- Main Board information
- Transport assembly information
- Sampling unit information
- Syringe information

Main Screens of the Autosampler with Agilent Instant Pilot (G4208A)



The **Configure** screen allows to configure

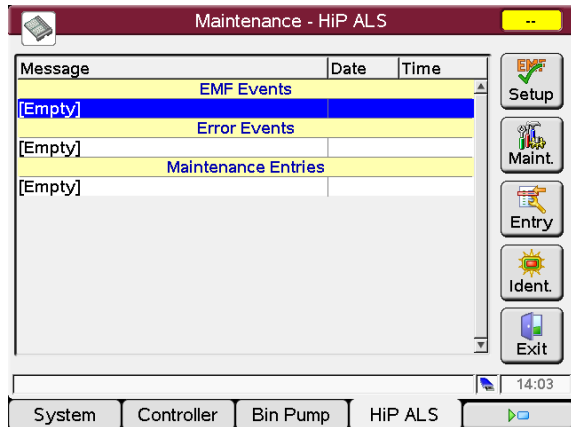
- Symbolic Name of module
- Volumes
- On Missing Vessel behaviour
- Plate configuration
- Flush-Out Pump
- Serial Interface configuration
- Sample Illumination



The **Method** screen lists all method parameters of the autosampler. These can be edited.

5 Using the Module

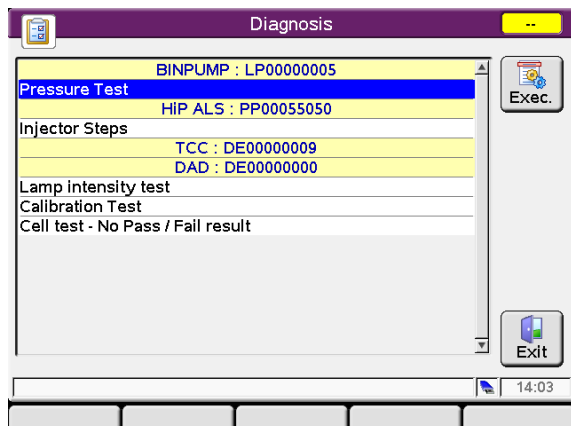
Main Screens of the Autosampler with Agilent Instant Pilot (G4208A)



The **Maintenance** screen allows

- EMF setup
- logging of maintenance activities
- module identification (blinking LED)

Firmware updates can be done via the System Maintenance screen.



The **Diagnosis** screen provides access to module specific tests.

- Injector steps



6 Optimizing Performance

Delay Volume and Extra-Column Volume	66
Delay Volume	66
How to Configure the Optimum Delay Volume	67
How to Achieve Higher Injection Volumes	69
How to Achieve High Throughput	71
How to Achieve Higher Resolution	72
How to Achieve Higher Sensitivity	75
How to Achieve Lowest Carry Over	76

This chapter gives hints on how to optimize the performance or use additional devices.



Delay Volume and Extra-Column Volume

The *delay volume* is defined as the system volume between the point of mixing in the pump and the top of the column.

The *extra-column volume* is defined as the volume between the injection point and the detection point, excluding the volume in the column.

Delay Volume

In gradient separations, this volume causes a delay between the mixture changing in the pump and that change reaching the column. The delay depends on the flow rate and the delay volume of the system. In effect, this means that in every HPLC system there is an additional isocratic segment in the gradient profile at the start of every run. Usually the gradient profile is reported in terms of the mixture settings at the pump and the delay volume is not quoted even though this will have an effect on the chromatography. This effect becomes more significant at low flow rates and small column volumes and can have a large impact on the transferability of gradient methods. It is important, therefore, for fast gradient separations to have small delay volumes, especially with narrow bore columns (e.g., 2.1 mm i.d.) as often used with mass spectrometric detection.

The delay volume in a system includes the volume in the pump from the point of mixing, connections between pump and autosampler, volume of the flow path through the autosampler and connections between autosampler and column.

How to Configure the Optimum Delay Volume

For very fast gradients over 0.5 min the delay volume of the system can be easily reduced without changing the physical configuration of the system. The change is achieved by changing the behavior of the autosampler.

The 270 μL delay volume of the autosampler is due to the flow path from the injection valve through the metering device, needle, needle seat and connecting capillaries back to the injection valve (see [Figure 12](#) on page 68). To make an injection the valve switches from mainpass to bypass so that the metering device can draw the sample into the needle capillary. The injection is made when the valve switches back to mainpass and the sample is flushed onto the column. The valve remains in this position during analysis so that the autosampler is continually flushed and hence the gradient has to flow through this delay volume to reach the column. This can be eliminated by switching the injection valve from mainpass to bypass after the injection has been made and the injected sample has been flushed onto the column. In practice this can be done a few seconds after injection and is activated by selecting the “Automatic Delay Volume Reduction” (ADVR) function in the autosampler setup menu. The Flush-out Factor (typically 5 times injection volume) ensures that enough time is allowed to flush the sample out of the injector before switching to bypass. For instance a 1 μL injection under standard conditions effectively reduces the system delay volume by approximately 250 μL .

6 Optimizing Performance

How to Configure the Optimum Delay Volume

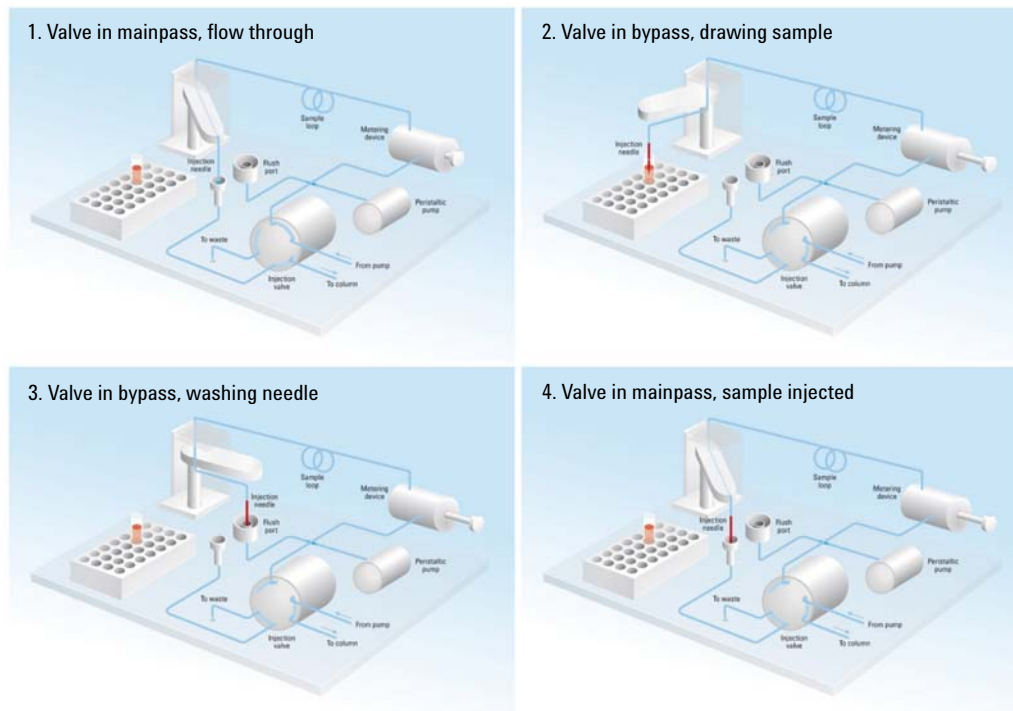


Figure 12 Schematic of injection steps in 1260 Infinity Autosampler

When using ADVR it should be noted that the gradient has already started at the pump at the instant of injection. The question should be asked whether the gradient has already reached the autosampler, in which case a small step in the gradient will result. This happens when the delay volume is less than the flush-out volume and is not necessarily a problem but may be a factor to be considered in a method transfer. With a flush-out factor of 5 and an injection volume of 10 μL , the autosampler will allow 50 μL to pass through before switching to bypass which, with a delay volume of 50 μL , means the gradient just reached the injection valve. Smaller injection volumes will have no effect but for larger injection volumes this will introduce a small step in the gradient. The flow rate in use will also have an impact on the decision to use ADVR or not. At 0.2 mL/min the delay time saved is 21 seconds while at 1.0 mL/min it is 4 seconds.

The ADVR function is unlikely to be suitable for applications involving compounds which are known to cause carry-over problems.

How to Achieve Higher Injection Volumes

The standard configuration of the Agilent 1260 Infinity Bio-inert Autosampler can inject a maximum volume of 100 μl with the bio-inert loop capillary. To increase the injection volume the Multidraw upgrade kit (p/n G5667-68711) can be installed. With the kit you can add a maximum of 400 μl or 1400 μl to the injection volume of your injector. The total volume is then 500 μl or 1500 μl for the autosampler with 100 μl analytical head. Note the delay volume of your autosampler is extended when using the extended seat capillaries from the multi-draw kit. When calculating the delay volume of the autosampler you have to double the volume of the extended capillaries. The delay volume can be reduced by bypassing the autosampler once the sample has reached the head of the column. The system delay volume due to the autosampler will increase accordingly.

Whenever a method is scaled down from a larger column to a smaller column it is important that the method translation makes an allowance for reducing the injection volume in proportion to the volume of the column to maintain the performance of the method. This is to keep the volume of the injection at the same percentage volume with respect to the column. This is particularly important if the injection solvent is stronger (more eluotropic) than the starting mobile phase and any increase will affect the separation particularly for early running peaks (low retention factor). In some cases it is the cause of peak distortion and the general rule is to keep the injection solvent the same or weaker than the starting gradient composition. This has a bearing on whether, or by how much, the injection volume can be increased and the user should check for signs of increased dispersion (wider or more skewed peaks and reduced peak resolution) in trying to increase the injection size. If an injection is made in a weak solvent then the volume can probably be increased further because the effect will be to concentrate the analyte on the head of the column at the start of the gradient. Conversely if the injection is in a stronger solvent than the starting mobile phase then increased injection volume will spread the band of analyte down the column ahead of the gradient resulting in peak dispersion and loss of resolution.

Perhaps the main consideration in determining injection volume is the diameter of the column as this will have a big impact on peak dispersion. Peak heights can be higher on a narrow column than with a larger injection on a wider column because there is less peak dispersion. With 2.1 mm i.d. columns

6 Optimizing Performance

How to Achieve Higher Injection Volumes

typical injection volumes might range up to 5 to 10 μl but it is very dependent on the chemistry of the analyte and mobile phase as discussed above. In a gradient separation injection volumes of about 5 % of the column volume might be achieved whilst maintaining good resolution and peak dispersion.

One way to achieve larger injections is to use a trapping column selected by a switching valve to capture and concentrate the injection before switching it, i.e. injecting it, onto an analytical column, see [Figure 13](#) on page 70. The valve can be conveniently located in the Thermostatted Column Compartment.

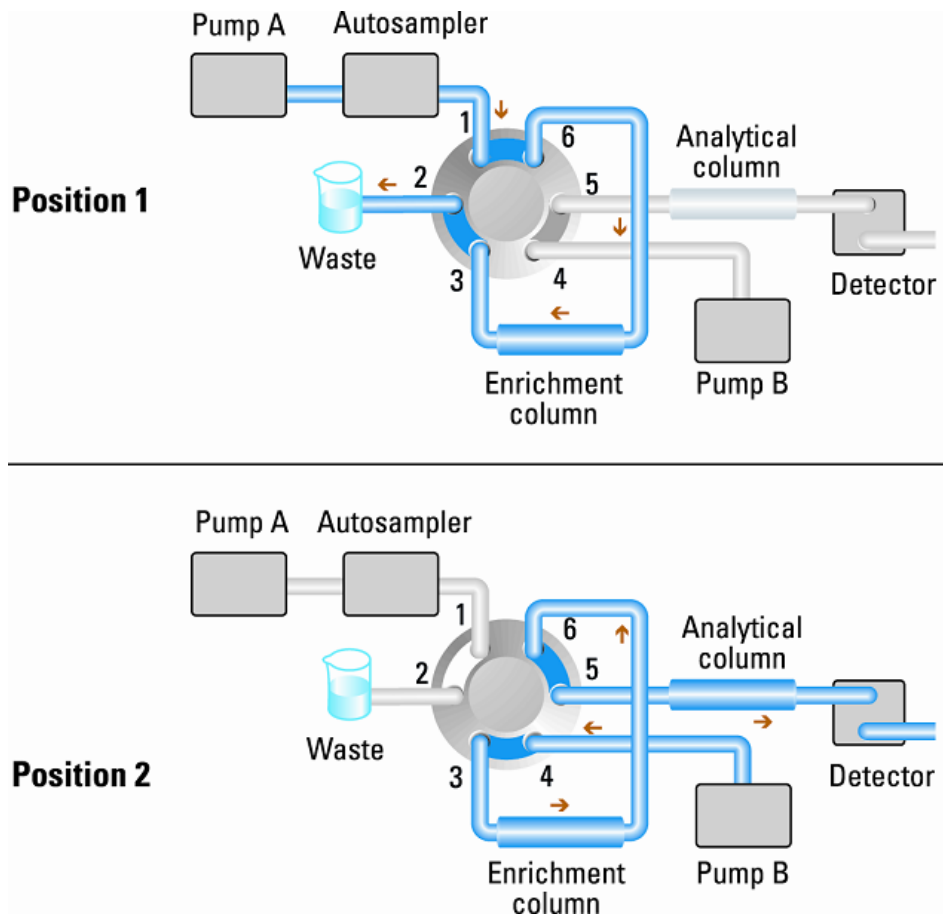


Figure 13 Sample enrichment

How to Achieve High Throughput

The injection can be optimized for speed remembering that drawing the sample too fast can reduce the reproducibility. Marginal gains are to be made here as the sample volumes used tend towards the smaller end of the range in any case. A significant portion of the injection time is the time taken with the needle movements to and from the vial and into the flush port. These manipulations can be performed while the previous separation is running. This is known as "overlapped injection" and it can be easily turned on from the autosampler setup screen in the ChemStation Control Software. The autosampler can be told to switch the flow through the autosampler to bypass after the injection has been made and then after, for example, 3 minutes into a 4 minutes run to start the process of aspirating the next sample and preparing for injection. This can typically save 0.5 to 1 minute per injection.

How to Achieve Higher Resolution

Increased resolution in a separation will improve the qualitative and quantitative data analysis, allow more peaks to be separated or offer further scope for speeding up the separation. This section considers how resolution can be increased by examining the following points:

- Optimize selectivity
- Smaller particle-size packing
- Longer Columns
- Shallower gradients, faster flow

Resolution between two peaks is described by the resolution equation:

$$R_s = \frac{1}{4} \sqrt{N} \frac{(\alpha - 1)}{\alpha} \frac{(k_2 + 1)}{k_2}$$

where

- R_s =resolution,
- N =plate count (measure of column efficiency),
- α =selectivity (between two peaks),
- k_2 =retention factor of second peak (formerly called capacity factor).

The term that has the most significant effect on resolution is the selectivity, α , and practically varying this term involves changing the type of stationary phase (C18, C8, phenyl, nitrile etc.), the mobile phase and temperature to maximize the selectivity differences between the solutes to be separated. This is a substantial piece of work which is best done with an automated method development system which allows a wide range of conditions on different columns and mobile phases to be assessed in an ordered scouting protocol. This section considers how to get higher resolution with any chosen stationary and mobile phases. If an automated method development system was used in the decision on phases it is likely that short columns were used for fast analysis in each step of the scouting.

The resolution equation shows that the next most significant term is the plate count or efficiency, N , and this can be optimized in a number of ways. N is inversely proportional to the particle size and directly proportional to the length of a column and so smaller particle size and a longer column will give a higher plate number. The pressure rises with the inverse square of the particle size and proportionally with the length of the column. This is the reason that the 1260 Infinity LC system was designed to go to 600 bar so that it can run sub-two-micron particles and column length can be increased to 100 mm or 150 mm. There are even examples of 100 mm and 150 mm columns linked to give 250 mm length. Resolution increases with the square root of N so doubling the length of the column will increase resolution by a factor of 1.4. What is achievable depends on the viscosity of the mobile phase as this relates directly to the pressure. Methanol mixtures will generate more back pressure than acetonitrile mixtures. Acetonitrile is often preferred because peak shapes are better and narrower in addition to the lower viscosity but methanol generally yields better selectivity (certainly for small molecules less than about 500 Da). The viscosity can be reduced by increasing the temperature but it should be remembered that this can change the selectivity of the separation. Experiment will show if this leads to increase or decrease in selectivity. As flow and pressure are increased it should be remembered that frictional heating inside the column will increase and that can lead to slightly increased dispersion and possibly a small selectivity change both of which could be seen as a reduction in resolution. The latter case might be offset by reducing the temperature of the thermostat by a few degrees and again experiment will reveal the answer.

The van Deemter curve shows that the optimum flow rate through an STM column is higher than for larger particles and is fairly flat as the flow rate increases. Typical, close to optimum, flow rates for STM columns are: 2 ml/min for 4.6 mm i.d.; and 0.4 ml/min for 2.1 mm i.d. columns.

6 Optimizing Performance

How to Achieve Higher Resolution

In isocratic separations, increasing the retention factor, k , results in better resolution because the solute is retained longer. In gradient separations the retention is described by k^* in the following equation:

$$k^* = \frac{t_G}{\Delta\%B} \cdot \frac{F}{V_m} \cdot \frac{100}{S}$$

where:

- k^* = mean k value,
- t_G = time length of gradient (or segment of gradient) (min),
- F = flow (ml/min),
- V_m = column delay volume,
- $\Delta\%B$ = change in fraction of solvent B during the gradient,
- S = constant (ca. 4-5 for small molecules).

This shows that k and hence resolution can be increased by having a shallower gradient (2 to 5 %/min change is a guideline), higher flow rate and a smaller volume column. This equation also shows how to speed up an existing gradient – if the flow is doubled but the gradient time is halved, k^* remains constant and the separation looks the same but happens in half the time. Recently published research has shown how a shorter STM column (at temperatures above 40 °C) can generate higher peak capacity than a longer STM column by virtue of running it faster. (Refer to *Petersson et al., J.Sep.Sci, 31, 2346-2357, 2008, Maximizing peak capacity and separation speed in liquid chromatography*).

How to Achieve Higher Sensitivity

The sensitivity of a separation method is linked to the choice of stationary and mobile phases as good separation with narrow peaks and a stable baseline with minimal noise are desirable. The choice of instrument configuration will have an effect and a major impact is the setup of the detector. This section considers how sensitivity is affected by:

- Pump mixer volume
- Narrower columns
- Detector flow cell
- Detector parameters

In addition, the discussion on detector parameters also mentions the related topics of selectivity and linearity.

Columns

Sensitivity is specified as a signal-to-noise ratio (S/N) and hence the need to maximize peak height and minimize baseline noise. Any reduction in peak dispersion will help to maintain peak height and so extra-column volume should be minimized by use of short, narrow internal diameter, connection capillaries and correctly installed fittings. Using smaller inner diameter columns should result in higher peak height and is therefore ideal for applications with limited sample amounts. If the same sample amount can be injected on a smaller i.d. column, then the dilution due to column diameter will be less and the sensitivity will increase. For example, decreasing the column i.d. from 4.6 mm to 2.1 mm results in a theoretical gain in peak height of 4.7 times due to the decreased dilution in the column. For a mass spectrometer detector, the lower flow rates of narrow columns can result in higher ionization efficiencies and therefore higher sensitivity.

How to Achieve Lowest Carry Over

Carryover is measured when residual peaks from a previous active-containing injection appear in a subsequent blank solvent injection. There will be carry over between active injections which may lead to erroneous results. The level of carryover is reported as the area of the peak in the blank solution expressed as a percentage of the area in the previous active injection. The Agilent 1260 Infinity autosampler is optimized for lowest carryover by careful design of the flow path and use of materials in which sample adsorption is minimized. A carryover figure of 0.002 % should be achievable even when a triple quadrupole mass spectrometer is the detector. Operating settings of the autosampler allow the user to set appropriate parameters to minimize carryover in any application involving compounds liable to stick in the system.

The following functions of the autosampler can be used to minimize carryover:

- Internal needle wash
- External needle wash
- Needle seat backflush
- Injection valve cleaning

The flow path, including the inside of the needle, is continuously flushed in normal operation, providing good elimination of carryover for most situations. Automated delay volume reduction (ADVR) will reduce the delay volume but will also reduce the flushing of the autosampler and should not be used with analytes where carryover might be a problem.

The outside of the needle can be washed using a wash vial in a specific location or the needle can be washed using the flush port. If a wash vial in a tray location specified by the user is chosen then this vial should have no septum and should contain a solvent suitable for washing the sample from the needle. The septum is not used to avoid wiping contamination off the needle on the downstream only to re-apply it on the upstroke. The needle can be dipped into the vial multiple times. This will be effective in removing a small degree of carryover but for more effective washing of the outside of the needle use the flushport.

The flush port is located above and behind the needle seat and a peristaltic pump delivers the wash solvent. It has a volume of 0.68 ml and the peristaltic pump delivers 6 ml/min, which means the flush port volume is completely

refilled with fresh solvent in 7 s. If the flush port is selected, the user can set how long the outside of the needle is to be washed with fresh solvent. This may be as low as two or three seconds in routine situations where carryover is less of a problem and 10 to 20 s for more complete washing. It is recommended that washing the outside of the needle in the flush port should be standard procedure to avoid contaminating the needle seat. If the needle seat becomes contaminated it will have to be back-flushed, by manually changing the flow connections, to clean it. This is one of the tasks that can be automated using the Flexible Cube module.

The flush port and its solvent delivery pump and tubing should be regularly flushed to ensure the lowest carryover. For example, before using the system each day, prime the flush pump for three minutes with appropriate solvent.

When other measures have failed to eliminate carryover it might be that analyte is sticking inside the injector valve. The injector valve can be set to make additional switching movements to clean out the flow path in the valve if problems occur here with carryover. If the problem compounds need a high percentage of organic phase for elution, it is recommended to switch the injection valve at the high percentage of organic phase after the last peak has eluted. It is also recommended to switch the injection valve again after the initial conditions for the mobile phase have stabilized. This ensures that the bypass groove in the rotor seal of the valve contains the gradient start conditions, which is especially important for flow rates below 0.5 ml/min.

For samples where the outside of the needle cannot be cleaned sufficiently with water or alcohol from the flush pump use wash vials with an appropriate solvent. With an injector program several wash vials can be used for cleaning.

The optimum carry-over performance of the Autosampler is achieved after a run-in period of new instruments or after the exchange of consumable parts (like needle, needle seat and valve parts). During injections in this period, surfaces of these parts adjust to each other. After this period, we recommend back-flushing the needle seat in order to get the sealing areas between needle and needle seat clean. Regular Preventive Maintenance service is recommended as the carry-over performance of the Autosampler depends on the integrity of these consumable parts. Using the G4227A Flexible Cube will additionally improve the carry-over performance and life time of these parts.

6 **Optimizing Performance**
How to Achieve Lowest Carry Over



7 Troubleshooting and Diagnostics

Overview of the Module's Indicators and Test Functions	80
Status Indicators	81
Power Supply Indicator	81
Module Status Indicator	82
User Interfaces	83
Agilent Lab Advisor Software	84

This chapter gives an overview about the troubleshooting and diagnostic features and the different user interfaces.



Overview of the Module's Indicators and Test Functions

Status Indicators

The module is provided with two status indicators which indicate the operational state (prerun, run, and error states) of the module. The status indicators provide a quick visual check of the operation of the module.

Error Messages

In the event of an electronic, mechanical or hydraulic failure, the module generates an error message in the user interface. For each message, a short description of the failure, a list of probable causes of the problem, and a list of suggested actions to fix the problem are provided (see chapter Error Information).

Test Functions

A series of test functions are available for troubleshooting and operational verification after exchanging internal components (see Tests and Calibrations).

Status Indicators

Two status indicators are located on the front of the module. The lower left indicates the power supply status, the upper right indicates the module status.



Figure 14 Location of Status Indicators

Power Supply Indicator

The power supply indicator is integrated into the main power switch. When the indicator is illuminated (*green*) the power is *ON*.

Module Status Indicator

The module status indicator indicates one of six possible module conditions:

- When the status indicator is *OFF* (and power switch light is on), the module is in a *prerun* condition, and is ready to begin an analysis.
- A *green* status indicator, indicates the module is performing an analysis (*run mode*).
- A *yellow* indicator indicates a *not-ready* condition. The module is in a not-ready state when it is waiting for a specific condition to be reached or completed (for example, immediately after changing a set point), or while a self-test procedure is running.
- An *error* condition is indicated when the status indicator is *red*. An error condition indicates the module has detected an internal problem which affects correct operation of the module. Usually, an error condition requires attention (e.g. leak, defective internal components). An error condition always interrupts the analysis.

If the error occurs during analysis, it is propagated within the LC system, i.e. a red LED may indicate a problem of a different module. Use the status display of your user interface for finding the root cause/module of the error.

- A *blinking* indicator indicates that the module is in resident mode (e.g. during update of main firmware).
- A *fast blinking* indicator indicates that the module is in a low-level error mode. In such a case try to re-boot the module or try a cold-start (see “[Special Settings](#)” on page 191). Then try a firmware update (see “[Replacing the Module Firmware](#)” on page 151). If this does not help, a main board replacement is required.

User Interfaces

- Depending on the user interface, the available tests and the screens/reports may vary.
- Preferred tool should be Agilent Lab Advisor Software, see “[Agilent Lab Advisor Software](#)” on page 84.
- The Agilent ChemStation B.04.02 and above do not include any maintenance/test functions.
- Screenshots used within these procedures are based on the Agilent Lab Advisor Software.

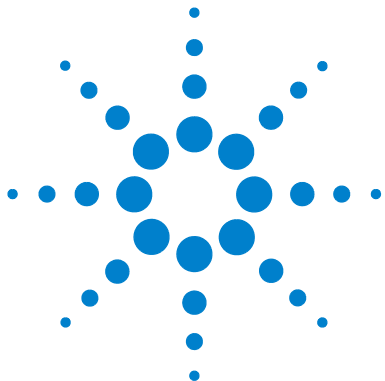
Agilent Lab Advisor Software

The Agilent Lab Advisor software is a standalone product that can be used with or without data system. Agilent Lab Advisor software helps to manage the lab for high quality chromatographic results and can monitor in real time a single Agilent LC or all the Agilent GCs and LCs configured on the lab intranet.

Agilent Lab Advisor software provides diagnostic capabilities for all Agilent 1200 Infinity Series modules. This includes diagnostic capabilities, calibration procedures and maintenance routines for all the maintenance routines.

The Agilent Lab Advisor software also allows users to monitor the status of their LC instruments. The Early Maintenance Feedback (EMF) feature helps to carry out preventive maintenance. In addition, users can generate a status report for each individual LC instrument. The tests and diagnostic features as provided by the Agilent Lab Advisor software may differ from the descriptions in this manual. For details refer to the Agilent Lab Advisor software help files.

The Instrument Utilities is a basic version of the Lab Advisor with limited functionality required for installation, use and maintenance. No advanced repair, troubleshooting and monitoring functionality is included.



8 Error Information

What are Error Messages	87
General Error Messages	88
Timeout	88
Shutdown	89
Remote Timeout	89
Lost CAN Partner	90
Leak	90
Leak Sensor Open	91
Leak Sensor Short	91
Compensation Sensor Open	92
Compensation Sensor Short	92
Fan Failed	93
Module Error Messages	94
Exhaust Fan Failed	94
Front Door Error	95
Side Door Error	95
Arm Movement Failed or Arm Movement Timeout	96
Valve to Bypass Failed	97
Valve to Mainpass Failed	98
Needle Lock Failed	99
Needle to Needle Seat Position	100
Needle Carrier Failed	101
Missing Vial or Missing Wash Vial	102
Initialization Failed	103
Metering Home Failed	104
Motor Temperature	105
Invalid Vial Position	106
Peristaltic Pump Error	107



8 Error Information

Agilent Lab Advisor Software

Vessel or Wash Vessel Error	108
Vessel Stuck to Needle	108
Rear Blind Seat Missing	109

This chapter describes the meaning of error messages, and provides information on probable causes and suggested actions how to recover from error conditions.

What are Error Messages

Error messages are displayed in the user interface when an electronic, mechanical, or hydraulic (flow path) failure occurs which requires attention before the analysis can be continued (for example, repair, or exchange of consumables is necessary). In the event of such a failure, the red status indicator at the front of the module is switched on, and an entry is written into the module logbook.

General Error Messages

General error messages are generic to all Agilent series HPLC modules and may show up on other modules as well.

Timeout

Error ID: 0062

The timeout threshold was exceeded.

Probable cause

- 1** The analysis was completed successfully, and the timeout function switched off the module as requested.
- 2** A not-ready condition was present during a sequence or multiple-injection run for a period longer than the timeout threshold.

Suggested actions

- Check the logbook for the occurrence and source of a not-ready condition. Restart the analysis where required.
- Check the logbook for the occurrence and source of a not-ready condition. Restart the analysis where required.

Shutdown

Error ID: 0063

An external instrument has generated a shutdown signal on the remote line.

The module continually monitors the remote input connectors for status signals. A LOW signal input on pin 4 of the remote connector generates the error message.

Probable cause

- 1 Leak detected in another module with a CAN connection to the system.
- 2 Leak detected in an external instrument with a remote connection to the system.
- 3 Shut-down in an external instrument with a remote connection to the system.

Suggested actions

- Fix the leak in the external instrument before restarting the module.
- Fix the leak in the external instrument before restarting the module.
- Check external instruments for a shut-down condition.

Remote Timeout

Error ID: 0070

A not-ready condition is still present on the remote input. When an analysis is started, the system expects all not-ready conditions (for example, a not-ready condition during detector balance) to switch to run conditions within one minute of starting the analysis. If a not-ready condition is still present on the remote line after one minute the error message is generated.

Probable cause

- 1 Not-ready condition in one of the instruments connected to the remote line.
- 2 Defective remote cable.
- 3 Defective components in the instrument showing the not-ready condition.

Suggested actions

- Ensure the instrument showing the not-ready condition is installed correctly, and is set up correctly for analysis.
- Exchange the remote cable.
- Check the instrument for defects (refer to the instrument's documentation).

Lost CAN Partner

Error ID: 0071

During an analysis, the internal synchronization or communication between one or more of the modules in the system has failed.

The system processors continually monitor the system configuration. If one or more of the modules is no longer recognized as being connected to the system, the error message is generated.

Probable cause

- 1 CAN cable disconnected.
- 2 Defective CAN cable.
- 3 Defective main board in another module.

Suggested actions

- Ensure all the CAN cables are connected correctly.
 - Ensure all CAN cables are installed correctly.
- Exchange the CAN cable.
- Switch off the system. Restart the system, and determine which module or modules are not recognized by the system.

Leak

Error ID: 0064

A leak was detected in the module.

The signals from the two temperature sensors (leak sensor and board-mounted temperature-compensation sensor) are used by the leak algorithm to determine whether a leak is present. When a leak occurs, the leak sensor is cooled by the solvent. This changes the resistance of the leak sensor which is sensed by the leak-sensor circuit on the main board.

Probable cause

- 1 Loose fittings.
- 2 Broken capillary.

Suggested actions

- Ensure all fittings are tight.
- Exchange defective capillaries.

Leak Sensor Open

Error ID: 0083

The leak sensor in the module has failed (open circuit).

The current through the leak sensor is dependent on temperature. A leak is detected when solvent cools the leak sensor, causing the leak-sensor current to change within defined limits. If the current falls outside the lower limit, the error message is generated.

Probable cause

- 1** Leak sensor not connected to the main board.
- 2** Defective leak sensor.
- 3** Leak sensor incorrectly routed, being pinched by a metal component.

Suggested actions

- Please contact your Agilent service representative.
- Please contact your Agilent service representative.
- Please contact your Agilent service representative.

Leak Sensor Short

Error ID: 0082

The leak sensor in the module has failed (short circuit).

The current through the leak sensor is dependent on temperature. A leak is detected when solvent cools the leak sensor, causing the leak sensor current to change within defined limits. If the current increases above the upper limit, the error message is generated.

Probable cause

- 1** Defective leak sensor.
- 2** Leak sensor incorrectly routed, being pinched by a metal component.

Suggested actions

- Please contact your Agilent service representative.
- Please contact your Agilent service representative.

Compensation Sensor Open

Error ID: 0081

The ambient-compensation sensor (NTC) on the main board in the module has failed (open circuit).

The resistance across the temperature compensation sensor (NTC) on the main board is dependent on ambient temperature. The change in resistance is used by the leak circuit to compensate for ambient temperature changes. If the resistance across the sensor increases above the upper limit, the error message is generated.

Probable cause

- 1 Defective main board.

Suggested actions

Please contact your Agilent service representative.

Compensation Sensor Short

Error ID: 0080

The ambient-compensation sensor (NTC) on the main board in the module has failed (short circuit).

The resistance across the temperature compensation sensor (NTC) on the main board is dependent on ambient temperature. The change in resistance is used by the leak circuit to compensate for ambient temperature changes. If the resistance across the sensor falls below the lower limit, the error message is generated.

Probable cause

- 1 Defective main board.

Suggested actions

Please contact your Agilent service representative.

Fan Failed

Error ID: 0068

The cooling fan in the module has failed.

The hall sensor on the fan shaft is used by the main board to monitor the fan speed. If the fan speed falls below a certain limit for a certain length of time, the error message is generated.

Depending on the module, assemblies (e.g. the lamp in the detector) are turned off to assure that the module does not overheat inside.

Probable cause

- 1 Fan cable disconnected.
- 2 Defective fan.
- 3 Defective main board.

Suggested actions

- Please contact your Agilent service representative.
- Please contact your Agilent service representative.
- Please contact your Agilent service representative.

Module Error Messages

These errors are autosampler specific.

Exhaust Fan Failed

Error ID: 4456, 4457

The exhaust fan in the module has failed.

The hall sensor on the fan shaft is used by the main board to monitor the fan speed. If the fan speed falls below a certain value the error message is generated and the module shuts down.

Probable cause

- 1 Fan cable disconnected.
- 2 Defective fan.
- 3 Defective main board.

Suggested actions

- Please contact your Agilent service representative.
- Please contact your Agilent service representative.
- Please contact your Agilent service representative.

Front Door Error

Error ID: 4350, 4352, 4458

The front door and/or the SLS board are damaged.

Probable cause

- 1 The sensor on the SLS board is defective.
- 2 The door is bent or the magnet is misplaced/broken.

Suggested actions

- Please contact your Agilent service representative.
- Please contact your Agilent service representative.

Side Door Error

Error ID: 4355, 4459

The side door and/or the main board are damaged.

Probable cause

- 1 The door is bent or the magnet is misplaced/broken.
- 2 The sensor on the main board is defective.

Suggested actions

- Please contact your Agilent service representative.
- Please contact your Agilent service representative.

Arm Movement Failed or Arm Movement Timeout

Error ID: 4002

The transport assembly was unable to complete a movement in one of the axes.

The processor defines a certain time window for the successful completion of a movement in any particular axis. The movement and position of the transport assembly is monitored by the encoders on the stepper motors. If the processor does not receive the correct position information from the encoders within the time window, the error message is generated.

Axes identification:

- Arm Movement 0 Failed: X-axis.
- Arm Movement 1 Failed: Z-axis.
- Arm Movement 2 Failed: Theta (needle carrier rotation).

Probable cause

- 1** Mechanical obstruction.
- 2** High friction in the transport assembly.
- 3** Defective motor assembly.
- 4** Defective sample transport assembly flex board.
- 5** Defective main board.

Suggested actions

- Ensure unobstructed movement of the transport assembly.
- Please contact your Agilent service representative.
- Please contact your Agilent service representative.
- Please contact your Agilent service representative.
- Please contact your Agilent service representative.

Valve to Bypass Failed

Error ID: 4014, 4701

The injection valve failed to switch to the bypass position.

The switching of the injection valve is monitored by two microswitches on the valve assembly. The switches detect the successful completion of the valve movement. If the valve fails to reach the bypass position, or if the microswitch does not close, the error message is generated.

Probable cause

- 1 Valve in an intermediate position between the bypass and mainpass positions.
- 2 Defective injection valve.
- 3 Defective main board.

Suggested actions

- Turn the Autosampler main power OFF and ON.
- Please contact your Agilent service representative.
- Please contact your Agilent service representative.

Valve to Mainpass Failed

Error ID: 4015

The injection valve failed to switch to the mainpass position.

The switching of the injection valve is monitored by two microswitches on the valve assembly. The switches detect the successful completion of the valve movement. If the valve fails to reach the mainpass position, or if the microswitch does not close, the error message is generated.

Probable cause

- 1 Valve in an intermediate position between the bypass and mainpass positions.
- 2 Defective injection valve.
- 3 Defective main board.

Suggested actions

- Turn the Autosampler main power OFF and ON.
- Please contact your Agilent service representative.
- Please contact your Agilent service representative.

Needle Lock Failed

Error ID: 4702, 4703

The lock assembly on the sampling unit failed to move successfully.

The upper and lower positions of the needle lock are monitored by position sensors on the sampling unit flex board. The sensors detect the successful completion of the needle lock movement. If the needle lock fails to reach the end point, or if the sensors fail to recognize the needle lock movement, the error message is generated.

Probable cause

- 1 Defective or dirty position sensor.
- 2 Sticking spindle assembly.
- 3 Defective needle drive motor
- 4 Defective main board.

Suggested actions

- Clean the position sensor.
- Please contact your Agilent service representative.
- Please contact your Agilent service representative.
- Please contact your Agilent service representative.

Needle to Needle Seat Position

Error ID: 4510, 4511, 4714

The needle failed to reach the end position in the needle seat.

The position of the needle is monitored by a position encoder on the needle carrier. If the needle fails to reach the end point, or if the encoder fails to recognize the needle carrier movement, the error message is generated.

Probable cause	Suggested actions
1 Bad sample transport/sampling unit alignment	Do an auto-alignment
2 Bent needle.	Check and exchange the needle assembly if necessary.
3 Missing needle.	Exchange the needle carrier assembly.
4 Blocked seat.	Clean or change the needle seat assembly if necessary.
5 Defective position sensor in the needle carrier assembly.	Please contact your Agilent service representative.
6 Defective main board.	Please contact your Agilent service representative.

Needle Carrier Failed

The needle carrier on the Sample Transport Assembly failed to move correctly.

Probable cause

- 1 Defective Z-motor.
- 2 Vial pusher blocked.
- 3 Bad needle carrier positioning in X or Theta.
- 4 Defective vial pusher sensor.
- 5 Defective main board.

Suggested actions

- Please contact your Agilent service representative.
- Please contact your Agilent service representative.
- Please contact your Agilent service representative.
- Please contact your Agilent service representative.
- Please contact your Agilent service representative.

Missing Vial or Missing Wash Vial

Error ID: 4019, 4034, 4035, 4541, 4542, 4706, 4707

No vial was found in the position defined in the method or sequence.

When the needle carrier moves to a vial and the needle goes into the vial, the position of the needle is monitored by an encoder behind the vial pusher. If no vial is present, the encoder detects an error and the message “missing vial” is generated.

Probable cause	Suggested actions
1 No vial in the position defined in the method or sequence.	Install the sample vial in the correct position, or edit the method or sequence accordingly.
2 Defective needle carrier assembly.	Please contact your Agilent service representative.
3 Defective transport assembly flex board.	Please contact your Agilent service representative.
4 Defective main board.	Please contact your Agilent service representative.

Initialization Failed

Error ID: 4020

The autosampler failed to complete initialization correctly.

The autosampler initialization procedure moves the needle arm and transport assembly to their home positions in a predefined routine. During initialization, the processor monitors the position sensors and motor encoders to check for correct movement. If one or more of the movements is not successful, or is not detected, the error message is generated.

Probable cause

Suggested actions

- | | |
|----------------------------------------------------------------|-----------------------------------------------------------------------------------------------------------------------------------------------------------------|
| 1 Side door not installed correctly. | <ul style="list-style-type: none"> • Check if the side door is installed correctly. • Check if the magnet is in place in the side door. |
| 2 Sample transport/sampling unit not aligned correctly. | Do an auto-alignment |
| 3 Mechanical obstruction. | Ensure unobstructed movement of the transport assembly. |
| 4 Defective sampling unit flex board. | Please contact your Agilent service representative. |
| 5 Defective transport assembly flex board. | Please contact your Agilent service representative. |
| 6 Defective sampling unit motor. | Please contact your Agilent service representative. |
| 7 Defective main board. | Please contact your Agilent service representative. |

Metering Home Failed

Error ID: 4054, 4704

The metering piston has failed to move back to the home position.

The home position sensor on the sampling unit flex board monitors the home position of the piston. If the piston fails to move to the home position, or if the sensor fails to recognize the piston position, the error message is generated.

Probable cause

- 1** Dirty or defective sensor.
- 2** Broken plunger.
- 3** Defective metering-drive motor.
- 4** Defective main board.

Suggested actions

- Please contact your Agilent service representative.
- Exchange the metering plunger and seal.
- Please contact your Agilent service representative.
- Please contact your Agilent service representative.

Motor Temperature

Error ID: 4027, 4040, 4261, 4451

One of the motors of the transport assembly has drawn excessive current, causing the motor to become too hot. The processor has switched off the motor to prevent damage to the motor.

Motor identification:

- Motor 0 temperature: X-axis motor.
- Motor 1 temperature: Z-axis motor.
- Motor 2 temperature: Theta motor.

The processor monitors the current drawn by each motor and the time the motor is drawing current. The current drawn by the motors is dependent on the load on each motor (friction, mass of components etc.). If the current drawn is too high, or the time the motor draws current is too long, the error message is generated.

Probable cause

Suggested actions

1 Mechanical obstruction.	Ensure unobstructed movement of the transport assembly.
2 High friction in the transport assembly.	Please contact your Agilent service representative.
3 Motor belt tension too high.	Switch off the module at the power switch. Wait at least 10 minutes before switching on again.
4 Defective motor.	Please contact your Agilent service representative.
5 Defective transport assembly flex board.	Please contact your Agilent service representative.

Invalid Vial Position

Error ID: 4042

The vial position defined in the method or sequence does not exist.

The reflection sensors on the transport assembly flex board are used to automatically check which sample trays are installed (coding on tray). If the vial position does not exist in the current sample tray configuration, the error message is generated.

Probable cause

- 1** Incorrect tray installed.
- 2** Incorrect tray definition.
- 3** Incorrect vial positions defined in the method or sequence.
- 4** Tray recognition defective (dirty sample tray or defective transport assembly flex board).

Suggested actions

- Install the correct trays, or edit the method or sequence accordingly.
- Install the correct trays, or edit the method or sequence accordingly.
- Install the correct trays, or edit the method or sequence accordingly.
- Ensure the coding surfaces of the sample tray are clean (located at the rear of the sample tray).
 - Please contact your Agilent service representative.

Peristaltic Pump Error

Error ID: 4514

The peristaltic pump motor in the autosampler has failed.

The current on the motor is used by the MTP board to monitor the speed of the peristaltic pump motor. If the current falls below a certain value, the error message is generated.

Probable cause

- 1 Defective motor.
- 2 Defective SUD board.
- 3 Defective main board.

Suggested actions

- Please contact your Agilent service representative.
- Please contact your Agilent service representative.
- Please contact your Agilent service representative.

Vessel or Wash Vessel Error

Error ID: 4540, 4544, 4545, 4705, 4712

The needle does not reach the target position in the vial or in the vessel of the well plate.

The sensor behind the vial pusher in the needle carrier assembly detects the successful completion of the needle movement to the vessel. If the needle fails to reach the end point, the sensor fails to recognize the needle movement and the error message is generated.

Probable cause	Suggested actions
1 Bad vessel definition in the plate configuration.	Check the vessel definition in the plate configuration.
2 Closing mat to rigid/thick.	Check that the closing mat is not too thick.
3 Bad X or Theta positioning.	Please contact your Agilent service representative.
4 Defective encoder on the needle carrier assembly.	Please contact your Agilent service representative.

Vessel Stuck to Needle

Error ID: 4453

The vessel sticks to the needle when the needle moves up.

Probable cause	Suggested actions
1 Closing mat to rigid/thick.	Check that the closing mat is not too thick.
2 Bad X or Theta positioning and the needle sticks into the wall between two holes.	Please contact your Agilent service representative.
3 Defective encoder on the needle carrier assembly.	Please contact your Agilent service representative.

Rear Blind Seat Missing

Error ID: 4724

Rear blind seat is missing although claimed to exist by main board information – occurs during initialization or if the blind seat location has to be used.

Probable cause

- 1 Blind seat is missing.

Suggested actions

Install blind seat.

8 Error Information

Module Error Messages



9 Test Functions

Introduction	112
System Pressure Test	113
System Pressure Test Evaluation	114
Sample Transport Self Alignment	115
Maintenance Positions	117
Maintenance Positions	117
Change Needle	118
Change Loop Capillary	118
Arm Position	119
Change Needle Carrier	119
Change Metering Device	120
Injector Steps	121
Injector Steps	121
Step Commands	122

This chapter describes the tests for the module.



Introduction

All tests are described based on the Agilent Lab Advisor Software B.01.04 or above. Other user interfaces may not provide any test or just a few.

Interface	Comment	Available Function
Agilent Instrument Utilities	Maintenance tests available	<ul style="list-style-type: none">• System Pressure test• Sample transport Self Alignment
Agilent Lab Advisor	All tests are available	<ul style="list-style-type: none">• System Pressure test• Sample transport Self Alignment
Agilent ChemStation	No tests available Adding of pressure to chromatographic signals possible	<ul style="list-style-type: none">• Pressure• Pressure ripple• Temperature mainboard

For details on the use of the interface refer to the interface documentation.

System Pressure Test

The test determines the leak rate of the system between pump outlet valves and a blank nut. The blank nut can be positioned at different locations in the system before the flow cell, to determine and verify the leak rate of individual modules and components. The test allows for setting the pressure at which the test is performed. The leak rate of high pressure parts are not always a linear function and therefore it is recommended to perform the test at a pressure that correspond to the normal operating pressure of the system.

When In case of a suspected leak. To verify successful execution of maintenance tasks.

Parts required	#	p/n	Description
	1	01080-83202	Blank nut

Preparations Solvents must be present in both channels.

- 1 Run the **System pressure test** with the Agilent Lab Advisor (for further information see Online-Help of user interface).

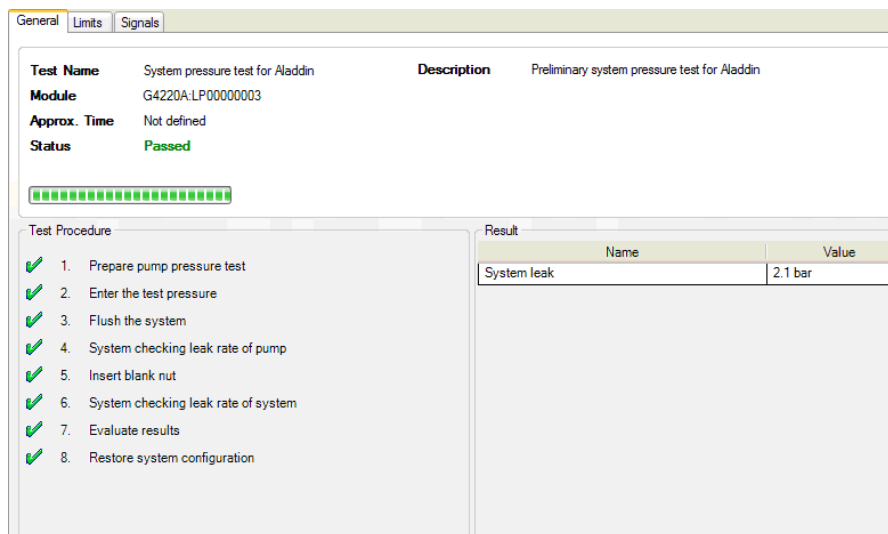


Figure 15 System Pressure Test – Result

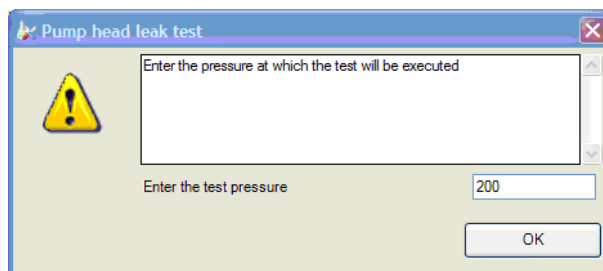


Figure 16 System Pressure Test – Dynamic pressure input

System Pressure Test Evaluation

System Pressure Test Failed

Probable cause	Suggested actions
1 Pump leakages	Perform the Pump Head Leak test.
2 Loose or leaky fittings	Tighten the fittings or replace capillaries.
3 Autosampler leakages	Perform the Autosampler Leak test.
4 Thermostatted Column Compartment valve leakages	Replace the TCC valve rotor seal.

NOTE

- Notice the difference between *error* in the test and a *failed* result! An *error* is caused by an abnormal termination during the operation of the test, whereas a *failed* result indicates that the test results were not within the specified limits.
- Often it is only a damaged blank nut (poorly shaped from over tightening) that causes the test to fail. Before investigating any other possible sources of failure make sure that the blank nut you are using is in a good condition and properly tightened.

Sample Transport Self Alignment

The sample transport self alignment uses predefined positions on the well plate tray to calibrate the positioning of the needle. The sample transport self alignment is required to compensate for larger deviations in positioning the needle carrier. The sample transport self alignment is required after disassembling the system or when you exchange the sample transport, the sampling unit, the tray or the MTP main board. This function is in the calibration screen of the Lab Advisor.

When	After disassembling the module or by larger deviations in the positioning of the needle.
Preparations	Well plate tray needs to be installed and empty.

- 1 Run the **Transport Alignment** with the Agilent Lab Advisor (for further information see Online-Help of user interface).

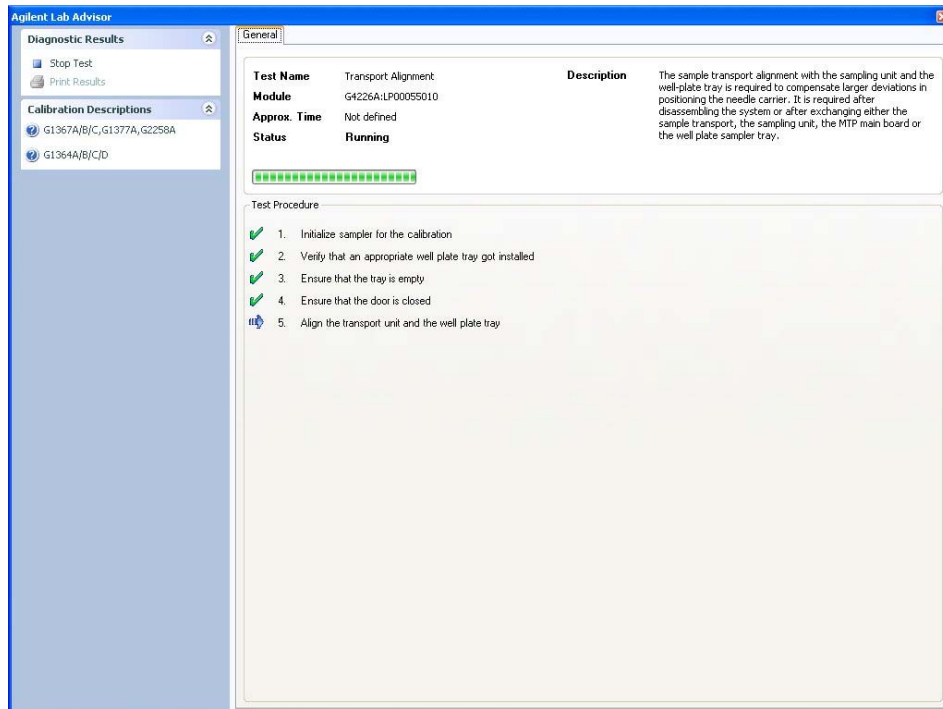


Figure 17 Sample Transport Self Alignment– Running

Maintenance Positions

Maintenance Positions

Some maintenance procedures require the needle arm, metering device, and needle carrier to be moved to specific positions to enable easy access to components. The maintenance functions move these assemblies into the appropriate maintenance position. In the Agilent Lab Advisor Software the maintenance positions can be selected from the **Tools** icon.

When When performing Maintenance on the module.

- 1 Run the **Maintenance Positions** with the Agilent Lab Advisor (for further information see Online-Help of user interface).

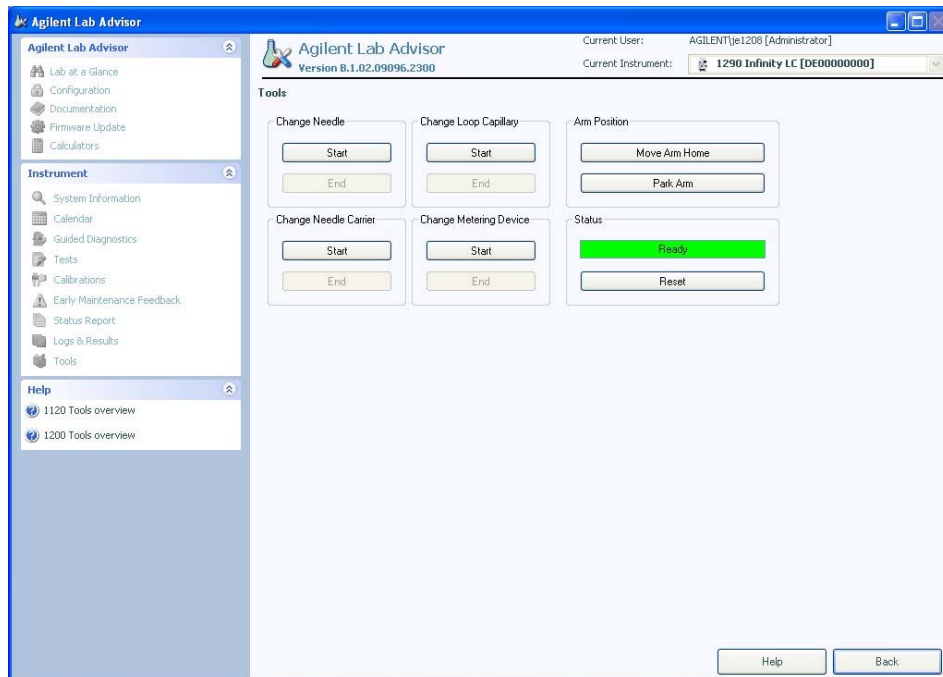


Figure 18 Maintenance Positions– Running

Change Needle

The position is positioning the needle carrier so that there is easy access for changing needle or needle seat. The position is to the far left, and the current to the motors are off, so that the arm can be turned while servicing the module.

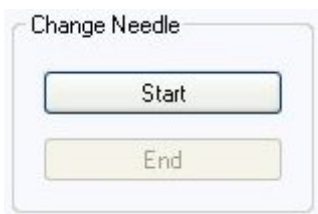


Figure 19 Maintenance Positions– Change Needle

Change Loop Capillary

The **Change Loop Capillary** command positions the arm in the middle of the tray at half height to enable easy exchange of the loop cartridge.

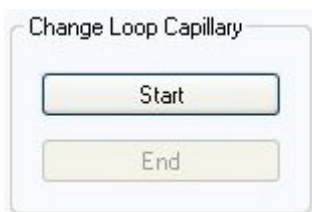


Figure 20 Maintenance Positions– Change Loop Capillary

Arm Position

The home position of the autosampler ensures a better access to the tray area and for exchanging trays. When transporting the module it is highly recommended to use the **Park Arm** command, in order to place the Arm in a position for safe transport.

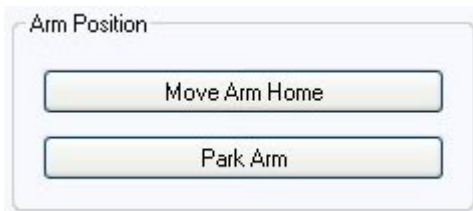


Figure 21 Maintenance Positions– Arm Position

Change Needle Carrier

The **Change Needle Carrier** function moves the needle to the front of the autosampler, enabling easy access to the needle carrier mechanism.

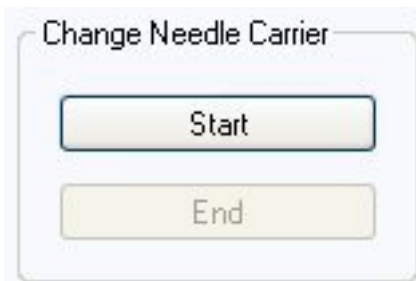


Figure 22 Maintenance Positions - Needle Carrier

- **Start** moves the needle to the front of the sample-tray area.
- **End** resets the autosampler after the needle carrier has been changed.

Change Metering Device

When removing the metering device is necessary (by exchanging the metering seal for instance), the metering drive needs to be moved to a position at the far back, in order to prevent seal and/or piston damage.



Figure 23 Maintenance Positions– Change Metering device

Injector Steps

Injector Steps

Each movement of the sampling sequence can be done under manual control. This is useful during troubleshooting, where close observation of each of the sampling steps is required to confirm a specific failure mode or verify successful completion of a repair. Each injector step command actually consists of a series of individual commands that move the autosampler components to predefined positions, enabling the specific step to be done.

When When troubleshooting the module.

- 1 Run the **Injector steps** with the Agilent Lab Advisor (for further information see Online-Help of user interface).

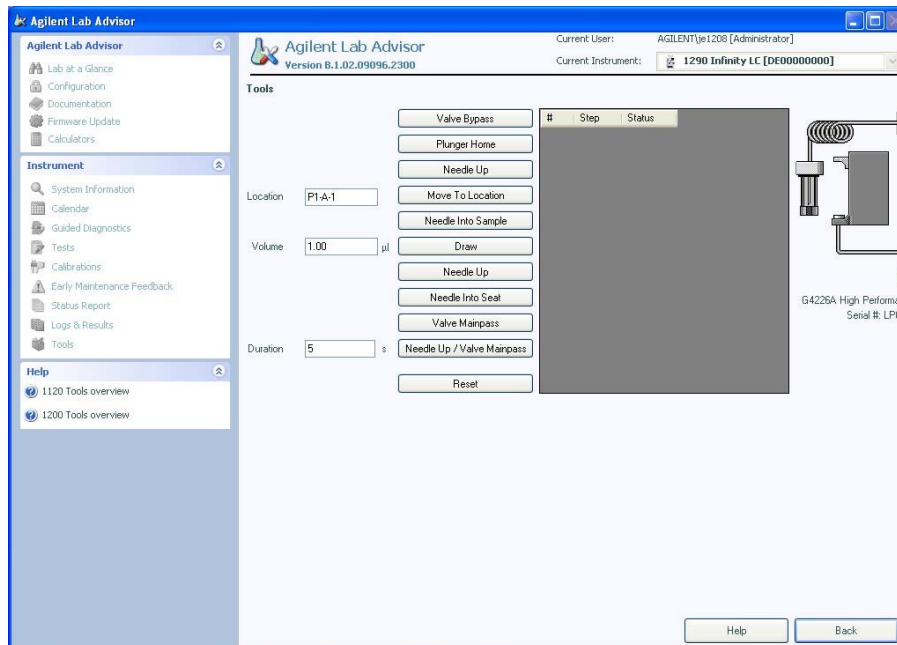


Figure 24 Injector Steps—Running

Step Commands

Table 6 Step Commands

Step	Action	Comments
Valve Bypass	Switches injection valve to the bypass position.	
Plunger Home	Moves the plunger to the home position.	
Needle Up	Lifts the needle arm to the upper position.	Command also switches the valve to bypass if it is not already in that position.
Move to Location	Move the needle arm to the vial location on the plate.	
Needle into Sample	Lowers the needle into the vial.	
Draw	Metering device draws the defined injection volume.	Command lifts the needle, and lowers the needle into the sample. Command can be done more than once, maximum draw volume of 20 μL (for 40 μL and 120 μL hardware changes are required see multi-draw) cannot be exceeded. Use Plunger Home to reset the metering device.
Needle Up	Lifts the needle out of the vial.	
Needle into Seat	Lowers the needle arm into the seat.	
Valve Mainpass	Switches the injection valve to the mainpass position.	
Needle Up/Mainpass	Moves needle arm to waste position and switches the injection valve to the mainpass position.	



10 Maintenance

Introduction to Maintenance	124
Warnings and Cautions	125
Overview of Maintenance	127
Cleaning the module	128
Removing the needle assembly	129
Installing the needle assembly	132
Exchanging the Needle Seat	135
Replacing the Rotor seal	138
Removing the metering seal	142
Installing the metering seal	145
Replacing Peristaltic Pump Cartridge	147
Installing the Interface Board	150
Replacing the Module Firmware	151

This chapter describes the maintenance of the Autosampler



Introduction to Maintenance

Figure 25 on page 124 shows the main user accessible assemblies of the autosampler. These parts can be accessed from the front (simple repairs) and don't require to remove the autosampler from the system stack.

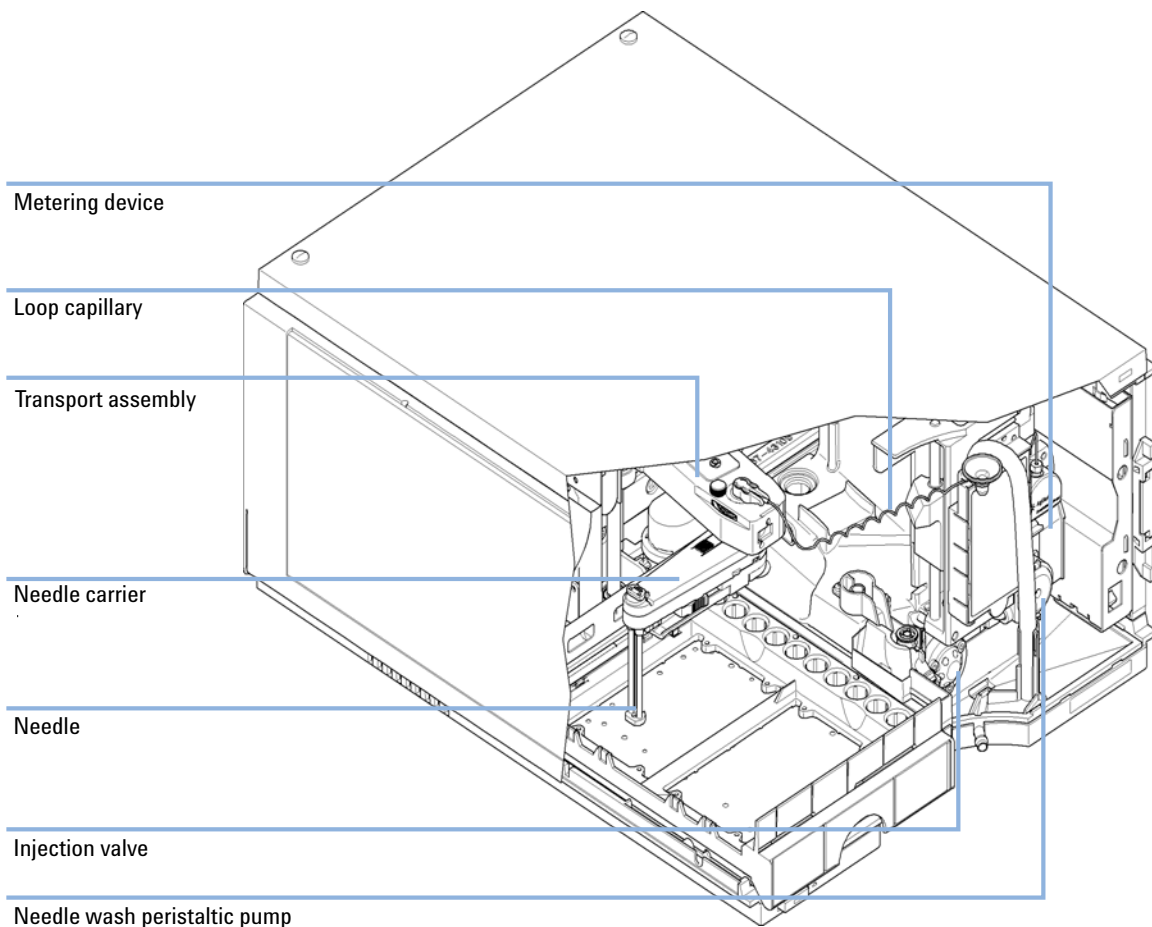


Figure 25 Main user accessible assemblies

Warnings and Cautions

WARNING

Electrical shock

Repair work at the module can lead to personal injuries, e.g. shock hazard, when the cover is opened.

- Do not remove the cover of the module.
 - Only certified persons are authorized to carry out repairs inside the module.
-

WARNING

Personal injury or damage to the product

Agilent is not responsible for any damages caused, in whole or in part, by improper use of the products, unauthorized alterations, adjustments or modifications to the products, failure to comply with procedures in Agilent product user guides, or use of the products in violation of applicable laws, rules or regulations.

- Use your Agilent products only in the manner described in the Agilent product user guides.
-

WARNING

Sharp metal edges

Sharp-edged parts of the equipment may cause injuries.

- To prevent personal injury, be careful when getting in contact with sharp metal areas.
-

WARNING

Toxic, flammable and hazardous solvents, samples and reagents

The handling of solvents, samples and reagents can hold health and safety risks.

- When working with these substances observe appropriate safety procedures (for example by wearing goggles, safety gloves and protective clothing) as described in the material handling and safety data sheet supplied by the vendor, and follow good laboratory practice.
 - The volume of substances should be reduced to the minimum required for the analysis.
 - Do not operate the instrument in an explosive atmosphere.
-

CAUTION

Safety standards for external equipment

- If you connect external equipment to the instrument, make sure that you only use accessory units tested and approved according to the safety standards appropriate for the type of external equipment.
-

CAUTION

Sample degradation and contamination of the instrument

Metal parts in the flow path can interact with the bio-molecules in the sample leading to sample degradation and contamination.

- For bio-inert applications, always use dedicated bio-inert parts, which can be identified by the bio-inert symbol or other markers described in this manual.
 - Do not mix bio-inert and non-inert modules or parts in a bio-inert system.
-

NOTE

The electronics of the autosampler will not allow operation of the autosampler when the top cover and the top foam are removed. A safety light switch on the main board will inhibit the operation of the fan immediately. Voltages for the other electronic components will be turned off after 30 seconds. The status lamp will light up red and an error will be logged into the logbook of the user interface. Always operate the autosampler with the top covers in place.

Overview of Maintenance

The following pages describe maintenance (simple repairs) of the autosampler that can be carried out without opening the main cover.

Table 7 Overview of Maintenance

Procedure	Typical Frequency	Notes
Change needle/needle seat	60.000 needle into seat	
Change metering seal	30.000 injections	
Peristaltic pump cartridge	3000 hours on-time	
Change rotor seal	30.000 injections	

Cleaning the module

To keep the module case clean, use a soft cloth slightly dampened with water, or a solution of water and mild detergent.

WARNING

Liquid dripping into the electronic compartment of your module can cause shock hazard and damage the module

- Do not use an excessively damp cloth during cleaning.
 - Drain all solvent lines before opening any connections in the flow path.
-

Removing the needle assembly

When When the limit in the needle into seat counter in the EMF is exceeded or when needle shows indications of damage, blockage or leaks.

Tools required	p/n	Description
	8710-0510	¼ inch wrench

Parts required	#	p/n	Description
	1	G5667-87200	Needle assembly (bio-inert)

Preparations In order to avoid leaks, close the shutoff valves in the pump or remove tubings from solvent bottles.

WARNING

Risk of injury by uncovered needle

An uncovered needle is a risk of harm to the operator.

- Be careful working at the needle carrier assembly.
- Use the silicon safety tube supplied with every new needle.

NOTE

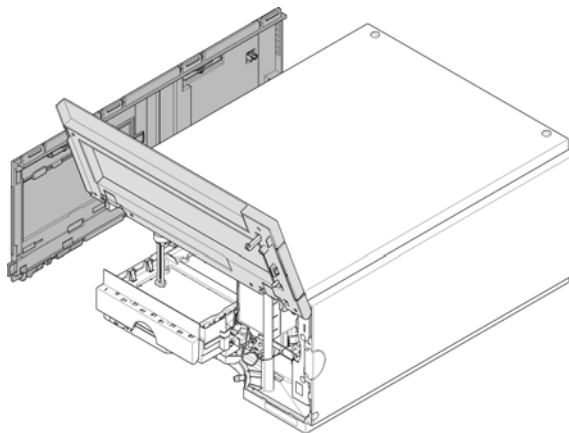
It is recommended to always exchange the needle assembly and the needle seat at the same time to prevent premature leakage.

10 Maintenance

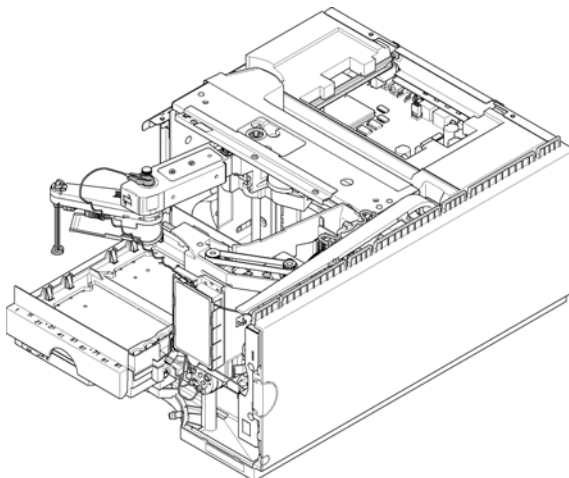
Removing the needle assembly

1 In the user interface start the maintenance mode and select **Change needle/seat** function. In the Agilent Lab Advisor software the **Change needle/seat** function can be found in the **Tools** section.

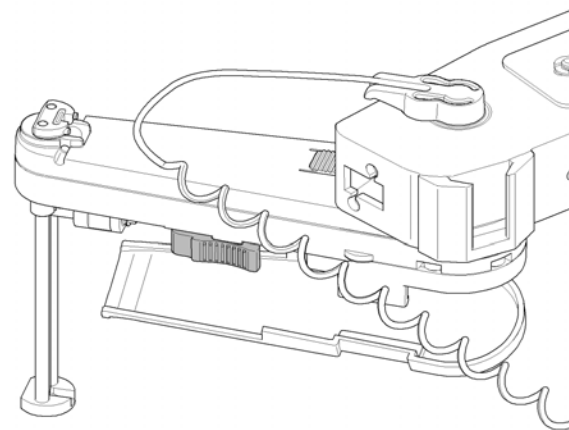
2 Open the front door and remove the side door.



3 Turn the Needle carrier 90 ° clockwise.

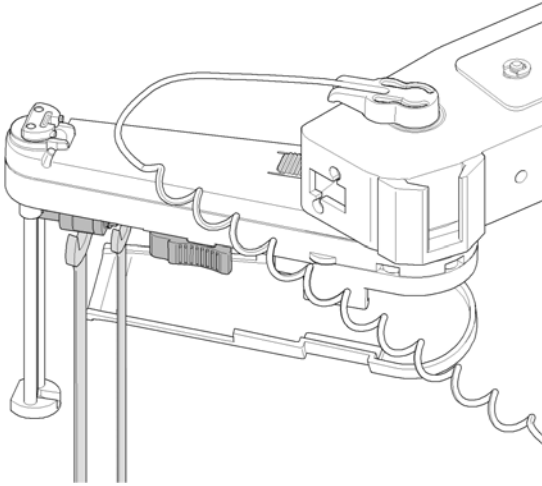


4 Flip the Leak guide open.

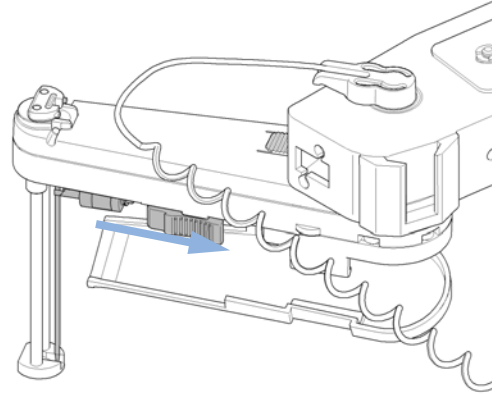


Removing the needle assembly

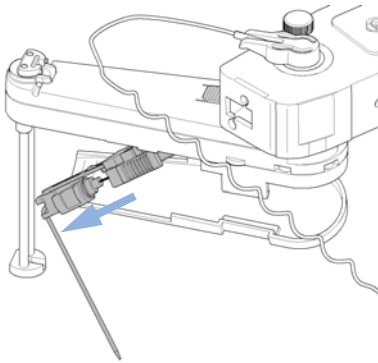
- 5** Attach a 5/16 inch wrench to hold the position at the needle assembly. Use a 1/4 inch wrench to loosen the fitting of the loop capillary.



- 6** Pinch the holder clamp, pull back and remove the loop capillary from the needle assembly.



- 7** Remove the needle assembly.



10 Maintenance

Installing the needle assembly

Installing the needle assembly

When When the limit in the needle into seat counter in the EMF is exceeded or when needle shows indications of damage, blockage or leaks.

Tools required	p/n	Description
	8710-0510	¼ inch wrench

Parts required	#	p/n	Description
	1	G5667-87200	Needle assembly (bio-inert)

Preparations In order to avoid leaks, close the shutoff valves in the pump or remove tubings from solvent bottles.

WARNING

Risk of injury by uncovered needle

An uncovered needle is a risk of harm to the operator.

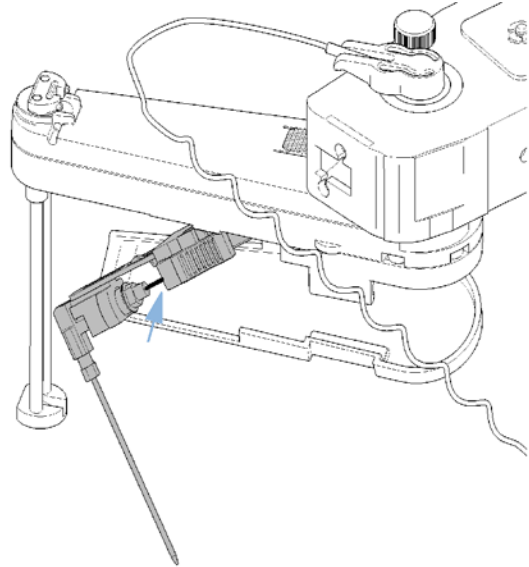
- Be careful working at the needle carrier assembly.
- Use the silicon safety tube supplied with every new needle.

NOTE

It is recommended to always exchange the needle assembly and the needle seat at the same time to prevent premature leakage.

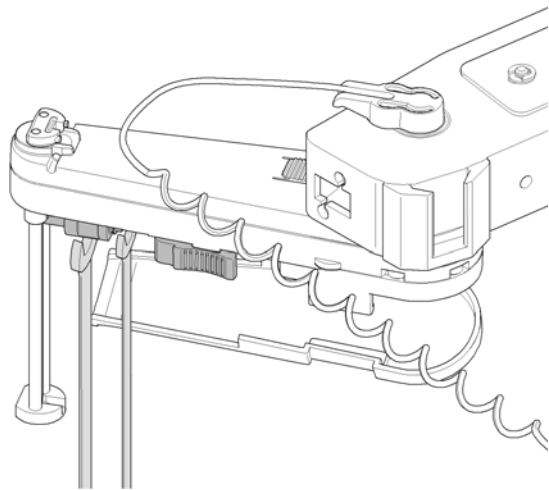
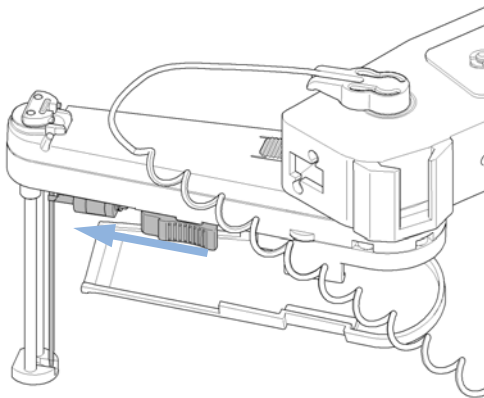
1 Push the silicon safety tube delivered with every needle over the needle.

2 Insert the loop capillary into the needle assembly and tighten the fitting hand tight.



3 Pinch the holder clamp and reinsert the needle assembly into the needle carrier.

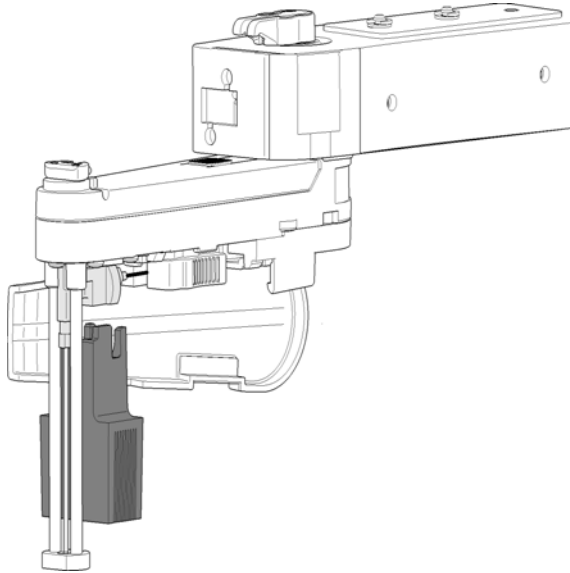
4 Attach a 5/16 inch wrench to hold the position at the needle assembly. Use a 1/4 inch wrench to tighten the fitting of the loop capillary.



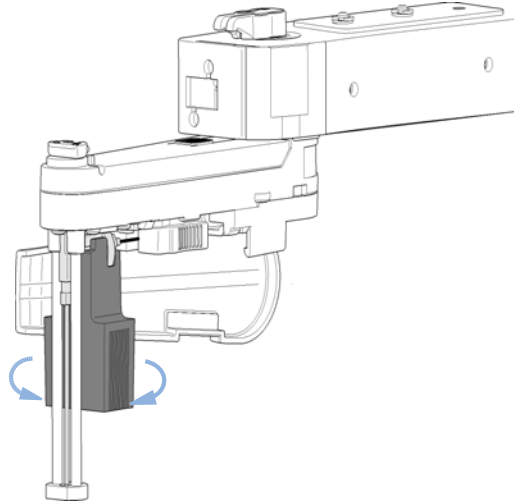
10 Maintenance

Installing the needle assembly

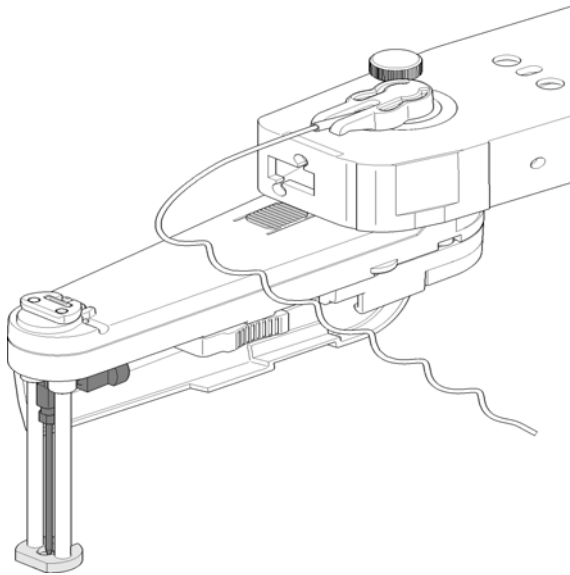
- 5** To align the needle, position the Positioning tool on the needle socket.



- 6** When Rotating the tool to position the needle it has to be moved beyond the end point to get the correct position.



- 7** Close the leak guide



Next Steps:

- 8** Check the alignment of the needle in the needle pusher of the needle carrier by viewing from several directions to see that it is aligned in the center of the needle pusher.

NOTE

The needle must be centered in the needle pusher as all alignment by the Autosampler is calculated from the needle pusher position.

- 9** Remove the silicon safety tube from the needle.
- 10** In the user interface exit the **Change needle/seat** function and exit the maintenance mode. In the Lab Advisor software the **Change needle/seat** function can be found in the **Tools** section.
- 11** Re-install the side door and close the front door.

Exchanging the Needle Seat

When When seat is visibly damaged, blocked or leaks.

Tools required	p/n	Description
	8710-0510	¼ inch wrench Flat head screwdriver

Parts required	#	p/n	Description
	1	G5667-87017	Seat assembly (bio-inert), 0.17 mm ID, 100 mm

Preparations In order to avoid leaks, close the shutoff valves in the pump or remove tubings from solvent bottles.

WARNING

Risk of injury by uncovered needle

An uncovered needle is a risk of harm to the operator.

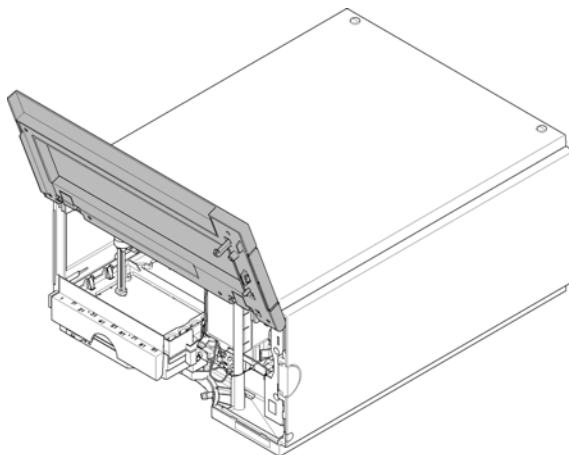
- Be careful working at the needle carrier assembly.
 - Use the silicon safety tube supplied with every new needle.
-

10 Maintenance

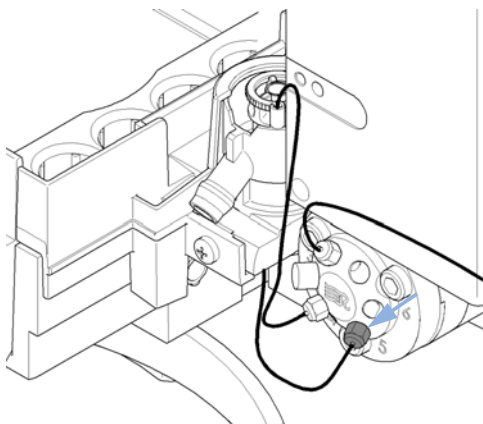
Exchanging the Needle Seat

1 In the user interface start the maintenance mode and select **Change needle/seat** function. In the Agilent Lab Advisor software the **Change needle/seat** function can be found in the **Tools** section.

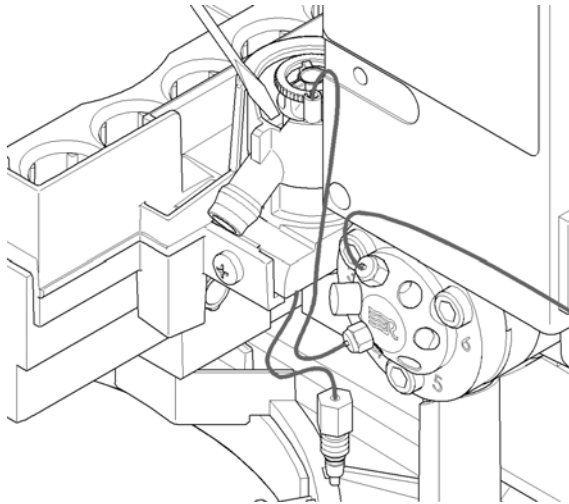
2 Open the front door.



3 Disconnect the seat capillary from the Injection valve.



4 With a Flat head screw driver carefully lift out the needle seat from the holder.



Next Steps:

- 5** Insert the new Needle seat. Press it firmly in position.
- 6** Connect capillary to valve.
- 7** In the user interface exit the **Change needle/seat** function and exit the maintenance mode. In the Lab Advisor software the **Change needle/seat** function can be found in the **Tools** section.

10 Maintenance

Replacing the Rotor seal

Replacing the Rotor seal

When	Poor injection-volume reproducibility Leaking injection valve	
Tools required	Description Wrench 1/4 inch Hexagonal key, 9/64 inch	
Parts required	p/n	Description
	5068-0099	Rotor seal, 3 grooves, max. 600 bar
Preparations	Remove front cover. Remove the leak tubing (if necessary).	

CAUTION

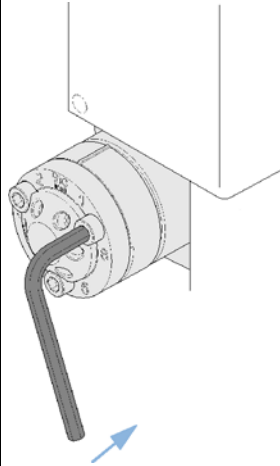
Damage of the stator face

The stator face is held in place by the stator head. When removing the stator head, the stator face might fall out of the valve.

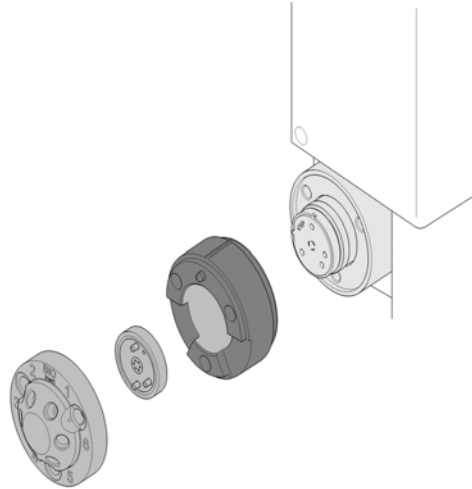
→ When removing the stator head, ensure the stator face does not fall out of the valve.

1 Remove all capillary fittings from the injection-valve ports.

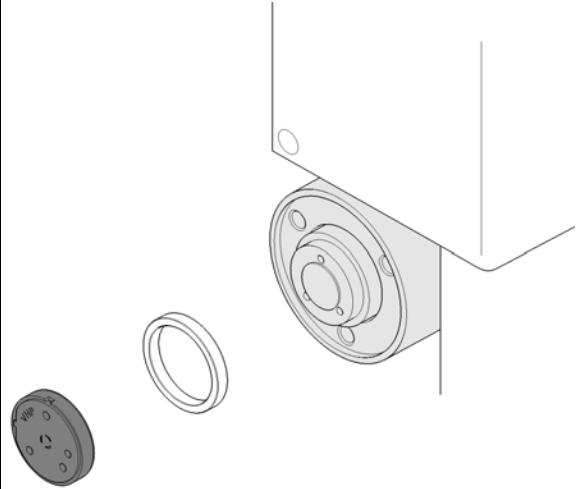
2 Loosen each fixing bolt two turns at a time. Remove the bolts from the head.



3 Remove the stator head, stator face and stator ring.



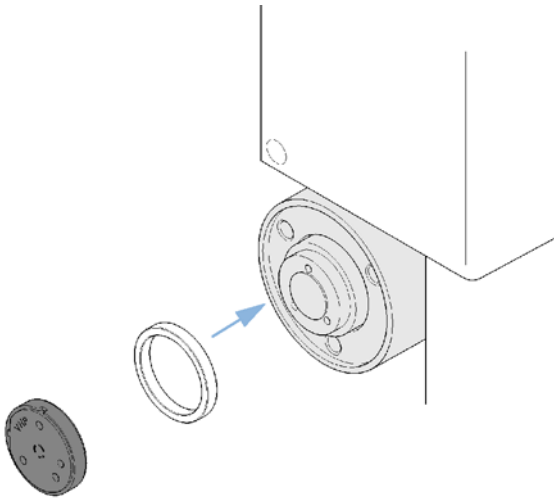
4 Remove the rotor seal and isolation seal.



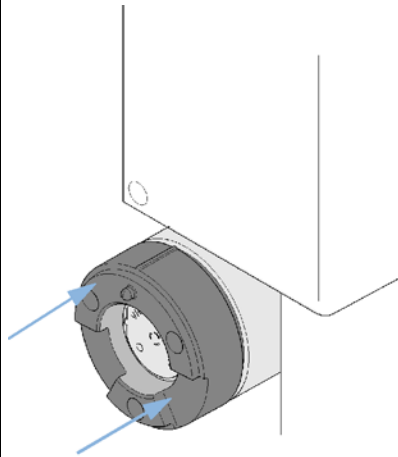
10 Maintenance

Replacing the Rotor seal

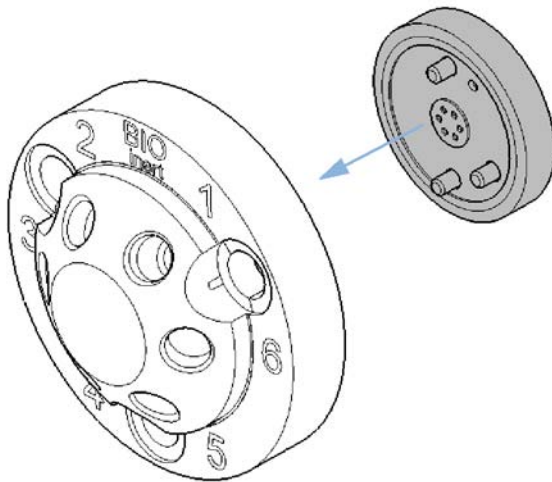
5 Install the new rotor seal and isolation seal. Ensure the metal spring inside the isolation seal faces towards the valve body.



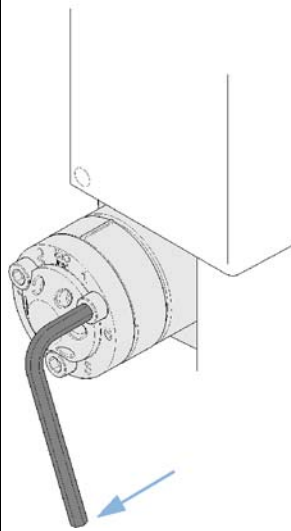
6 Install the stator ring with the short of the two pins facing towards you at the 12 O'Clock position. Ensure the ring sits flat on the valve body.



7 Place the stator face in place on the stator head.

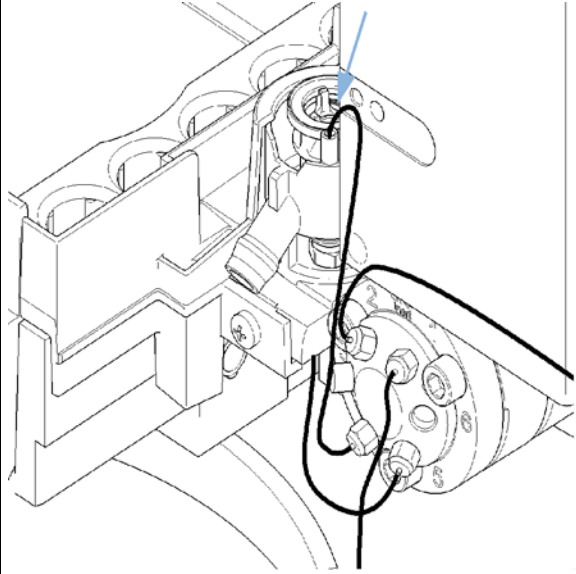


8 Install stator head and stator face. Tighten the bolts alternately two turns at a time until the stator head is secure.



9 Reconnect the pump capillaries to the valve ports.

10 Slide the waste tube into the waste holder in the leak tray.



11 Install the front cover.

10 Maintenance

Removing the metering seal

Removing the metering seal

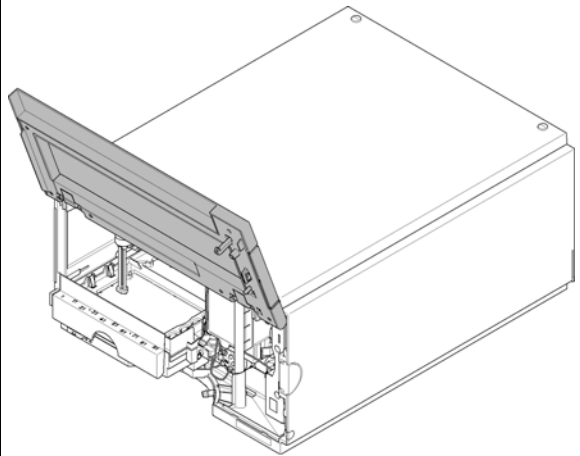
When When poor injection volume reproducibility or when metering device / analytical head is leaking.

Tools required	p/n	Description
	8710-0510	¼ inch wrench
	8710-2392	4 mm Hex key

Parts required	#	p/n	Description
	1	G5611-21503	Piston seal (bio-inert)

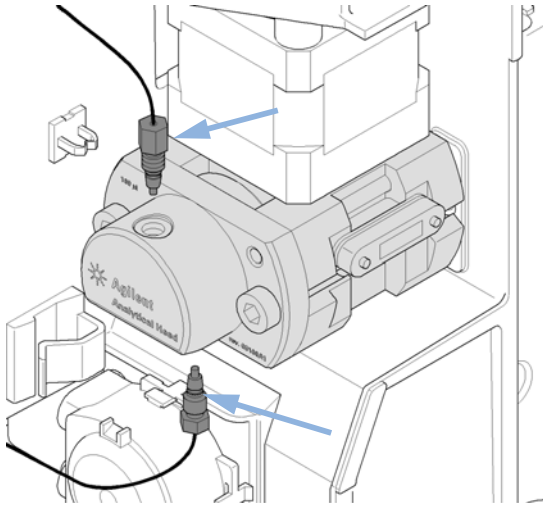
1 In the user interface start the maintenance mode and select **Change metering device** function. In the Agilent Lab Advisor software the **Change metering device** function can be found in the **Tools** section.

2 Open the front door.

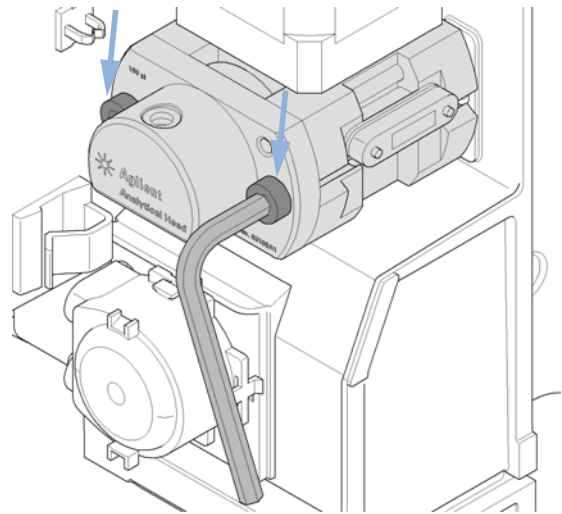


Removing the metering seal

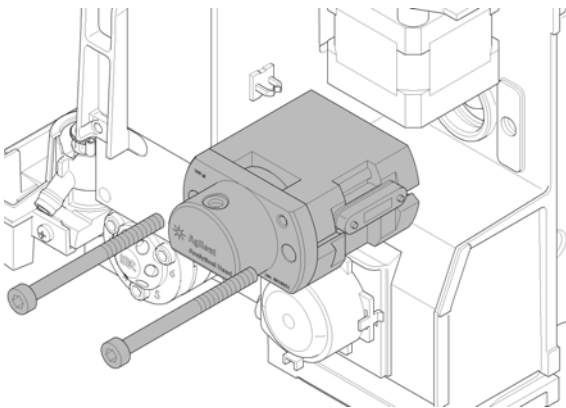
- 3** Remove the two attached capillaries with a ¼ inch wrench.



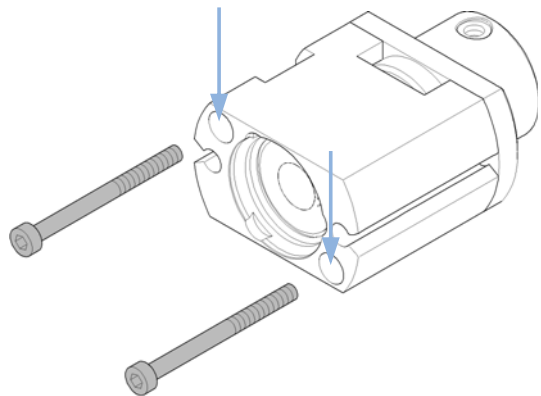
- 4** Unscrew alternately the two fixing screws with a 4 mm hex key.



- 5** Pull the analytical head / metering device away from the sampling unit.



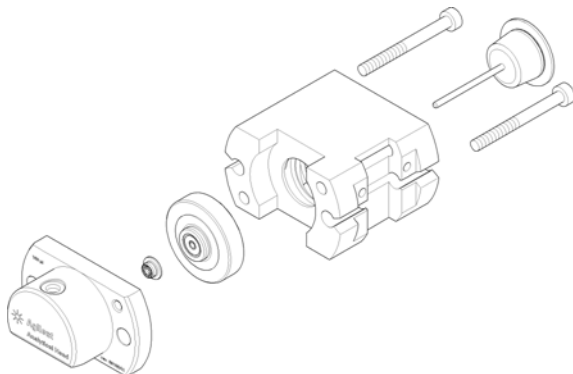
- 6** Remove the two fixing screws at the base of the metering device / analytical head.



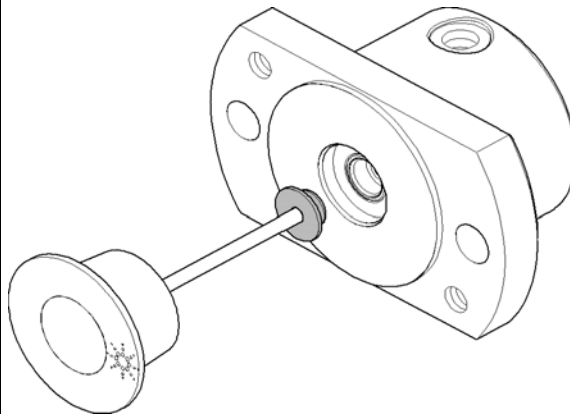
10 Maintenance

Removing the metering seal

7 Remove the head body.



8 Using the piston carefully remove the metering seal. Clean the chamber and ensure all particular matter is removed.



Installing the metering seal

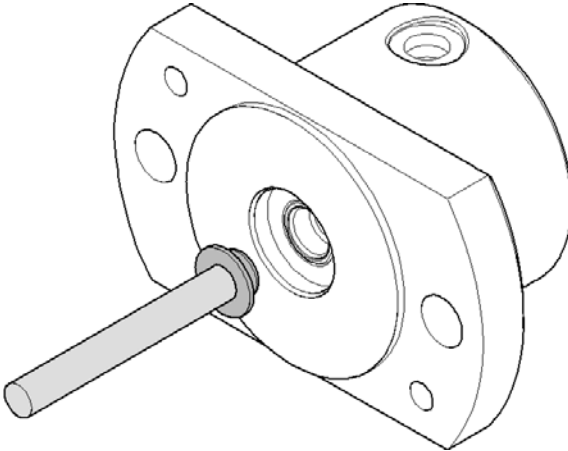
When When poor injection volume reproducibility or when metering device / analytical head is leaking.

Tools required	p/n	Description
	8710-0510	¼ inch wrench
	8710-2392	4 mm Hex key

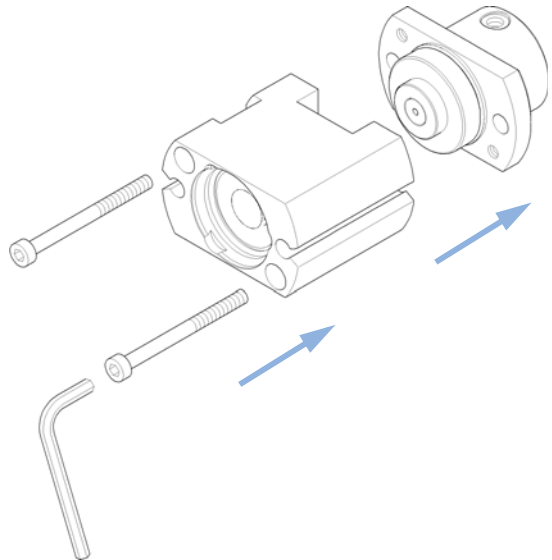
Parts required	#	p/n	Description
	1	G5611-21503	Piston seal (bio-inert)

Preparations Removing the metering seal, see [“Removing the metering seal”](#) on page 142.

1 Install the new metering seal. Press it firmly into position. Avoid any offset angle as it might deform the seal.



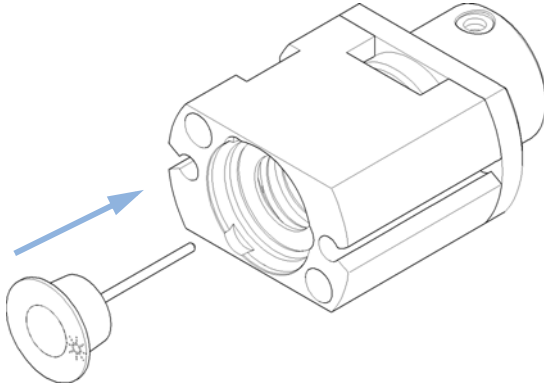
2 Reassemble the metering device. Make sure to tighten screws firmly and have the tag on the right side looking from the front.



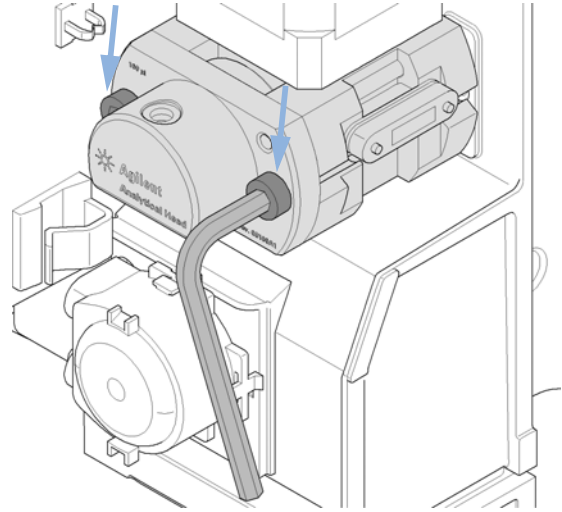
10 Maintenance

Installing the metering seal

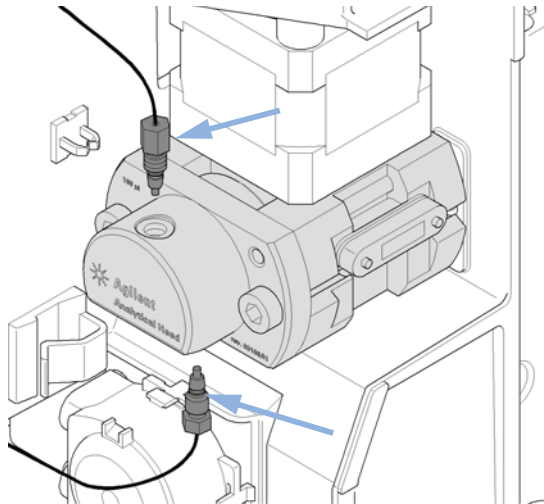
3 Press the piston into the seal.



4 Reinstall the metering device / analytical head to the sampling unit by tightening the two fixing screws alternately with a 4 mm hex key.



5 Connect the two capillaries to the metering device using a 1/4 inch wrench.



Next Steps:

6 Close the front door.

7 In the user interface exit the **Change Metering device** function and exit the maintenance mode. In the Lab Advisor software the **Change Metering device** function can be found in the **Tools** section.

Replacing Peristaltic Pump Cartridge

When Tubing blocked or broken

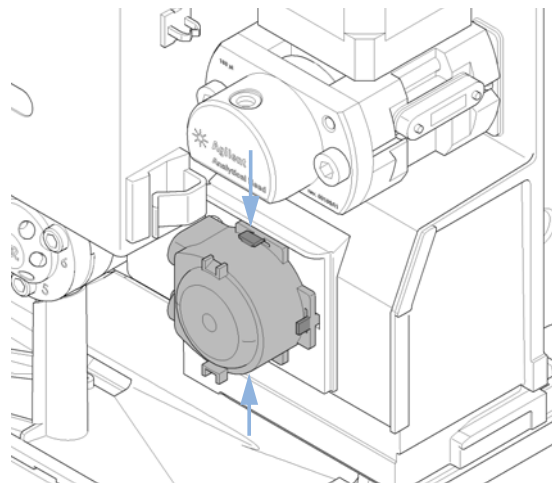
Parts required	#	p/n	Description
	1	5065-4445	Peristaltic pump cartridge

NOTE

The peristaltic pump cartridge is a replaceable unit. The tubing inside the pump is not replaceable.

1 Remove the corrugated leak tubing.

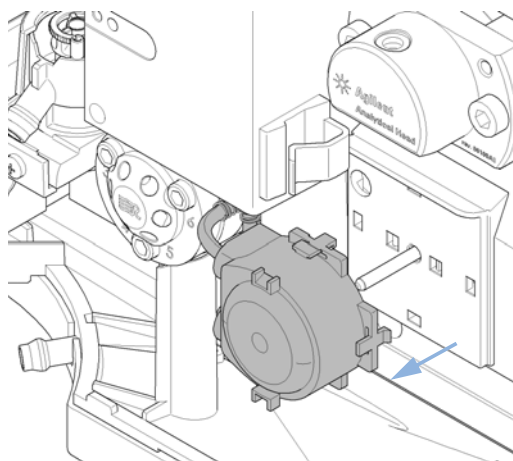
2 Press the two clips on the front of the peristaltic pump cartridge.



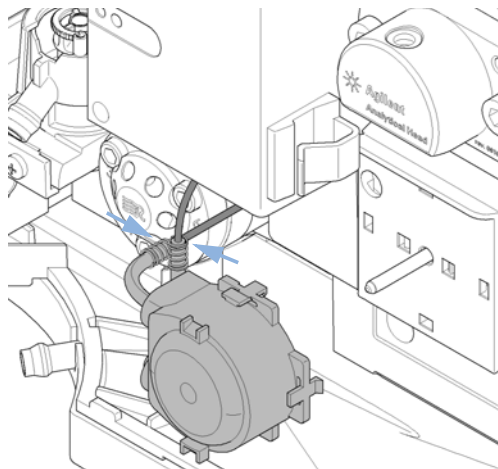
10 Maintenance

Replacing Peristaltic Pump Cartridge

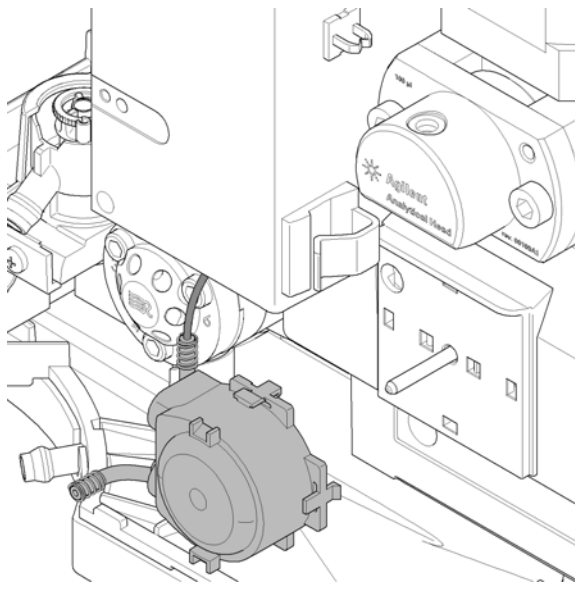
3 Pull the cartridge forward off the motor shaft.



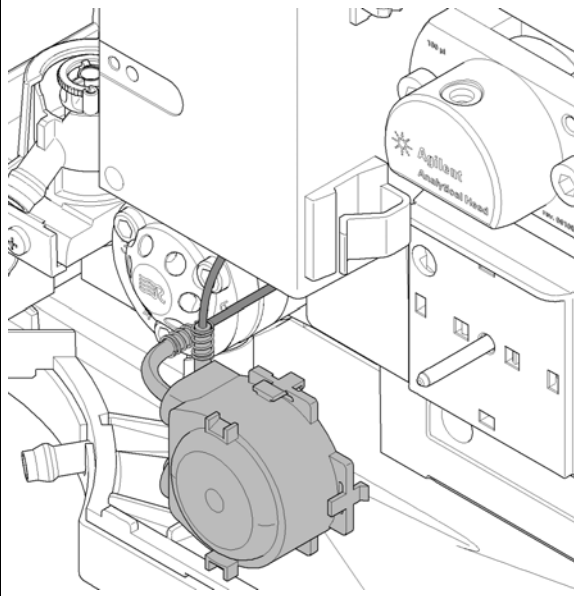
4 Disconnect the tubing leading to the wash port and the tubing coming from the solvent bottle.



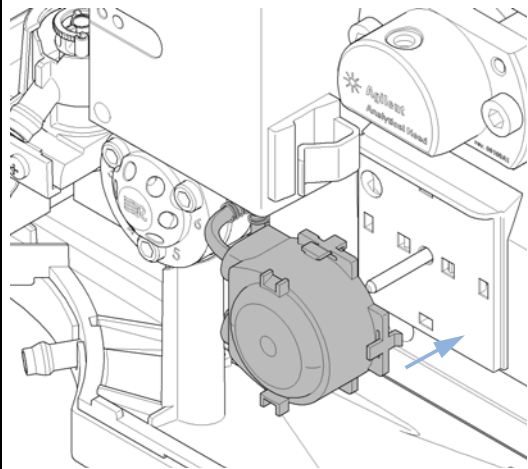
5 Connect the wash port tubing to the upper tubing of the new cartridge (use sand paper to get a good grip on the tubing).



6 Connect the tubing coming from the solvent bottle to the lower tubing of the new cartridge.



7 Push the cartridge onto the motor shaft until the clips click into place.



8 Reinstall the corrugated leak tubing.

Installing the Interface Board

When At installation or when defective.

Tools required **Description**
Flat head screwdriver

Parts required **# Description**
1 Interface board

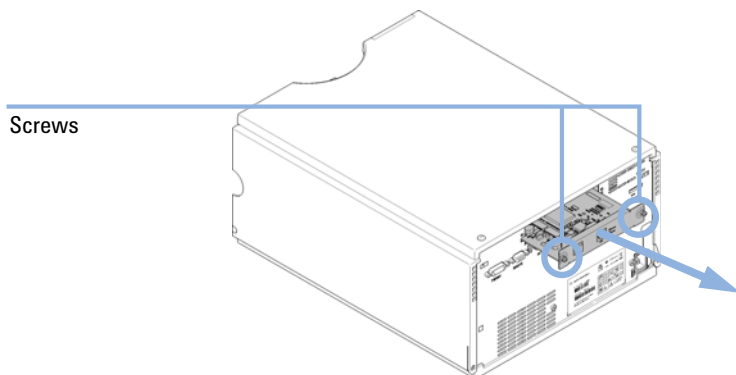
CAUTION

Electronic boards are sensitive to electrostatic discharge (ESD) and should be handled with care so as not to damage them. Touching electronic boards and components can cause electrostatic discharge.

ESD can damage electronic boards and components.

→ Be sure to hold the board by the edges and do not touch the electrical components. Always use an ESD protection (for example, an ESD wrist strap) when handling electronic boards and components.

- 1 Switch OFF the autosampler at the main power switch.
- 2 Disconnect cables from the interface board connectors.
- 3 Loosen the screws. Slide out the interface board from the autosampler.
- 4 Install the interface board. Secure the screws.
- 5 Reconnect the cables to the board connectors.



Replacing the Module Firmware

When	<p>The installation of newer firmware might be necessary</p> <ul style="list-style-type: none"> • if a newer version solves problems of older versions or • to keep all systems on the same (validated) revision. <p>The installation of older firmware might be necessary</p> <ul style="list-style-type: none"> • to keep all systems on the same (validated) revision or • if a new module with newer firmware is added to a system or • if third part control software requires a special version.
-------------	-----------------------------------------------------------------------------------------------------------------------------------------------------------------------------------------------------------------------------------------------------------------------------------------------------------------------------------------------------------------------------------------------------------------------------------------------------------------------------------------------------------------------------------------------------------------

Tools required	Description
	LAN/RS-232 Firmware Update Tool
OR	Agilent Diagnostic Software
OR	Instant Pilot G4208A (only if supported by module)

Parts required	# Description
	1 Firmware, tools and documentation from Agilent web site

Preparations Read update documentation provided with the Firmware Update Tool.

To upgrade/downgrade the module's firmware carry out the following steps:

- 1** Download the required module firmware, the latest LAN/RS-232 FW Update Tool and the documentation from the Agilent web.
 - http://www.chem.agilent.com/scripts/cag_firmware.asp.
- 2** For loading the firmware into the module follow the instructions in the documentation.

Module Specific Information

There is no specific information for this module.

10 Maintenance

Replacing the Module Firmware



11 Parts for Maintenance

Overview of Maintenance Parts	154
Vial Trays	155
Recommended Plates and Closing Mats	156
Recommended Vial Plates	157
Accessory Kit	158
Injection Valve Assembly	159
Cover Parts	160
Leak System Parts	161

This chapter provides information on parts material required for the module.



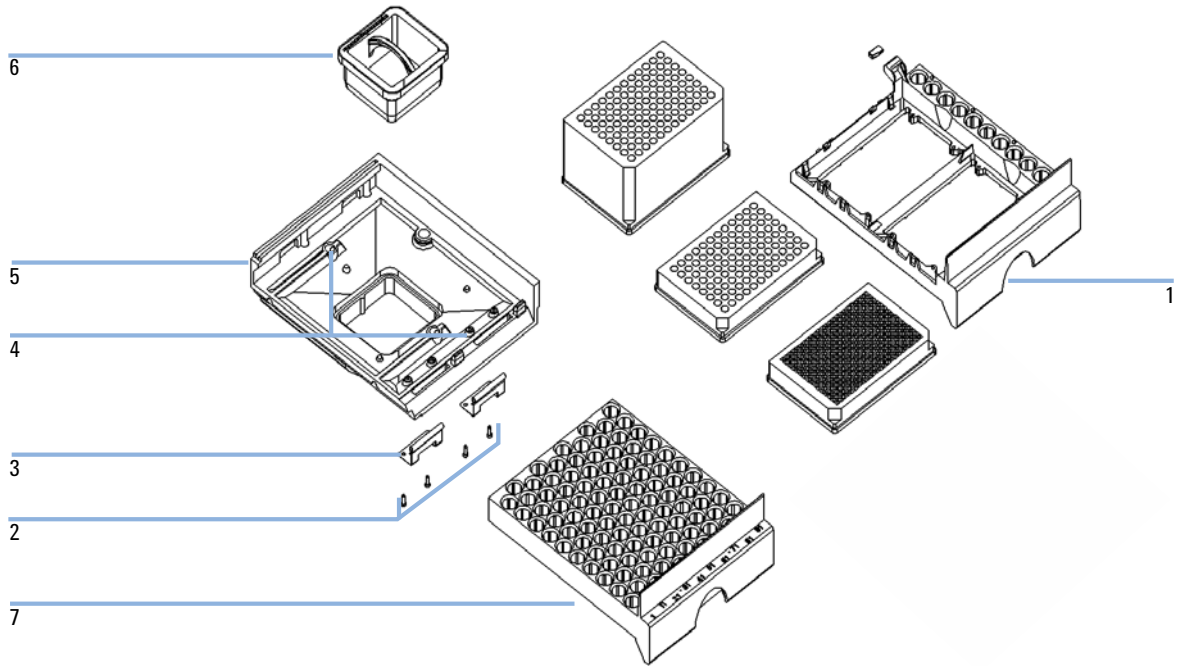
Overview of Maintenance Parts



For bio-inert modules use bio-inert parts only!

p/n	Description
5068-0099	Rotor seal, 3 grooves, max. 600 bar
G5611-21503	Piston seal (bio-inert)
G5667-87200	Needle assembly (bio-inert)
G5667-87017	Seat assembly (bio-inert), 0.17 mm ID, 100 mm
G5667-60310	Loop capillary (bio-inert)
G5667-60003	Analytical head (bio-inert)
5068-0060	Bio-inert stator head
0100-1851	Stator face, ceramic
G5667-40500	Tool for needle adjustment
5063-6586	Piston
5067-4131	2 position/6port injection valve (bio-inert)

Vial Trays



Item	p/n	Description
1	G2258-60011	Tray for 2 plates + 10 x 2 mL vials
2	0515-0866	Screws for springs
3	G1313-09101	Spring
4	0570-1574	Spring stud
5	G1329-60000	Tray base
6	G1329-43200	Adapter air channel
	G1367-47200	Plug channel
7	G4226-60021	Tray for 100 micro vials

11 Parts for Maintenance

Recommended Plates and Closing Mats

Recommended Plates and Closing Mats

Table 8 Recommended plates and closing mat

Description (Part Number)	Rows	Columns	Plate height	Volume (μL)	Package
384Agilent (p/n 5042-1388)	16	24	14.4	80	30
384Corning (No Agilent PN)	16	24	14.4	80	
384Nunc (No Agilent PN)	16	24	14.4	80	
96 Agilent (p/n 5042-1386)	8	12	14.3	500	10
96Agilent (p/n 5042-1385)					120
96Agilent conical (p/n 5042-8502)	8	12	17.3	150	25
96CappedAgilent (p/n 5065-4402)	8	12	47.1	300	1
96Corning (No Agilent PN)	8	12	14.3	300	
96CorningV (No Agilent PN)	8	12	14.3	300	
96DeepAgilent31mm (p/n 5042-6454)	8	12	31.5	1000	50
96DeepNunc31mm (No Agilent PN)	8	12	31.5	1000	
96DeepRitter41mm (No Agilent PN)	8	12	41.2	800	
96Greiner (No Agilent PN)	8	12	14.3	300	
96GreinerV (No Agilent PN)	8	12	14.3	250	
96Nunc (No Agilent PN)	8	12	14.3	400	
Closing mat for all 96 Agilent plates (p/n 5042-1389)	8	12			50

NOTE

Using vessels higher than 41 mm, will result in needle not being able to reach bottom of vessel.

Recommended Vial Plates

p/n	Description
G2255-68700	Vial plate for 54 x 2 mL vials (6/pk)
5022-6539	Vial plate for 15 x 6 mL vials (1/pk)
5022-6538	Vial plate for 27 Eppendorf tubes (1/pk)

11 Parts for Maintenance

Accessory Kit

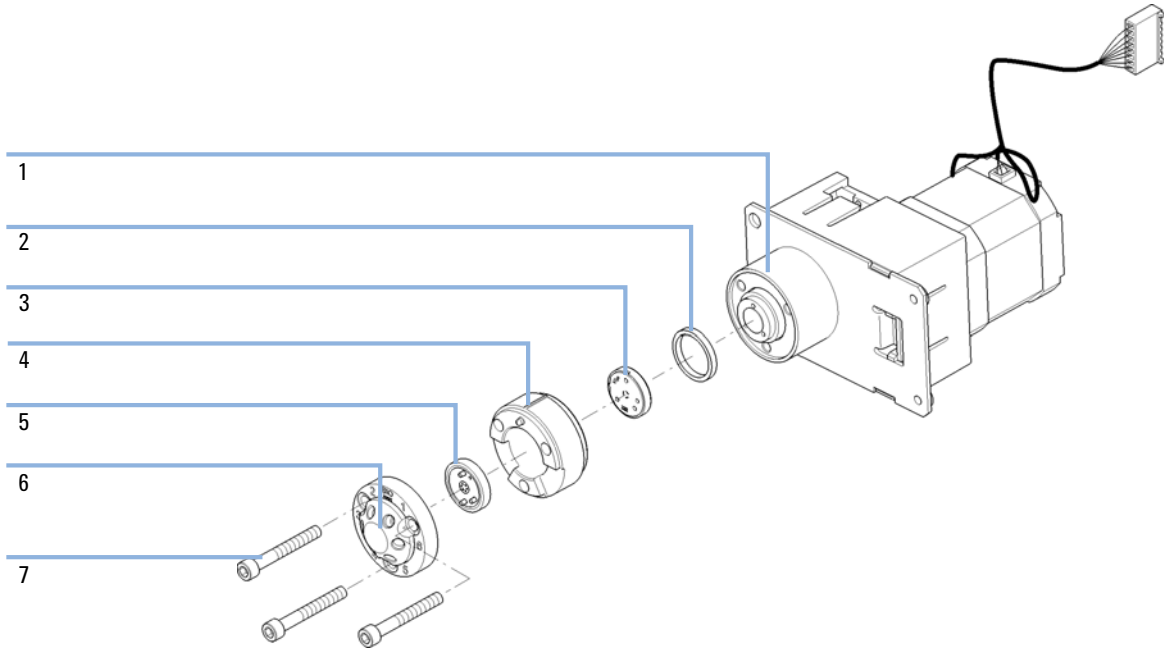
Accessory Kit

p/n	Description
G5667-68755	Accessory kit (bio-inert)
G5667-60500	PEEK/SST capillary (bio-inert) 0.17 mm ID, 400 mm long
5181-1519	CAN cable, Agilent module to module, 1 m
5063-6527	Tubing assembly, i.d. 6 mm, o.d. 9 mm, 1.2 m (to waste)

Injection Valve Assembly

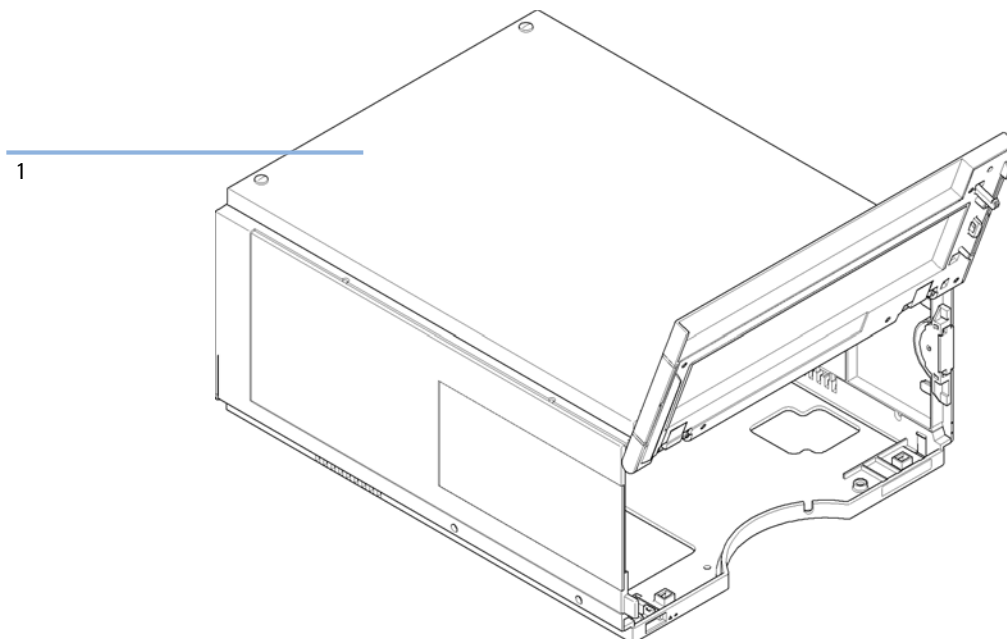


For bio-inert modules use bio-inert parts only!



Item	p/n	Description
1	5067-4131	2 position/6port injection valve (bio-inert)
2	1535-4045	Isolation seal
3	5068-0099	Rotor seal, 3 grooves, max. 600 bar
4		Rotor head
5	0100-1851	Stator face
6	5068-0060	Bio-inert stator head
7	1535-4857	Stator screws

Cover Parts



Item	p/n	Description
1	5067-4662	Cabinet kit (base, sides and top)
	5043-0207	Name plate 1260
	G4226-67001	Door repair kit, includes the front door

Leak System Parts

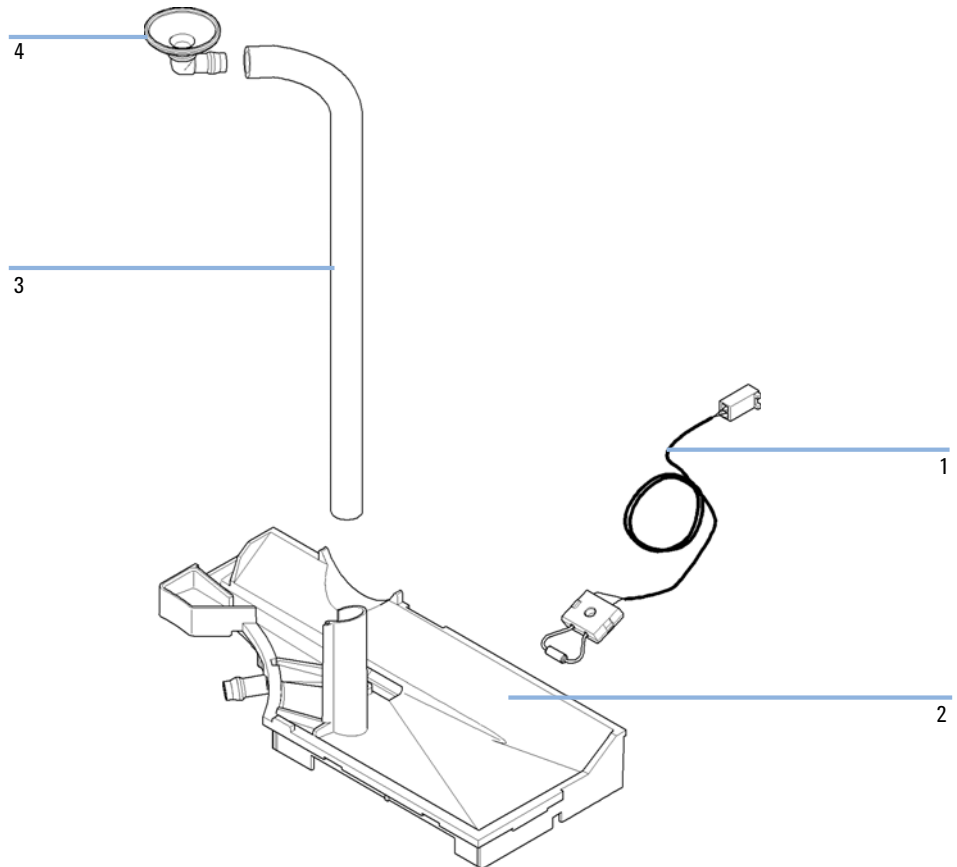


Figure 26 Leak system parts

Item	p/n	Description
1	5061-3356	Leak sensor
2	G4226-44511	Leak plane
3	0890-1711	Leak tubing 185 mm
4	5041-8388	Leak funnel

11 Parts for Maintenance

Leak System Parts



12 Identifying Cables

Cable Overview	164
Analog Cables	166
Remote Cables	168
BCD Cables	171
CAN/LAN Cables	173
External Contact Cable	174
Agilent Module to PC	175
Agilent 1200 Module to Printer	176

This chapter provides information on cables used with the 1260 series of HPLC modules.



Cable Overview

NOTE

Never use cables other than the ones supplied by Agilent Technologies to ensure proper functionality and compliance with safety or EMC regulations.

Analog cables

p/n	Description
35900-60750	Agilent module to 3394/6 integrators
35900-60750	Agilent 35900A A/D converter
01046-60105	Analog cable (BNC to general purpose, spade lugs)

Remote cables

p/n	Description
03394-60600	Agilent module to 3396A Series I integrators 3396 Series II / 3395A integrator, see details in section “Remote Cables” on page 168
03396-61010	Agilent module to 3396 Series III / 3395B integrators
5061-3378	Remote Cable
01046-60201	Agilent module to general purpose

BCD cables

p/n	Description
03396-60560	Agilent module to 3396 integrators
G1351-81600	Agilent module to general purpose

CAN cables

p/n	Description
5181-1516	CAN cable, Agilent module to module, 0.5 m
5181-1519	CAN cable, Agilent module to module, 1 m

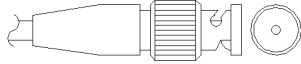
LAN cables

p/n	Description
5023-0203	Cross-over network cable, shielded, 3 m (for point to point connection)
5023-0202	Twisted pair network cable, shielded, 7 m (for point to point connection)

RS-232 cables

p/n	Description
G1530-60600	RS-232 cable, 2 m
RS232-61600	RS-232 cable, 2.5 m Instrument to PC, 9-to-9 pin (female). This cable has special pin-out, and is not compatible with connecting printers and plotters. It's also called "Null Modem Cable" with full handshaking where the wiring is made between pins 1-1, 2-3, 3-2, 4-6, 5-5, 6-4, 7-8, 8-7, 9-9.
5181-1561	RS-232 cable, 8 m

Analog Cables




One end of these cables provides a BNC connector to be connected to Agilent modules. The other end depends on the instrument to which connection is being made.

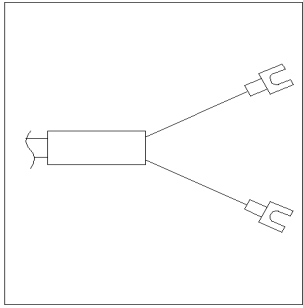
Agilent Module to 3394/6 Integrators

p/n 35900-60750	Pin 3394/6	Pin Agilent module	Signal Name
	1		Not connected
	2	Shield	Analog -
	3	Center	Analog +

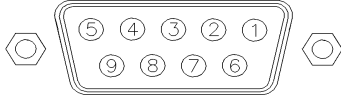
Agilent Module to BNC Connector

p/n 8120-1840	Pin BNC	Pin Agilent module	Signal Name
	Shield	Shield	Analog -
	Center	Center	Analog +

Agilent Module to General Purpose

p/n 01046-60105	Pin	Pin Agilent module	Signal Name
	1		Not connected
	2	Black	Analog -
	3	Red	Analog +

Remote Cables



One end of these cables provides a Agilent Technologies APG (Analytical Products Group) remote connector to be connected to Agilent modules. The other end depends on the instrument to be connected to.

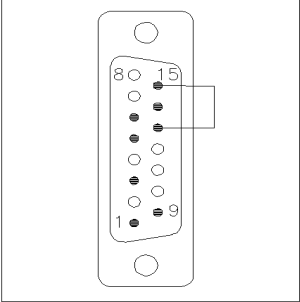
Agilent Module to 3396A Integrators

p/n 03394-60600	Pin 3396A	Pin Agilent module	Signal Name	Active (TTL)
	9	1 - White	Digital ground	
	NC	2 - Brown	Prepare run	Low
	3	3 - Gray	Start	Low
	NC	4 - Blue	Shut down	Low
	NC	5 - Pink	Not connected	
	NC	6 - Yellow	Power on	High
	5,14	7 - Red	Ready	High
	1	8 - Green	Stop	Low
	NC	9 - Black	Start request	Low
	13, 15		Not connected	

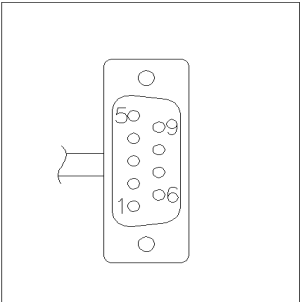
Agilent Module to 3396 Series II / 3395A Integrators

Use the cable Agilent module to 3396A Series I integrators (p/n 03394-60600) and cut pin #5 on the integrator side. Otherwise the integrator prints START; not ready.

Agilent Module to 3396 Series III / 3395B Integrators

p/n 03396-61010	Pin 33XX	Pin Agilent module	Signal Name	Active (TTL)
	9	1 - White	Digital ground	
	NC	2 - Brown	Prepare run	Low
	3	3 - Gray	Start	Low
	NC	4 - Blue	Shut down	Low
	NC	5 - Pink	Not connected	
	NC	6 - Yellow	Power on	High
	14	7 - Red	Ready	High
	4	8 - Green	Stop	Low
	NC	9 - Black	Start request	Low
	13, 15		Not connected	

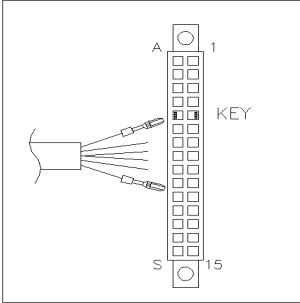
Agilent Module to Agilent 35900 A/D Converters

p/n 5061-3378	Pin 35900 A/D	Pin Agilent module	Signal Name	Active (TTL)
	1 - White	1 - White	Digital ground	
	2 - Brown	2 - Brown	Prepare run	Low
	3 - Gray	3 - Gray	Start	Low
	4 - Blue	4 - Blue	Shut down	Low
	5 - Pink	5 - Pink	Not connected	
	6 - Yellow	6 - Yellow	Power on	High
	7 - Red	7 - Red	Ready	High
	8 - Green	8 - Green	Stop	Low
	9 - Black	9 - Black	Start request	Low

12 Identifying Cables

Remote Cables

Agilent Module to General Purpose

p/n 01046-60201	Wire Color	Pin Agilent module	Signal Name	Active (TTL)
	White	1	Digital ground	
	Brown	2	Prepare run	Low
	Gray	3	Start	Low
	Blue	4	Shut down	Low
	Pink	5	Not connected	
	Yellow	6	Power on	High
	Red	7	Ready	High
	Green	8	Stop	Low
	Black	9	Start request	Low

BCD Cables



One end of these cables provides a 15-pin BCD connector to be connected to the Agilent modules. The other end depends on the instrument to be connected to

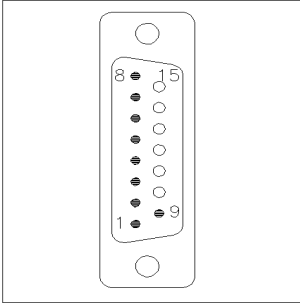
Agilent Module to General Purpose

p/n G1351-81600	Wire Color	Pin Agilent module	Signal Name	BCD Digit
	Green	1	BCD 5	20
	Violet	2	BCD 7	80
	Blue	3	BCD 6	40
	Yellow	4	BCD 4	10
	Black	5	BCD 0	1
	Orange	6	BCD 3	8
	Red	7	BCD 2	4
	Brown	8	BCD 1	2
	Gray	9	Digital ground	Gray
	Gray/pink	10	BCD 11	800
	Red/blue	11	BCD 10	400
	White/green	12	BCD 9	200
	Brown/green	13	BCD 8	100
	not connected	14		
	not connected	15	+ 5 V	Low

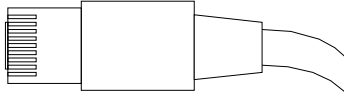
12 Identifying Cables

BCD Cables

Agilent Module to 3396 Integrators

p/n 03396-60560	Pin 3396	Pin Agilent module	Signal Name	BCD Digit
	1	1	BCD 5	20
	2	2	BCD 7	80
	3	3	BCD 6	40
	4	4	BCD 4	10
	5	5	BCD0	1
	6	6	BCD 3	8
	7	7	BCD 2	4
	8	8	BCD 1	2
	9	9	Digital ground	
	NC	15	+ 5 V	Low

CAN/LAN Cables



Both ends of this cable provide a modular plug to be connected to Agilent modules CAN or LAN connectors.

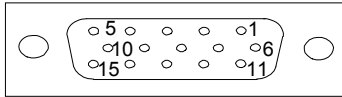
CAN Cables

p/n	Description
5181-1516	CAN cable, Agilent module to module, 0.5 m
5181-1519	CAN cable, Agilent module to module, 1 m

LAN Cables

p/n	Description
5023-0203	Cross-over network cable, shielded, 3 m (for point to point connection)
5023-0202	Twisted pair network cable, shielded, 7 m (for point to point connection)

External Contact Cable



One end of this cable provides a 15-pin plug to be connected to Agilent modules interface board. The other end is for general purpose.

Agilent Module Interface Board to general purposes

p/n G1103-61611	Color	Pin Agilent module	Signal Name
	White	1	EXT 1
	Brown	2	EXT 1
	Green	3	EXT 2
	Yellow	4	EXT 2
	Grey	5	EXT 3
	Pink	6	EXT 3
	Blue	7	EXT 4
	Red	8	EXT 4
	Black	9	Not connected
	Violet	10	Not connected
	Grey/pink	11	Not connected
	Red/blue	12	Not connected
	White/green	13	Not connected
	Brown/green	14	Not connected
	White/yellow	15	Not connected

Agilent Module to PC

p/n	Description
G1530-60600	RS-232 cable, 2 m
RS232-61600	RS-232 cable, 2.5 m Instrument to PC, 9-to-9 pin (female). This cable has special pin-out, and is not compatible with connecting printers and plotters. It's also called "Null Modem Cable" with full handshaking where the wiring is made between pins 1-1, 2-3, 3-2, 4-6, 5-5, 6-4, 7-8, 8-7, 9-9.
5181-1561	RS-232 cable, 8 m

12 Identifying Cables

Agilent 1200 Module to Printer

Agilent 1200 Module to Printer

p/n	Description
5181-1529	Cable Printer Serial & Parallel, is a SUB-D 9 pin female vs. Centronics connector on the other end (NOT FOR FW UPDATE). For use with G1323 Control Module.



13 Hardware Information

Firmware Description	178
Boot-up and Initialization Process	181
Interfaces	182
Overview Interfaces	184
Setting the 8-bit Configuration Switch	188
Communication Settings for RS-232C	189
Special Settings	191
Electrical Connections	192
Rear view of the module	193
Information on Instrument Serial Number	193

This chapter describes the autosampler in more detail on hardware and electronics.



Firmware Description

The firmware of the instrument consists of two independent sections:

- a non-instrument specific section, called *resident system*
- an instrument specific section, called *main system*

Resident System

This resident section of the firmware is identical for all Agilent 1100/1200/1220/1260/1290 series modules. Its properties are:

- the complete communication capabilities (CAN, LAN and RS-232C)
- memory management
- ability to update the firmware of the 'main system'

Main System

Its properties are:

- the complete communication capabilities (CAN, LAN and RS-232C)
- memory management
- ability to update the firmware of the 'resident system'

In addition the main system comprises the instrument functions that are divided into common functions like

- run synchronization through APG remote,
- error handling,
- diagnostic functions,
- or module specific functions like
 - internal events such as lamp control, filter movements,
 - raw data collection and conversion to absorbance.

Firmware Updates

Firmware updates can be done using your user interface:

- PC and Firmware Update Tool with local files on the hard disk

- Instant Pilot (G4208A) with files from a USB Flash Disk
- Agilent Lab Advisor software B.01.03 and above

The file naming conventions are:

PPPP_RVVV_XXX.dlb, where

PPPP is the product number, for example, 1315AB for the G1315A/B DAD,

R the firmware revision, for example, A for G1315B or B for the G1315C DAD,

VVV is the revision number, for example 102 is revision 1.02,

XXX is the build number of the firmware.

For instructions on firmware updates refer to section *Replacing Firmware* in chapter "*Maintenance*" or use the documentation provided with the *Firmware Update Tools*.

NOTE

Update of main system can be done in the resident system only. Update of the resident system can be done in the main system only.

Main and resident firmware must be from the same set.

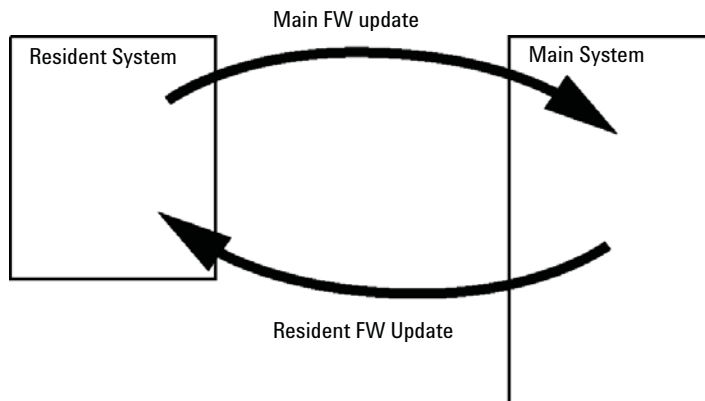


Figure 27 Firmware Update Mechanism

13 Hardware Information

Firmware Description

NOTE

Some modules are limited in downgrading due to their main board version or their initial firmware revision. For example, a G1315C DAD SL cannot be downgraded below firmware revision B.01.02 or to a A.xx.xx.

Some modules can be re-branded (e.g. G1314C to G1314B) to allow operation in specific control software environments. In this case the feature set of the target type are use and the feature set of the original are lost. After re-branding (e.g. from G1314B to G1314C), the original feature set is available again.

All these specific informations are described in the documentation provided with the firmware update tools.

The firmware update tools, firmware and documentation are available from the Agilent web.

- <http://www.chem.agilent.com/EN-US/SUPPORT/DOWNLOADS/FIRMWARE/Pages/LC.aspx>

Boot-up and Initialization Process

CAUTION

Obstruction of transport unit

Any obstruction of the transport unit during the initialization process will result in a wrong transmission ratio and thus wrong needle positions.

→ Make sure no vials or other material gets into the X-slide.

1 Firmware Boot Process.

a Start Boot Loader.

b Boot main firmware.

OR

Boot resident firmware (if set in VRAM, by DIP switch or if no/wrong main FW is found).

2 Initialize Transport Unit.

a Switch injection valve to bypass position.

b Find initial positions for X,Z and theta motors.

c Check belt tension of theta motor.

d Determine transmission ratio for X and theta axes.

- Turn needle carrier fully counter-clockwise (= theta min).
- Move X-slide into left end-stop (= X min).
- Move X-slide into right end-stop (= X max).
- Rotate needle carrier fully clockwise (= theta max, happens at the same time as step iii.).

3 Read RFID tag of Sampling Unit.

4 Read RFID tag of sample tray (if tray is different from last time).

5 Move needle into needle seat to determine the seat depth.

6 Move needle into seat (use depth value from step 5).

7 Lower the needle lock.

8 Switch the injection valve to mainpass.

Interfaces

The Agilent 1200 Infinity Series modules provide the following interfaces:

Table 9 Agilent 1200 Infinity Series Interfaces

Module	CAN	LAN/BCD (optional)	LAN (on-board)	RS-232	Analog	APG Remote	Special
Pumps							
G1310B Iso Pump G1311B Quat Pump G1311C Quat Pump VL G1312B Bin Pump G1312C Bin Pump VL 1376A Cap Pump G2226A Nano Pump G5611A Bio-inert Quat Pump	2	Yes	No	Yes	1	Yes	
G4220A/B Bin Pump	2	No	Yes	Yes	No	Yes	
G1361A Prep Pump	2	Yes	No	Yes	No	Yes	CAN-DC- OUT for CAN slaves
Samplers							
G1329B ALS G2260A Prep ALS	2	Yes	No	Yes	No	Yes	THERMOSTAT for G1330B
G1364B FC-PS G1364C FC-AS G1364D FC- μ S G1367E HiP ALS G1377A HiP micro ALS G2258A DL ALS G5664A Bio-inert FC-AS G5667A Bio-inert Autosampler	2	Yes	No	Yes	No	Yes	THERMOSTAT for G1330B CAN-DC- OUT for CAN slaves
G4226A ALS	2	Yes	No	Yes	No	Yes	
Detectors							
G1314B VWD VL G1314C VWD VL+	2	Yes	No	Yes	1	Yes	

Table 9 Agilent 1200 Infinity Series Interfaces

Module	CAN	LAN/BCD (optional)	LAN (on-board)	RS-232	Analog	APG Remote	Special
G1314E/F VWD	2	No	Yes	Yes	1	Yes	
G4212A/B DAD	2	No	Yes	Yes	1	Yes	
G1315C DAD VL+ G1365C MWD G1315D DAD VL G1365D MWD VL	2	No	Yes	Yes	2	Yes	
G1321B FLD G1362A RID	2	Yes	No	Yes	1	Yes	
G4280A ELSD	No	No	No	Yes	Yes	Yes	EXT Contact AUTOZERO
Others							
G1170A Valve Drive	2	No	No	No	No	No	Requires a HOST module with on-board LAN (e.g. G4212A or G4220A with minimum firmware B.06.40 or C.06.40) or with additional G1369C LAN Card
G1316A/C TCC	2	No	No	Yes	No	Yes	
G1322A DEG	No	No	No	No	No	Yes	AUX
G1379B DEG	No	No	No	Yes	No	Yes	
G4225A DEG	No	No	No	Yes	No	Yes	
G4227A Flex Cube	2	No	No	No	No	No	
G4240A CHIP CUBE	2	Yes	No	Yes	No	Yes	CAN-DC- OUT for CAN slaves THERMOSTAT for G1330A/B (NOT USED)

NOTE

The detector (DAD/MWD/FLD/VWD/RID) is the preferred access point for control via LAN. The inter-module communication is done via CAN.

- CAN connectors as interface to other modules
- LAN connector as interface to the control software
- RS-232C as interface to a computer
- REMOTE connector as interface to other Agilent products
- Analog output connector(s) for signal output

Overview Interfaces

CAN

The CAN is inter-module communication interface. It is a 2-wire serial bus system supporting high speed data communication and real-time requirement.

LAN

The modules have either an interface slot for an LAN card (e.g. Agilent G1369B/C LAN Interface) or they have an on-board LAN interface (e.g. detectors G1315C/D DAD and G1365C/D MWD). This interface allows the control of the module/system via a PC with the appropriate control software.

NOTE

If an Agilent detector (DAD/MWD/FLD/VWD/RID) is in the system, the LAN should be connected to the DAD/MWD/FLD/VWD/RID (due to higher data load). If no Agilent detector is part of the system, the LAN interface should be installed in the pump or autosampler.

RS-232C (Serial)

The RS-232C connector is used to control the module from a computer through RS-232C connection, using the appropriate software. This connector can be configured with the configuration switch module at the rear of the module. Refer to *Communication Settings for RS-232C*.

NOTE

There is no configuration possible on main boards with on-board LAN. These are pre-configured for

- 19200 baud,
- 8 data bit with no parity and
- one start bit and one stop bit are always used (not selectable).

The RS-232C is designed as DCE (data communication equipment) with a 9-pin male SUB-D type connector. The pins are defined as:

Table 10 RS-232C Connection Table

Pin	Direction	Function
1	In	DCD
2	In	RxD
3	Out	TxD
4	Out	DTR
5		Ground
6	In	DSR
7	Out	RTS
8	In	CTS
9	In	RI

13 Hardware Information

Interfaces

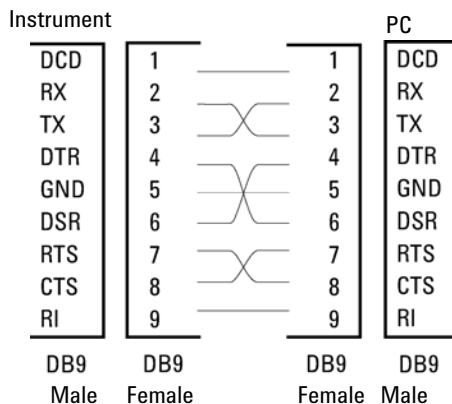


Figure 28 RS-232 Cable

Analog Signal Output

The analog signal output can be distributed to a recording device. For details refer to the description of the module's main board.

APG Remote

The APG Remote connector may be used in combination with other analytical instruments from Agilent Technologies if you want to use features as common shut down, prepare, and so on.

Remote control allows easy connection between single instruments or systems to ensure coordinated analysis with simple coupling requirements.

The subminiature D connector is used. The module provides one remote connector which is inputs/outputs (wired- or technique).

To provide maximum safety within a distributed analysis system, one line is dedicated to **SHUT DOWN** the system's critical parts in case any module detects a serious problem. To detect whether all participating modules are switched on or properly powered, one line is defined to summarize the **POWER ON** state of all connected modules. Control of analysis is maintained by signal readiness **READY** for next analysis, followed by **START** of run and optional **STOP** of run triggered on the respective lines. In addition **PREPARE** and **START REQUEST** may be issued. The signal levels are defined as:

- standard TTL levels (0 V is logic true, + 5.0 V is false),
- fan-out is 10 ,

- input load is 2.2 kOhm against + 5.0 V, and
- output are open collector type, inputs/outputs (wired- or technique).

NOTE

All common TTL circuits operate with a 5 V power supply. A TTL signal is defined as "low" or L when between 0 V and 0.8 V and "high" or H when between 2.0 V and 5.0 V (with respect to the ground terminal).

Table 11 Remote Signal Distribution

Pin	Signal	Description
1	DGND	Digital ground
2	PREPARE	(L) Request to prepare for analysis (for example, calibration, detector lamp on). Receiver is any module performing pre-analysis activities.
3	START	(L) Request to start run / timetable. Receiver is any module performing run-time controlled activities.
4	SHUT DOWN	(L) System has serious problem (for example, leak: stops pump). Receiver is any module capable to reduce safety risk.
5		Not used
6	POWER ON	(H) All modules connected to system are switched on. Receiver is any module relying on operation of others.
7	READY	(H) System is ready for next analysis. Receiver is any sequence controller.
8	STOP	(L) Request to reach system ready state as soon as possible (for example, stop run, abort or finish and stop injection). Receiver is any module performing run-time controlled activities.
9	START REQUEST	(L) Request to start injection cycle (for example, by start key on any module). Receiver is the autosampler.

Special Interfaces

Some modules have module specific interfaces/connectors. They are described in the module documentation.

Setting the 8-bit Configuration Switch

The 8-bit configuration switch is located at the rear of the module.

This module does not have its own on-board LAN interface. It can be controlled through the LAN interface of another module, and a CAN connection to that module.

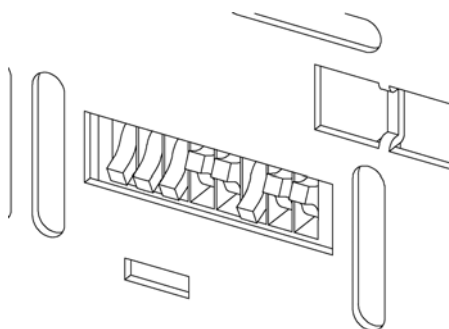


Figure 29 Configuration switch (settings depend on configured mode)

All modules without on-board LAN:

- default should be ALL DIPS DOWN (= best settings)
 - Bootp mode for LAN and
 - 19200 baud, 8 data bit / 1 stop bit with no parity for RS-232
- DIP 1 DOWN and DIP 2 UP allows special RS-232 settings
- for boot/test modes DIPS 1+2 must be UP plus required mode

NOTE

For normal operation use the default (best) settings.

Switch settings provide configuration parameters for serial communication protocol and instrument specific initialization procedures.

NOTE

With the introduction of the Agilent 1260 Infinity, all GPIB interfaces have been removed. The preferred communication is LAN.

NOTE

The following tables represent the configuration switch settings for the modules without on-board LAN only.

Table 12 8-bit Configuration Switch (without on-board LAN)

Mode Select	1	2	3	4	5	6	7	8
RS-232C	0	1	Baudrate			Data Bits	Parity	
Reserved	1	0	Reserved					
TEST/BOOT	1	1	RSVD	SYS		RSVD	RSVD	FC

NOTE

The LAN settings are done on the LAN Interface Card G1369B/C. Refer to the documentation provided with the card.

Communication Settings for RS-232C

The communication protocol used in the column compartment supports only hardware handshake (CTS/RTR).

Switches 1 in down and 2 in up position define that the RS-232C parameters will be changed. Once the change has been completed, the column instrument must be powered up again in order to store the values in the non-volatile memory.

Table 13 Communication Settings for RS-232C Communication (without on-board LAN)

Mode Select	1	2	3	4	5	6	7	8
RS-232C	0	1	Baudrate			Data Bits	Parity	

Use the following tables for selecting the setting which you want to use for RS-232C communication. The number 0 means that the switch is down and 1 means that the switch is up.

13 Hardware Information

Setting the 8-bit Configuration Switch

Table 14 Baudrate Settings (without on-board LAN)

Switches			Baud Rate	Switches			Baud Rate
3	4	5		3	4	5	
0	0	0	9600	1	0	0	9600
0	0	1	1200	1	0	1	14400
0	1	0	2400	1	1	0	19200
0	1	1	4800	1	1	1	38400

Table 15 Data Bit Settings (without on-board LAN)

Switch 6	Data Word Size
0	7 Bit Communication
1	8 Bit Communication

Table 16 Parity Settings (without on-board LAN)

Switches		Parity
7	8	
0	0	No Parity
0	1	Odd Parity
1	1	Even Parity

One start bit and one stop bit are always used (not selectable).

Per default, the module will turn into 19200 baud, 8 data bit with no parity.

Special Settings

The special settings are required for specific actions (normally in a service case).

Boot-Resident

Firmware update procedures may require this mode in case of firmware loading errors (main firmware part).

If you use the following switch settings and power the instrument up again, the instrument firmware stays in the resident mode. It is not operable as a module. It only uses basic functions of the operating system for example, for communication. In this mode the main firmware can be loaded (using update utilities).

Table 17 Boot Resident Settings (without on-board LAN)

Mode Select	SW1	SW2	SW3	SW4	SW5	SW6	SW7	SW8
TEST/BOOT	1	1	0	0	1	0	0	0

Forced Cold Start

A forced cold start can be used to bring the module into a defined mode with default parameter settings.

CAUTION

Loss of data

Forced cold start erases all methods and data stored in the non-volatile memory. Exceptions are calibration settings, diagnosis and repair log books which will not be erased.

→ Save your methods and data before executing a forced cold start.

If you use the following switch settings and power the instrument up again, a forced cold start has been completed.

Table 18 Forced Cold Start Settings (without on-board LAN)

Mode Select	SW1	SW2	SW3	SW4	SW5	SW6	SW7	SW8
TEST/BOOT	1	1	0	0	1	0	0	1

Electrical Connections

- The CAN bus is a serial bus with high speed data transfer. The two connectors for the CAN bus are used for internal module data transfer and synchronization.
- One analog output provides signals for integrators or data handling systems.
- The REMOTE connector may be used in combination with other analytical instruments from Agilent Technologies if you want to use features such as start, stop, common shut down, prepare, and so on.
- With the appropriate software, the RS-232C connector may be used to control the module from a computer through a RS-232C connection. This connector is activated and can be configured with the configuration switch.
- The power input socket accepts a line voltage of 100 – 240 VAC \pm 10 % with a line frequency of 50 or 60 Hz. Maximum power consumption varies by module. There is no voltage selector on your module because the power supply has wide-ranging capability. There are no externally accessible fuses, because automatic electronic fuses are implemented in the power supply.

NOTE

Never use cables other than the ones supplied by Agilent Technologies to ensure proper functionality and compliance with safety or EMC regulations.

Rear view of the module

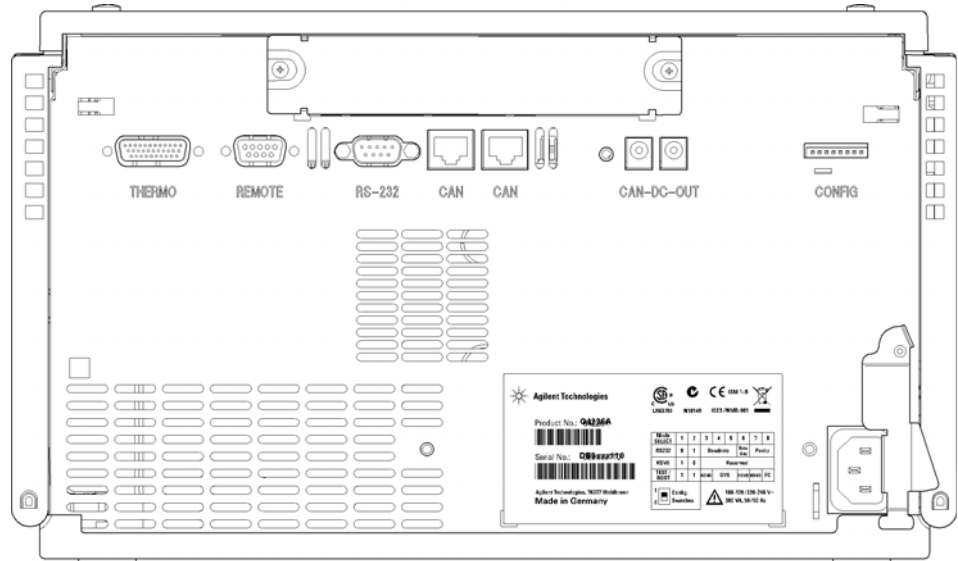


Figure 30 Rear view of the module

Information on Instrument Serial Number

The serial number information on the instrument labels provide the following information:

CCXZZ00000	Format
CC	Country of manufacturing <ul style="list-style-type: none"> • DE = Germany • JP = Japan • CN = China
X	Alphabetic character A-Z (used by manufacturing)
ZZ	Alpha-numeric code 0-9, A-Z, where each combination unambiguously denotes a module (there can be more than one code for the same module)
00000	Serial number

13 Hardware Information

Electrical Connections



14 Appendix

General Safety Information	196
Lithium Batteries Information	199
The Waste Electrical and Electronic Equipment (WEEE) Directive (2002/96/EC)	200
Radio Interference	201
Sound Emission	202
Solvent Information	203
Agilent Technologies on Internet	205

This chapter provides addition information on safety, legal and web.



General Safety Information

The following general safety precautions must be observed during all phases of operation, service, and repair of this instrument. Failure to comply with these precautions or with specific warnings elsewhere in this manual violates safety standards of design, manufacture, and intended use of the instrument. Agilent Technologies assumes no liability for the customer's failure to comply with these requirements.

WARNING

Ensure the proper usage of the equipment.

The protection provided by the equipment may be impaired.

→ The operator of this instrument is advised to use the equipment in a manner as specified in this manual.

Safety Standards

This is a Safety Class I instrument (provided with terminal for protective earthing) and has been manufactured and tested according to international safety standards.

Operation

Before applying power, comply with the installation section. Additionally the following must be observed.

Do not remove instrument covers when operating. Before the instrument is switched on, all protective earth terminals, extension cords, auto-transformers, and devices connected to it must be connected to a protective earth via a ground socket. Any interruption of the protective earth grounding will cause a potential shock hazard that could result in serious personal injury. Whenever it is likely that the protection has been impaired, the instrument must be made inoperative and be secured against any intended operation.

Make sure that only fuses with the required rated current and of the specified type (normal blow, time delay, and so on) are used for replacement. The use of repaired fuses and the short-circuiting of fuse holders must be avoided.

Some adjustments described in the manual, are made with power supplied to the instrument, and protective covers removed. Energy available at many points may, if contacted, result in personal injury.

Any adjustment, maintenance, and repair of the opened instrument under voltage should be avoided whenever possible. When inevitable, this has to be carried out by a skilled person who is aware of the hazard involved. Do not attempt internal service or adjustment unless another person, capable of rendering first aid and resuscitation, is present. Do not replace components with power cable connected.

Do not operate the instrument in the presence of flammable gases or fumes. Operation of any electrical instrument in such an environment constitutes a definite safety hazard.






Do not install substitute parts or make any unauthorized modification to the instrument.

Capacitors inside the instrument may still be charged, even though the instrument has been disconnected from its source of supply. Dangerous voltages, capable of causing serious personal injury, are present in this instrument. Use extreme caution when handling, testing and adjusting.

When working with solvents, observe appropriate safety procedures (for example, goggles, safety gloves and protective clothing) as described in the material handling and safety data sheet by the solvent vendor, especially when toxic or hazardous solvents are used.

Safety Symbols

Table 19 Safety Symbols

Symbol	Description
	The apparatus is marked with this symbol when the user should refer to the instruction manual in order to protect risk of harm to the operator and to protect the apparatus against damage.
	Indicates dangerous voltages.
	Indicates a protected ground terminal.
	Indicates eye damage may result from directly viewing the light produced by the deuterium lamp used in this product.
	The apparatus is marked with this symbol when hot surfaces are available and the user should not touch it when heated up.

WARNING

A WARNING

alerts you to situations that could cause physical injury or death.

- Do not proceed beyond a warning until you have fully understood and met the indicated conditions.

CAUTION

A CAUTION

alerts you to situations that could cause loss of data, or damage of equipment.

- Do not proceed beyond a caution until you have fully understood and met the indicated conditions.

Lithium Batteries Information

WARNING

Lithium batteries may not be disposed-off into the domestic waste. Transportation of discharged Lithium batteries through carriers regulated by IATA/ICAO, ADR, RID, IMDG is not allowed.

Danger of explosion if battery is incorrectly replaced.

- Discharged Lithium batteries shall be disposed off locally according to national waste disposal regulations for batteries.
- Replace only with the same or equivalent type recommended by the equipment manufacturer.



WARNING

Lithiumbatteri - Eksplosionsfare ved fejlagtig håndtering.

Udskiftning må kun ske med batteri af samme fabrikat og type.

- Lever det brugte batteri tilbage til leverandøren.

WARNING

Lithiumbatteri - Eksplosionsfare.

Ved udskiftning benyttes kun batteri som anbefalt av apparatfabrikanten.

- Brukt batteri returneres apparatleverandøren.

NOTE

Bij dit apparaat zijn batterijen geleverd. Wanneer deze leeg zijn, moet u ze niet weggooien maar inleveren als KCA.

The Waste Electrical and Electronic Equipment (WEEE) Directive (2002/96/EC)

Abstract

The Waste Electrical and Electronic Equipment (WEEE) Directive (2002/96/EC), adopted by EU Commission on 13 February 2003, is introducing producer responsibility on all Electric and Electronic appliances from 13 August 2005.

NOTE



This product complies with the WEEE Directive (2002/96/EC) marking requirements. The affixed label indicates that you must not discard this electrical/electronic product in domestic household waste.

Product Category: With reference to the equipment types in the WEEE Directive Annex I, this product is classed as a "Monitoring and Control instrumentation" product.

Do not dispose off in domestic household waste

To return unwanted products, contact your local Agilent office, or see www.agilent.com for more information.

Radio Interference

Never use cables other than the ones supplied by Agilent Technologies to ensure proper functionality and compliance with safety or EMC regulations.

Test and Measurement

If test and measurement equipment is operated with equipment unshielded cables and/or used for measurements on open set-ups, the user has to assure that under operating conditions the radio interference limits are still met within the premises.

Sound Emission

Manufacturer's Declaration

This statement is provided to comply with the requirements of the German Sound Emission Directive of 18 January 1991.

This product has a sound pressure emission (at the operator position) < 70 dB.

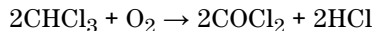
- Sound Pressure $L_p < 70$ dB (A)
- At Operator Position
- Normal Operation
- According to ISO 7779:1988/EN 27779/1991 (Type Test)

Solvent Information

Use of Solvents

Observe the following recommendations on the use of solvents.

- Brown glass ware can avoid growth of algae.
- Avoid the use of the following steel-corrosive solvents:
 - Solutions of alkali halides and their respective acids (for example, lithium iodide, potassium chloride, and so on),
 - High concentrations of inorganic acids like sulfuric acid and nitric acid, especially at higher temperatures (if your chromatography method allows, replace by phosphoric acid or phosphate buffer which are less corrosive against stainless steel),
 - Halogenated solvents or mixtures which form radicals and/or acids, for example:



This reaction, in which stainless steel probably acts as a catalyst, occurs quickly with dried chloroform if the drying process removes the stabilizing alcohol,

- Chromatographic grade ethers, which can contain peroxides (for example, THF, dioxane, di-isopropylether) such ethers should be filtered through dry aluminium oxide which adsorbs the peroxides,
- Solvents containing strong complexing agents (e.g. EDTA),
- Mixtures of carbon tetrachloride with 2-propanol or THF.

Use of Solvents with Agilent 1260 Infinity Bio-inert LC systems

Observe the following recommendations on the use of solvents with Agilent 1260 Infinity Bio-inert LC systems.

- Brown glass ware can avoid growth of algae.
- Small particles can permanently block capillaries and valves. Therefore always filter solvents through 0.4 µm filters.

Do not use solvents or samples which are not compatible with materials in the flow path (see in this manual "Bio-inert materials" and "Solvent information for parts of the 1260 Infinity Bio-inert LC system").

Agilent Technologies on Internet

For the latest information on products and services visit our worldwide web site on the Internet at:

<http://www.agilent.com>

Select Products/Chemical Analysis

It will provide also the latest firmware of the modules for download.

Index

8

8-bit configuration switch
without On-Board LAN 188

A

accessory kit 33, 158
Agilent Diagnostic software 84
Agilent Lab Advisor software 84
Agilent Lab Advisor 84
Agilent
on internet 205
algae 203, 204
ambient non-operating temperature 27
ambient operating temperature 27
analog signal 186
analog
cable 166
apg remote 186
arm 119
position 119
automated delay volume reduction 76

B

battery
safety information 199
BCD
cable 171
bench space 26
bio-inert 126
materials 11

C

cable

analog 166
BCD 171
CAN 173
connecting APG remote 38
connecting CAN 38
connecting LAN 38
connecting the ChemStation 38
connecting the power 38
external contact 174
LAN 173
remote 168
RS-232 175

cables

analog 164
BCD 164
CAN 165
LAN 165
overview 164
remote 164
RS-232 165

CAN

cable 173

carryover 76

cautions and warnings 125

cleaning 128

Communication settings

RS-232C 189

compensation sensor open 92

compensation sensor short 92

condensation 26

configuration

one stack 35

two stack 37

D

defect on arrival 32
delay volume
description 66
delivery checklist 32
Diagnostic software 84
dimensions 27

E

electrical connections
descriptions of 192
electrostatic discharge (ESD) 150
EMF
early maintenance feedback 21
error messages
initialization failed 103
lost CAN partner 90
metering home failed 104
motor temperature 105
peristaltic pump error 107
rear blind seat missing 109
remote timeout 89
valve to bypass failed 97
valve to mainpass failed 98
vessel stuck to needle 108
error messages
arm movement 96
autosampler 94
compensation sensor open 92
compensation sensor short 92
fan failed 93
front door error 95
invalid vial position 106
leak sensor open 91
leak sensor short 91

- leak 90
- missing vial 102
- needle lock failed 99
- needle to needle seat position 100
- shutdown 89
- timeout 88
- vessel error 108

external contact

- cable 174

extra-column volume 66

F

fan failed 93

firmware

- description 178
- main system 178
- resident system 178
- update tool 179
- updates 151, 178, 151
- upgrade/downgrade 151
- upgrade/downgrade 151

frequency range 27

G

general error messages 88

H

humidity 27

I

injection volume

- achieving higher volumes 69

injector

- steps 121

installation

- bench space 26
- power considerations 24

instrument layout 22

interfaces 182

internet 205

L

LAN

- cable 173

leak sensor open 91

leak sensor short 91

leak 90

line frequency 27

line voltage 27

lithium batteries 199

loop capillary

- change 118

lost CAN partner 90

M

maintenance

- feedback 21
- overview 154, 127
- positions 117
- removing the needle assembly 129
- replacing firmware 151, 151

materials

- bio-inert 11

message

- remote timeout 89

metering device

- change 120

N

needle carrier

- change 119

needle

- change 118

non-operating altitude 27

non-operating temperature 27

O

operating Altitude 27

operating temperature 27

optimization

- achieving higher sensitivity 75
- achieving higher resolution 72
- achieving lowest carryover 76
- column use 75
- injection volumes 69
- stack configuration 34

P

packaging

- damaged 32

parts identification

- cables 163

physical specifications 27

power consumption 27

power supply indicator 81

power considerations 24

power cords 25

power switch 39

principle

- autosampler 15

R

remote

- cable 168

repairs

- cautions and warnings 125
- replacing firmware 151, 151

resolution

- Optimization 72

RS-232C

- cable 175
- communication settings 189

Index

S

- safety class I 196
- safety information
 - lithium batteries 199
- safety
 - general information 196
 - standards 27
 - symbols 198
- sensitivity
 - optimization 75
- serial number
 - information 193
- shutdown 89
- site requirements
 - power cords 25
- solvent information 49
- solvents 203, 204
- special interfaces 187
- special settings
 - boot-resident 191
 - forced cold start 191
- specification
 - physical 27
- stack configuration 38
 - rear view 38
- status indicator 82
- steps
 - injector 121
- step
 - commands 122
- system setup and installation
 - optimizing stack configuration 34

T

- temperature sensor 90
- test functions 80
- timeout 88
- troubleshooting
 - error messages 87, 80

- status indicators 80, 81

V

- vial trays 155
- voltage range 27

W

- warnings and cautions 125
- weight 27

www.agilent.com

In This Book

This manual contains technical information about the Agilent 1260 Infinity Bio-inert High Performance Autosampler G5667A.

- introduction and specifications,
- installation,
- using and optimizing,
- troubleshooting and diagnose,
- maintenance,
- parts identification,
- hardware information,
- safety and related information.

© Agilent Technologies 2011-2012

Printed in Germany
05/2012



G5667-90001 Rev. B



Agilent Technologies