

Agilent 1220 Infinity

Walk-up Kit

Technical Note

General Information

In this note we describe how to install the external tray for an Agilent 1220 Infinity LC.

The upgrade kit comes with a side cover with an opening and an external tray which can be installed into the tray support of the autosampler.

The additional tray contains 17 vial and 1 vial dump position.



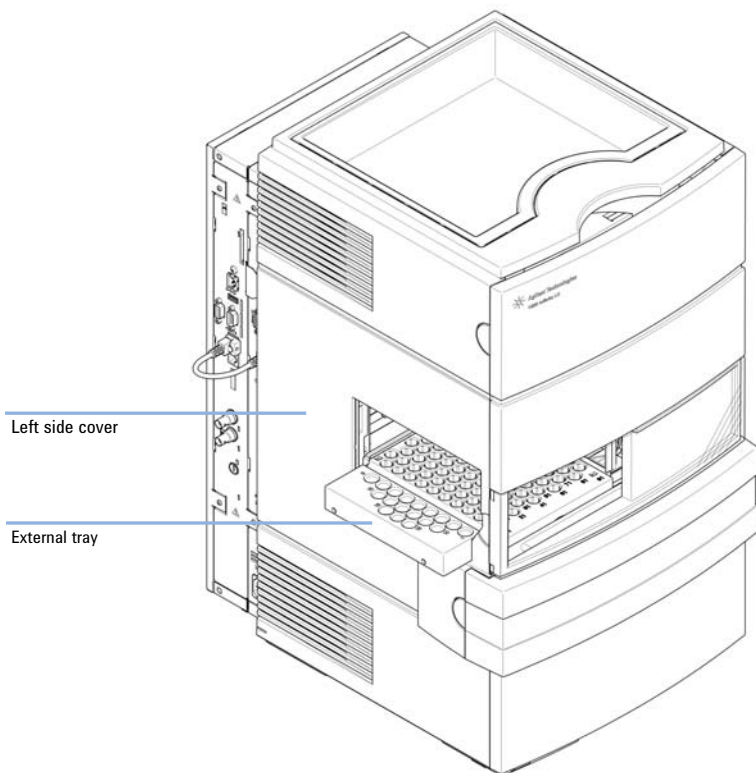


Figure 1 Agilent 1220 Infinity LC with attached external tray.

System Requirements

Software and Firmware

Modules	OpenLAB CDS ChemStation Edition	OpenLAB CDS EZChrom Edition	Easy Access
G4294B	C.01.04	A.04.04	B.04.00
G4290B	C.01.04	A.04.04	B.04.00

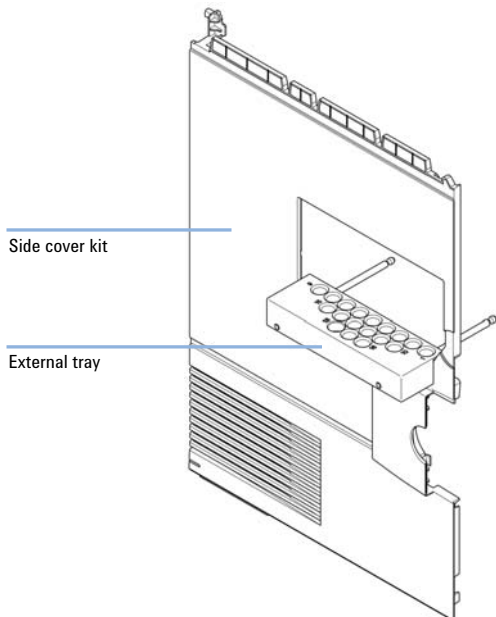
Minimum firmware revision is B.06.32.

Delivery Checklist

Make sure all parts and materials have been delivered. The delivery checklist is shown below. Please report missing or damaged parts to your local Agilent Technologies sales and service office.

Delivered parts (Walk-up kit for Agilent 1220 Infinity LC (p/n G4291-68000)):

p/n	Description
G1313-60004	External tray
G4280-60056	Side cover kit, walk-up
G1313-27302	Disposal tube



Installing the External Tray

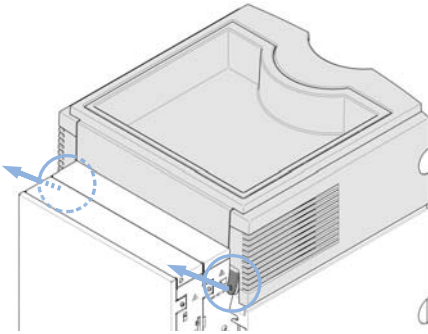
WARNING

Sharp metal edges

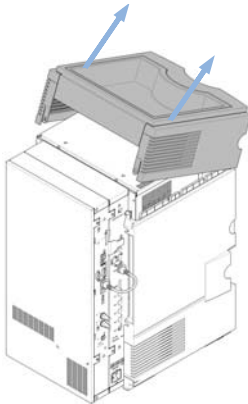
Sharp-edged parts of the equipment may cause injuries.

→ To prevent personal injury, be careful when getting in contact with sharp metal areas.

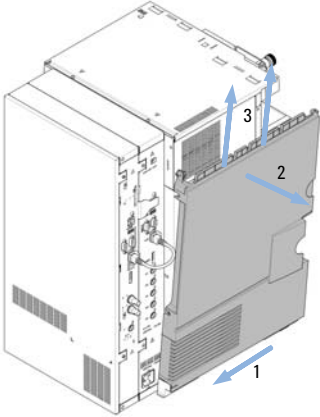
- 1 Remove all solvent bottles from the solvent bottle cabinet.
- 2 Lift the two clips at the rear of the instrument to remove the top cover.



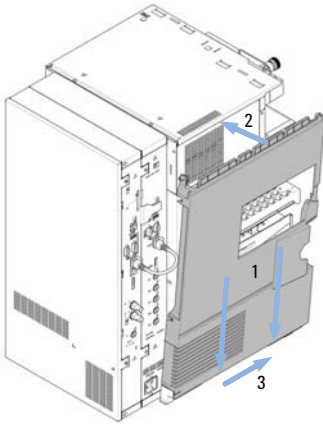
- 3 Remove the top cover.



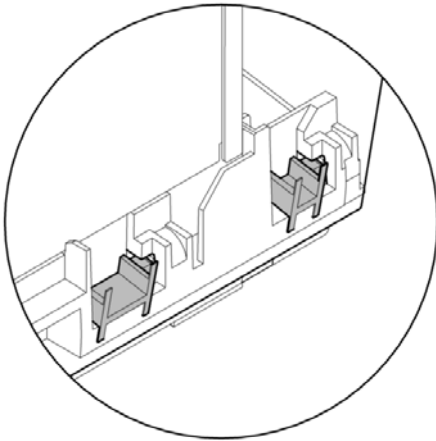
4 Remove the left side cover by pushing it carefully towards the rear (1) to get it out of the holders at the bottom plate and the metal frame. Once it is free of the holders, you can swing it towards the side (2) and pull it finally out (3).



5 Take the new side cover with the open area, fit it into the holders (see detail view below) at the bottom plate (1) and swing it to the metal cover (2). Push the side cover to the front (3) and verify that the holders on the metal plate catch the side cover correctly.



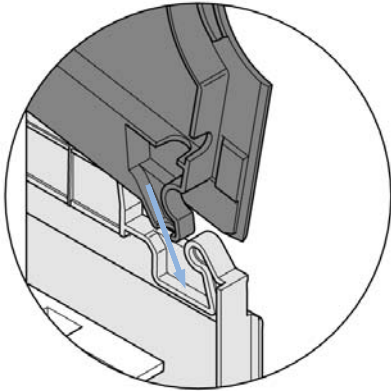
Detail View of the holder mechanism between side cover and bottom plate:



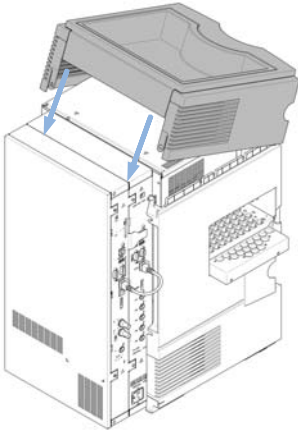
6 Hook in the top cover at the front first.

NOTE

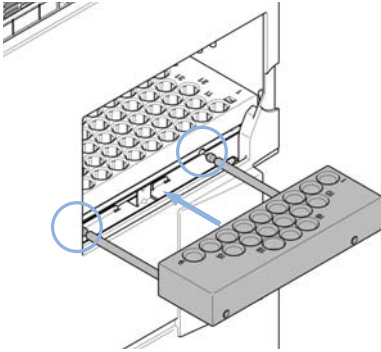
Pay attention to the capillary connected at the pump's outlet ball valve.



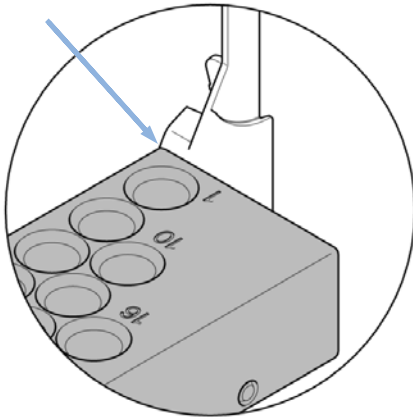
7 Carefully swing down the top cover to lock into the rear clips.



- 8** Install the external tray to the module by attaching the fixing rods (attached to it) into the two holes on the left side of the autosampler until you hear a click.



- 9** Verify the position of the tray and correct it if necessary. It has to be flush with the inner side of the side cover.



G4291-90000

Part Number:
G4291-90000

Edition: 04/2012
Printed in Germany

© Agilent Technologies, Inc 2012

Agilent Technologies, Inc
Hewlett-Packard-Strasse 8
76337 Waldbronn, Germany